

Bed Frame with Shelves & Drawers

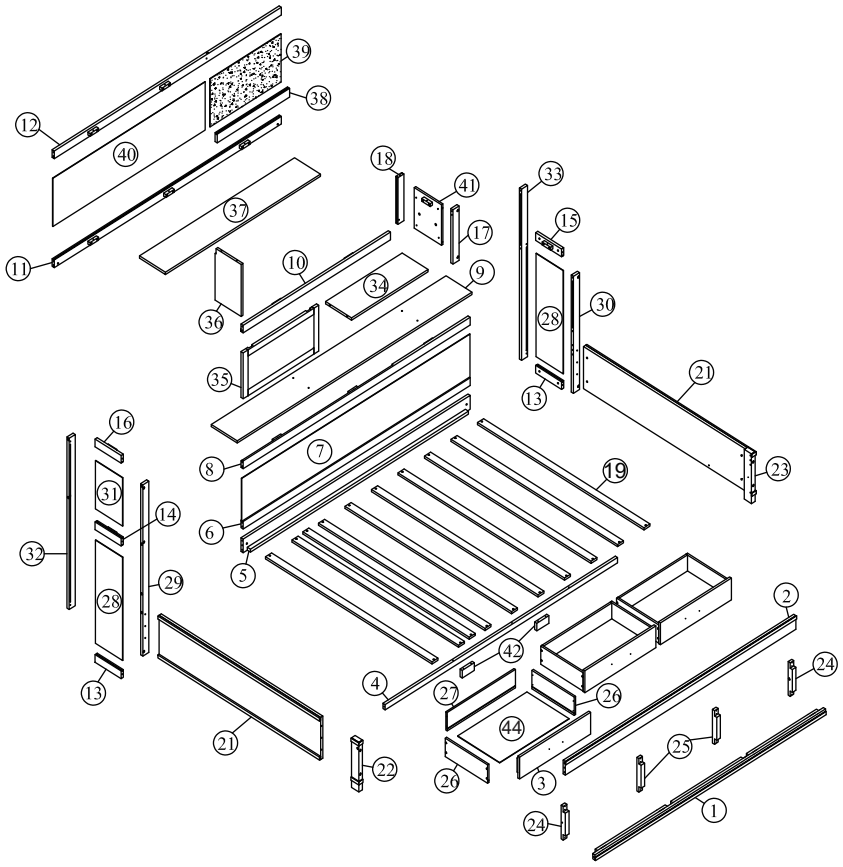
HU10891-T

THIS INSTRUCTION BOOKLET CONTAINS **IMPORTANT** SAFETY INFORMATION.
PLEASE READ AND KEEP FOR FUTURE REFERENCE.



Before You Start

- ⚠ Please read all instructions carefully.
- ⚠ Retain instructions for future reference.
- ⚠ Separate and count all parts and hardware.
- ⚠ Read through each step carefully and follow the proper order.
- ⚠ We recommend that, where possible, all items are assembled near to the area in which they will be placed in use, to avoid moving the product unnecessarily once assembled.
- ⚠ Always place the product on a flat, steady and stable surface.
- ⚠ Keep all small parts and packaging materials for this product away from babies and children as they potentially pose a serious choking hazard.



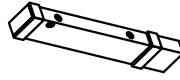
Part List (Box 1)

②1 X2



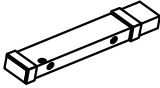
Footboard

②2 X1



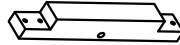
Right (front) post leg at footboard

②3 X1



Right (back) post leg at footboard

②4 X2



Left & Right wood bar

②5 X2



Middle wood bar

②6 X6



Side drawers

②7 X3



Back drawers

④4 X3



Bottom drawers

②9 X1



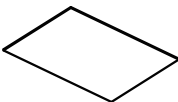
Left leg at headboard

③0 X1



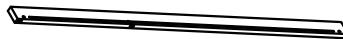
Leg post at footboard

③1 X1



Top panel at headboard

③2 X1



Back post at headboard

Part List (Box 1)

33 X1



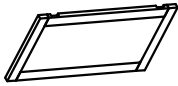
Back post leg at footboard

34 X1



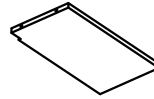
Small shelf at side rail

35 X1



Door

36 X1



Panel

37 X1



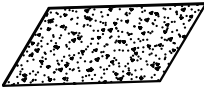
Bottom panel at side rail

38 X1



Wood bar

39 X1



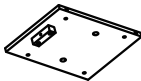
Cork board (bulletin board)

40 X1



Panel at side rail

41 X1



Panel at side rail

42 X2



Support wood at side rail

Part List (Box 2)

① X1



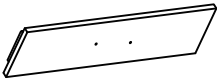
Wood bar under drawers

② X1



Right side rail

③ X3



Front drawers

④ X1



Wood bar at side rail

⑤ X1



Left side rail

⑥ X1



Bottom wood bar with groove

⑦ X1



Bottom panel of side rail

⑧ X1



Top wood bar with groove

⑨ X1



Big shelf of side rail

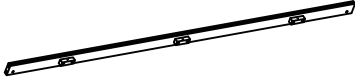
⑩ X1



Bottom wood bar at side rail

Part List (Box 2)

⑪ X1



Bottom wood bar of side rail

⑫ X1



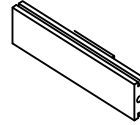
Top wood bar of rail

⑬ X2



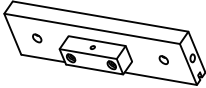
Wood bar at headboard

⑭ X1



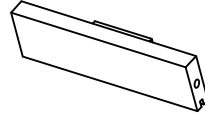
Wood bar with groove

⑮ X1



Wood bar with groove

⑯ X1



Wood bar at headboard

⑰ X1



Front wood bar at side rail

⑱ X1



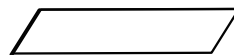
Back wood bar at side rail

⑲ X10



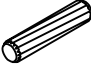









Slats

⑳ X2

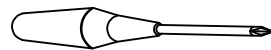


Panel at headboard













Hardware List (Box 1)

(A)		Dowel Ø8*30mm	x37
(B)		Screws M6*45mm	x2
(C)		Bolts M6*100mm	x4
(D)		Bolts M6*90mm	x12
(E)		Bolts M6*70mm	x6
(G)		Cross dowel M6*13mm	x22
(H)		Cross dowel Ø10*10mm	x15
(I)		Flat head screw #8*60mm	x20
(J)		Flat head screw #8*30mm	x20
(K)		Flat head screw #8*25mm	x57

**ASSEMBLY TOOLS REQUIRED
(NOT INCLUDED)**



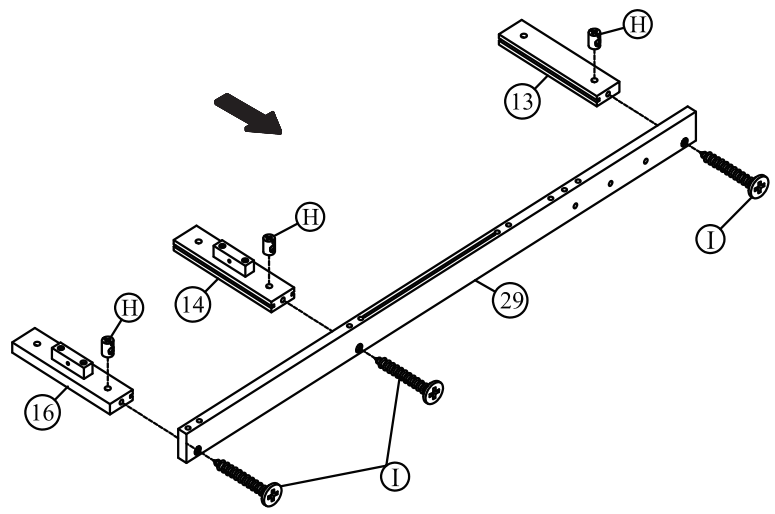
Hardware List (Box 1)



L		Flat head screw #8*15mm	x3
M		Flat head screw #7*12mm	x16
N		Sliding Rails	x3
O		Sliding Rails	x3
X		Flat head screw #7*12mm	x15
Q		Hinge L	x3
R		Allen key 60*22*4mm	x1
W		Flat head screw #8*50mm	x4
Y		Handle	x3
T		Sliding Door Roller	x2
U		Sliding Door Roller	x2
Z		Flat head screw #8*40mm	x2

**ASSEMBLY TOOLS REQUIRED
(NOT INCLUDED)**

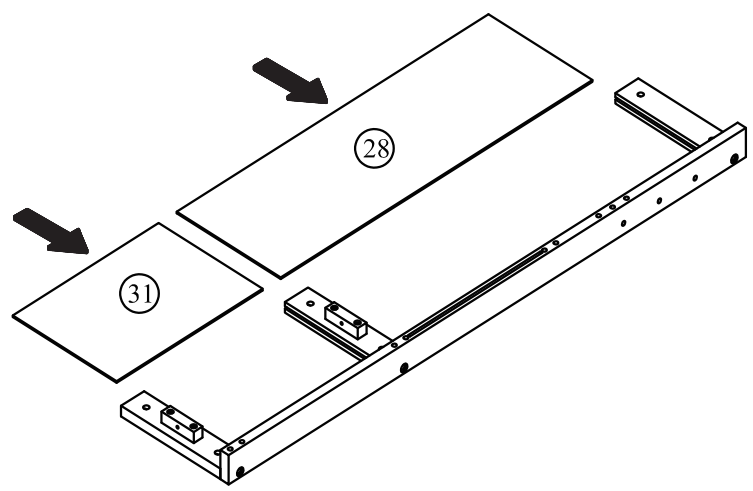


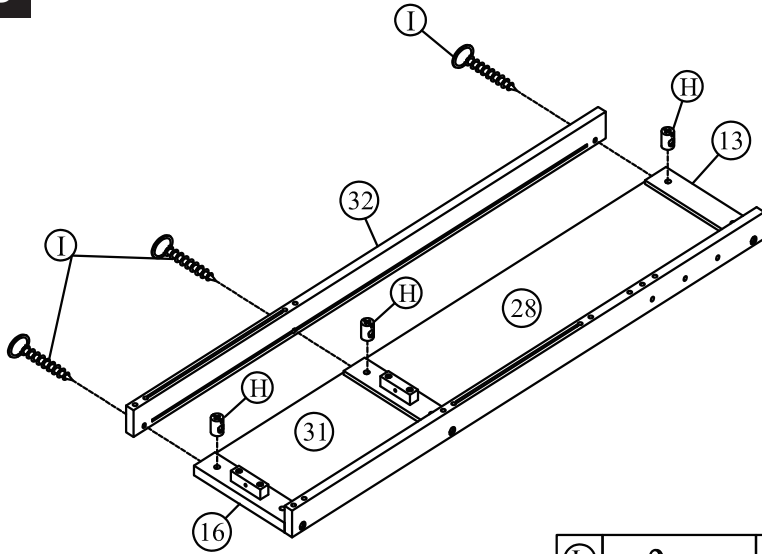
1





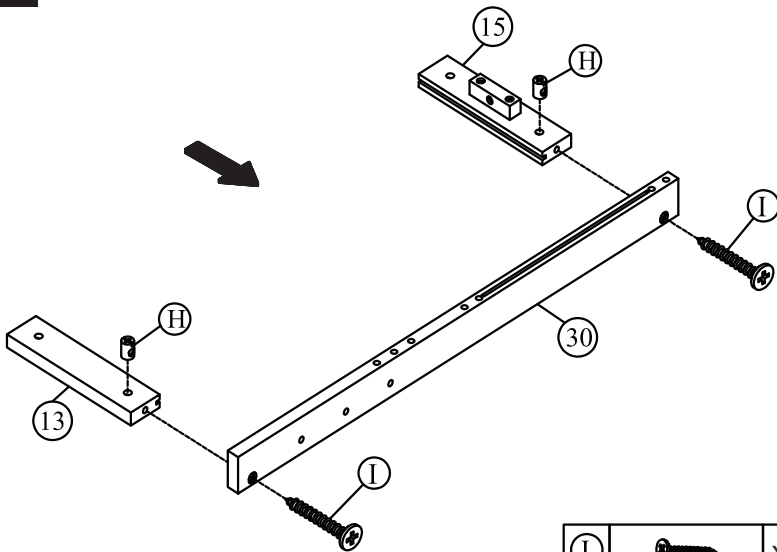
(I)		x3
(H)		x3



2



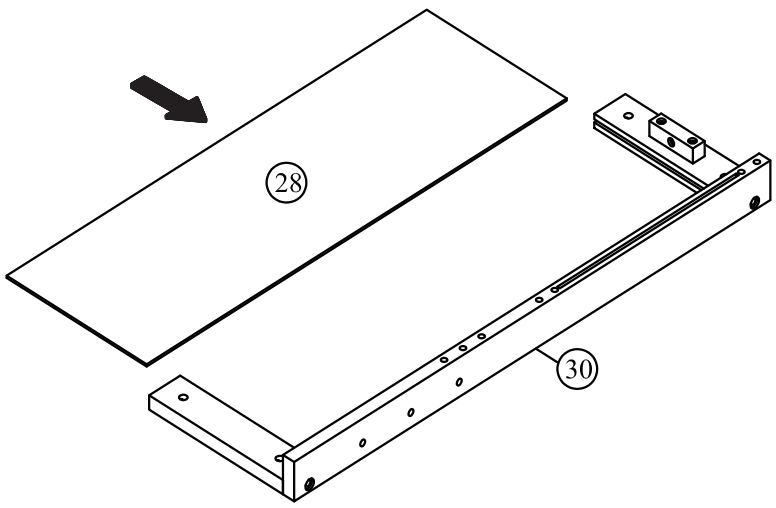
3

(I)		x3
(H)		x3

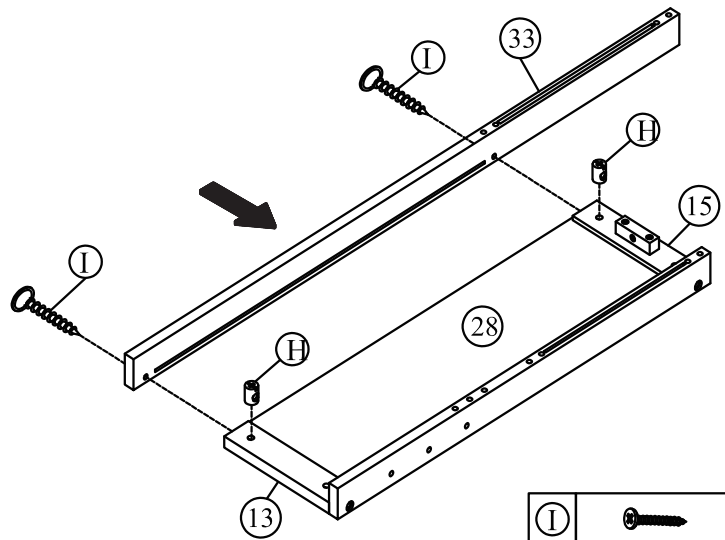
4



(I)		x2
(H)		x2

5

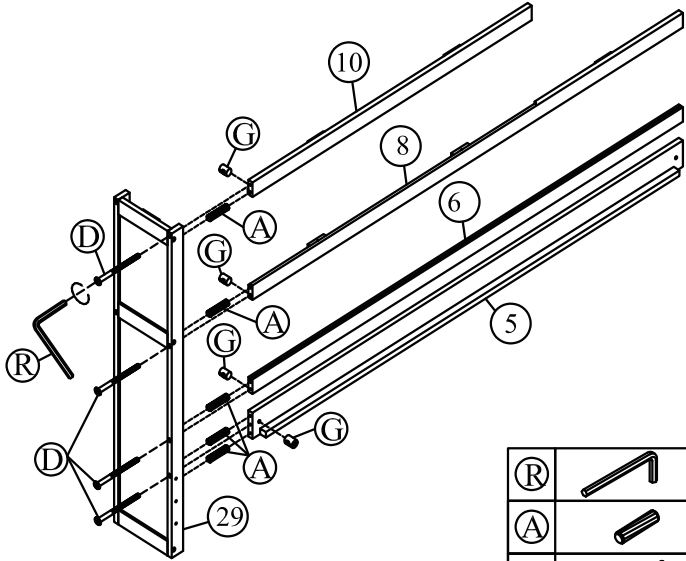


6



(I)		x2
(H)		x2

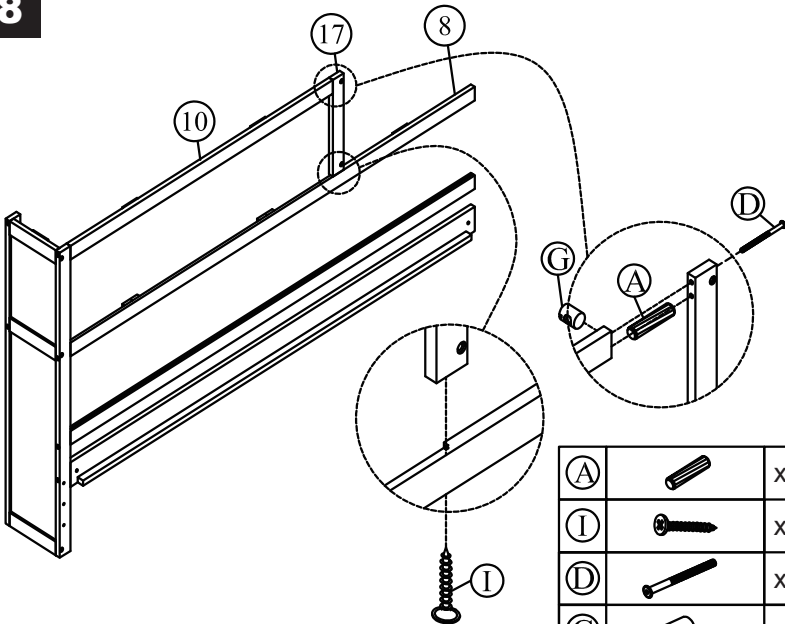
7



(R)		x1
(A)		x5
(D)		x4
(G)		x4

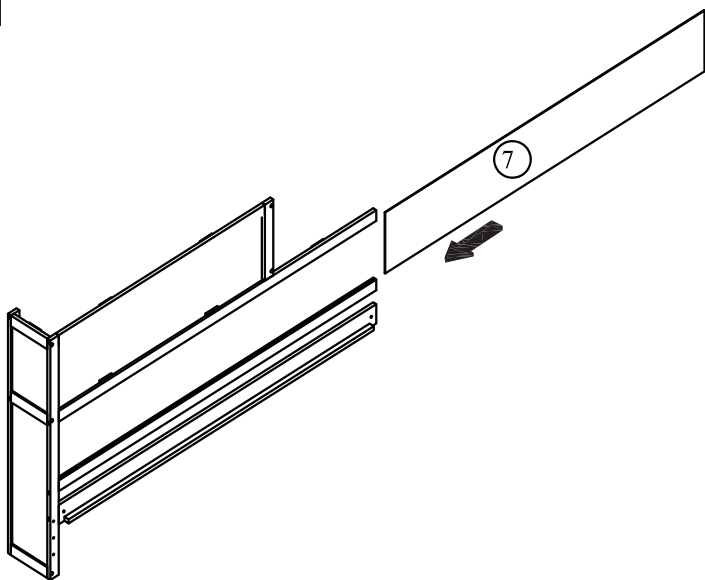
Note: Do not lock the bolt.

8

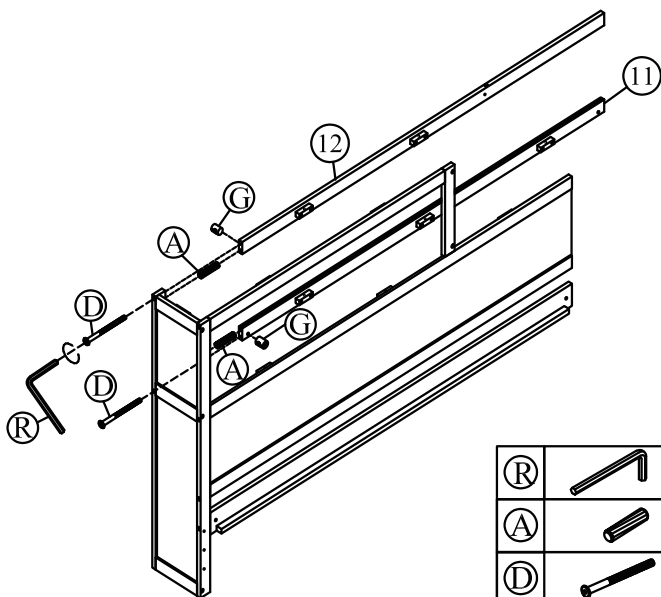






(A)		x1
(I)		x1
(D)		x1
(G)		x1

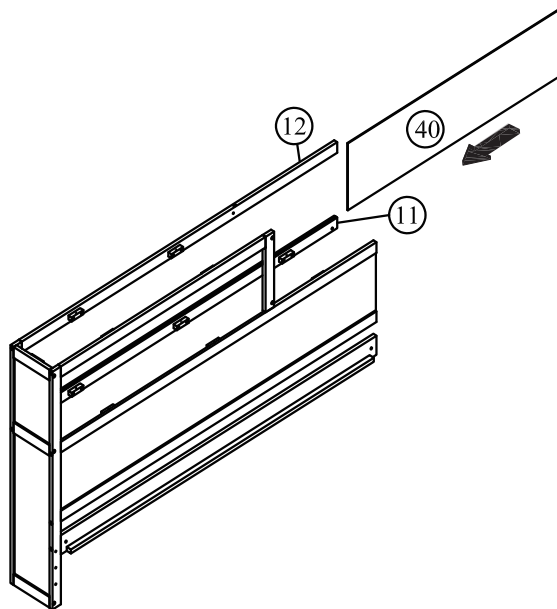
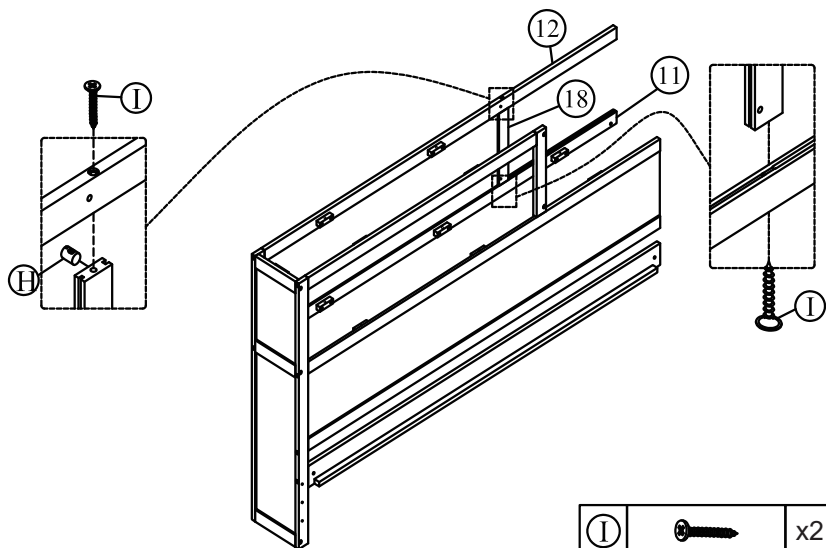
9





10

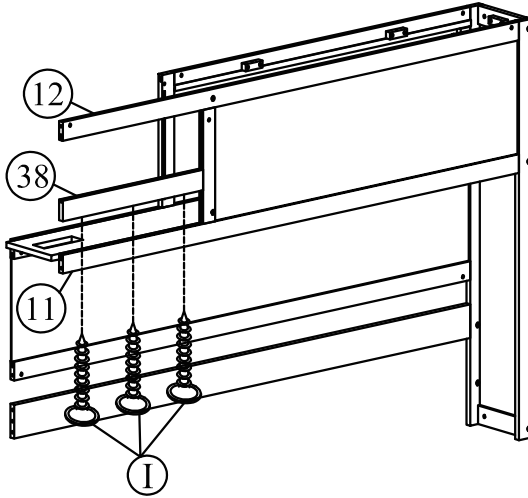


Ⓡ		x1
Ⓐ		x2
Ⓓ		x2
Ⓒ		x2

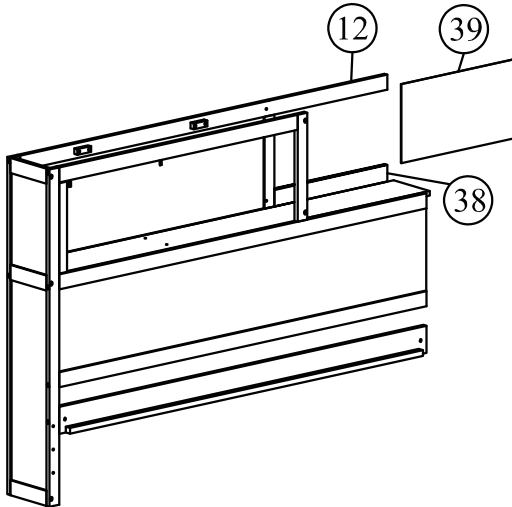
11**12**

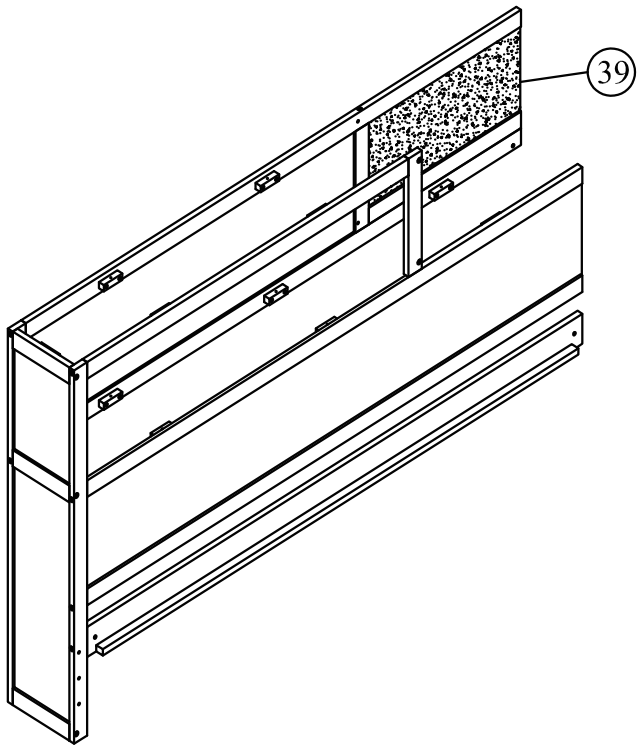
(I)		x2
(H)		x1

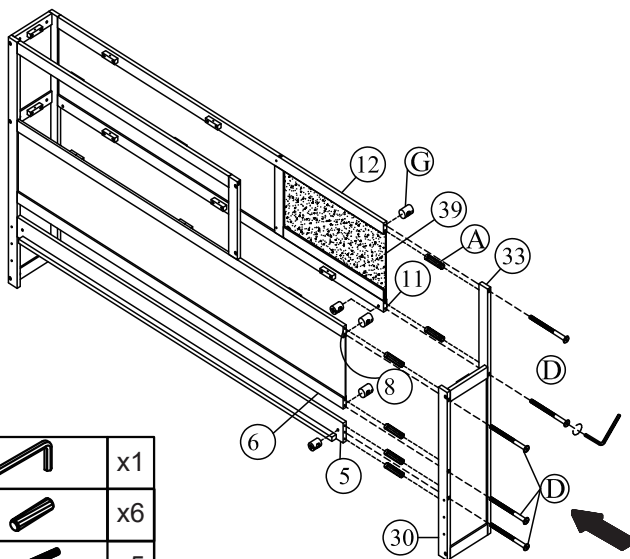
13



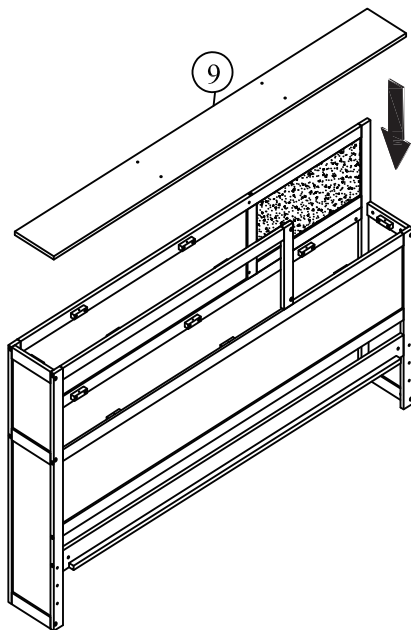
13.1





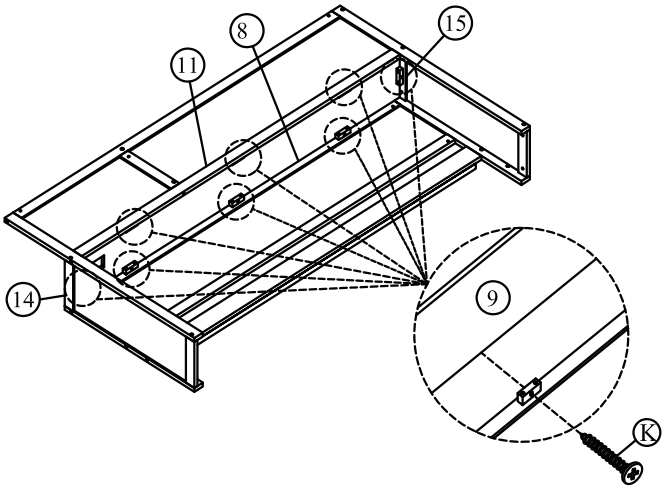
15

Ⓜ		x1
Ⓐ		x6
Ⓓ		x5
Ⓒ		x5

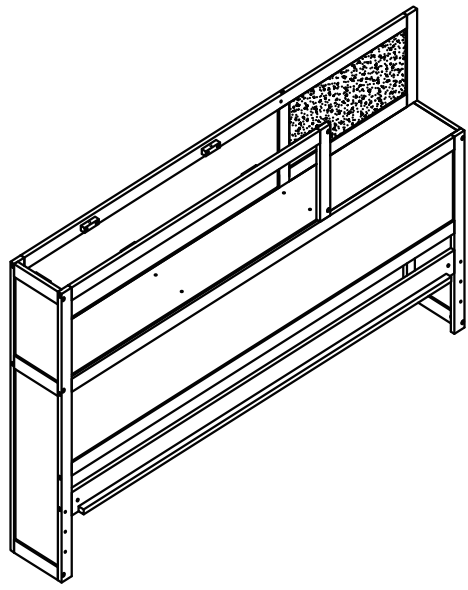
16

17

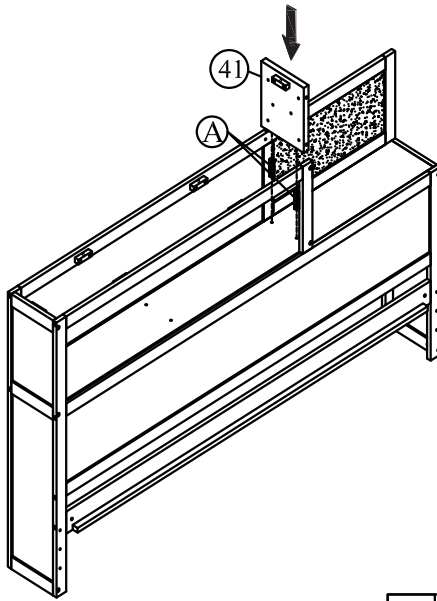
		x8
---	---	----



18

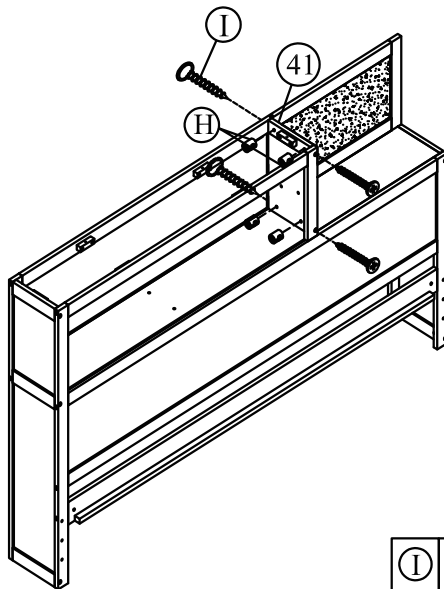




19



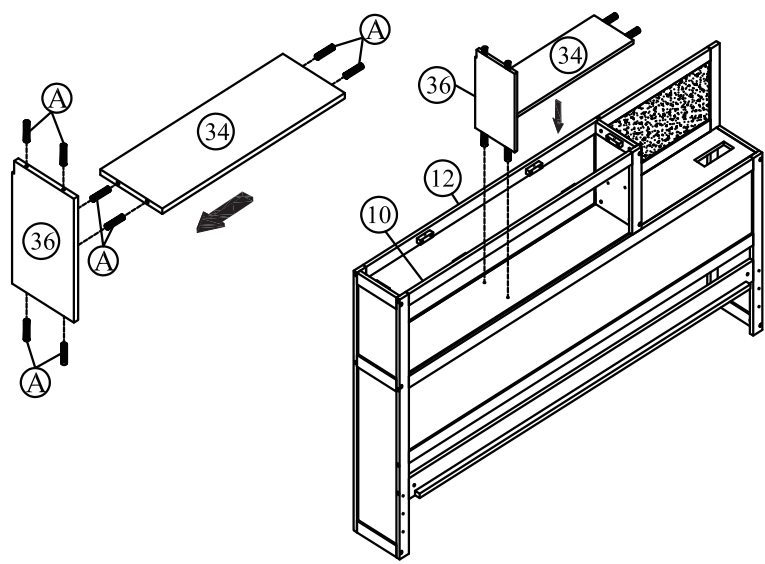
(A)		x2
-----	---	----

20



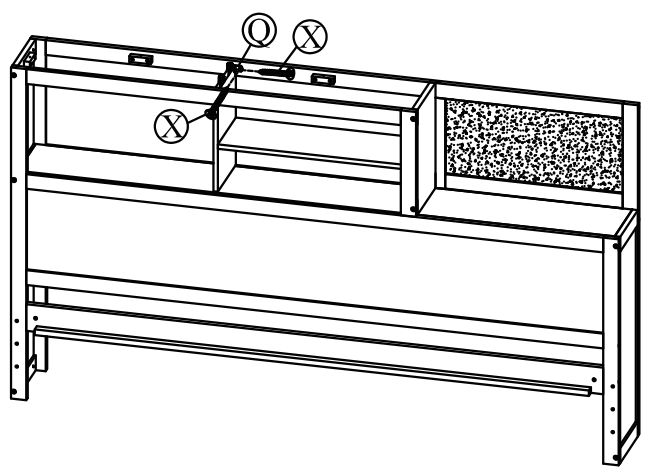
(I)		x4
(H)		x4



21



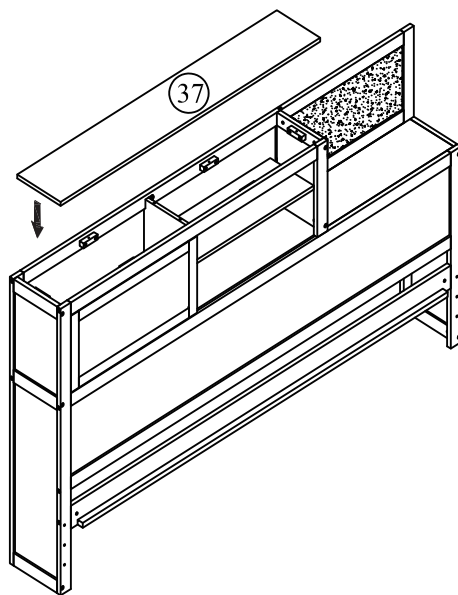
(A)		x8
-----	---	----

22

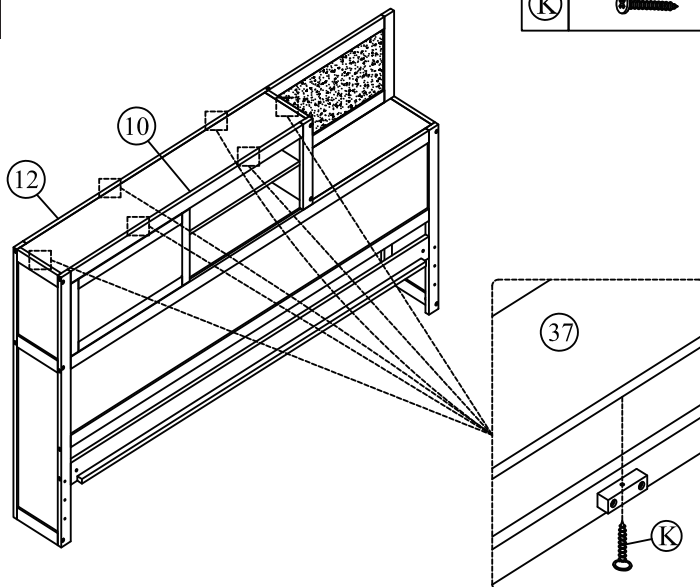
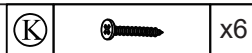


(X)		x2
(O)		x1

23






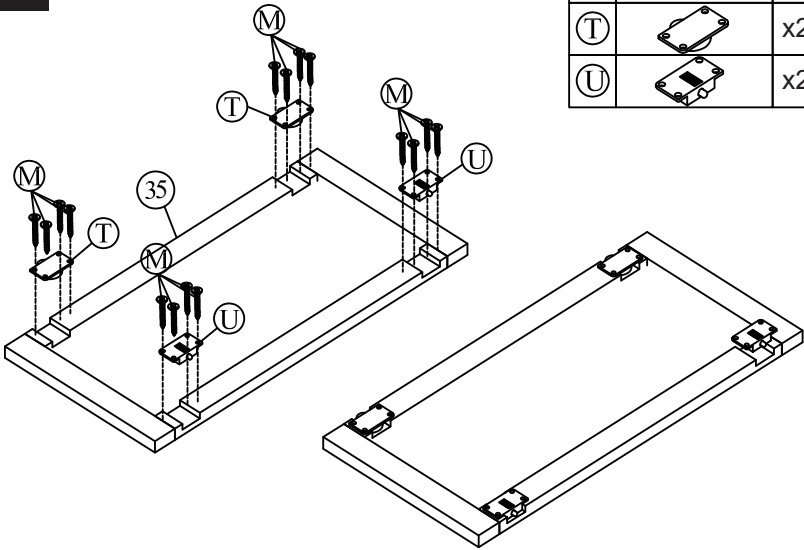
24



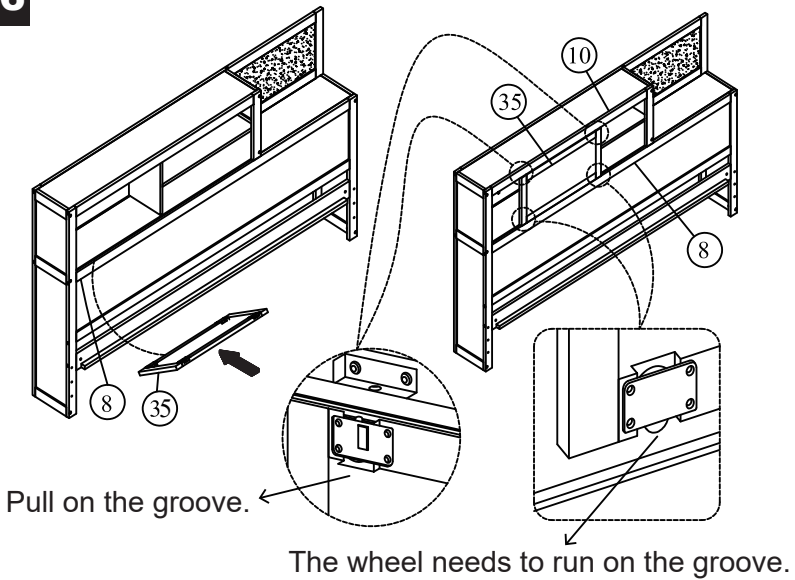
Note: Lock the bolt.

25

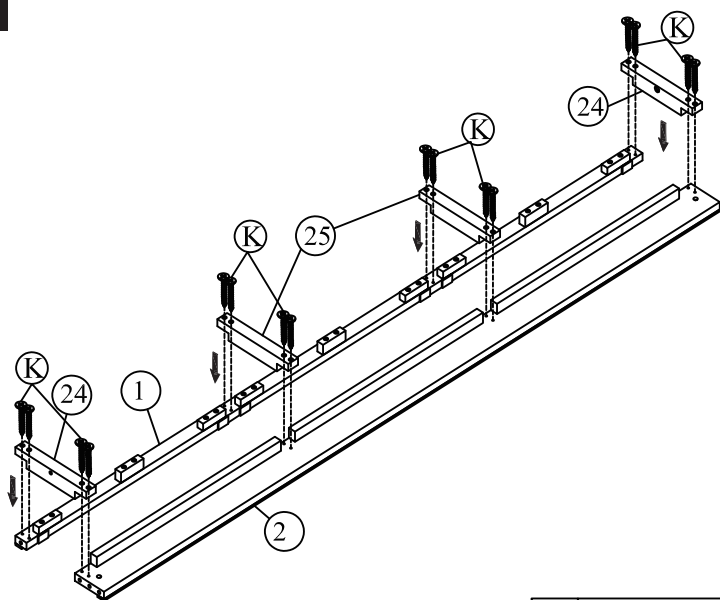
(M)		x16
(T)		x2
(U)		x2




26

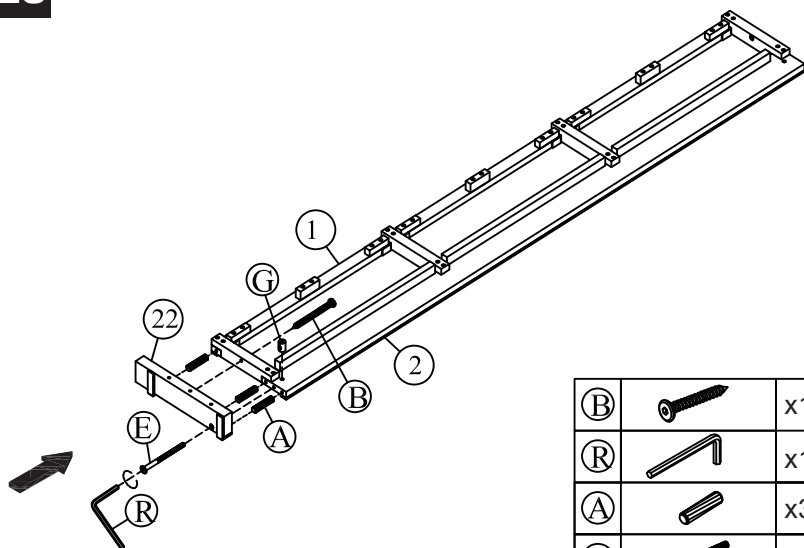







27

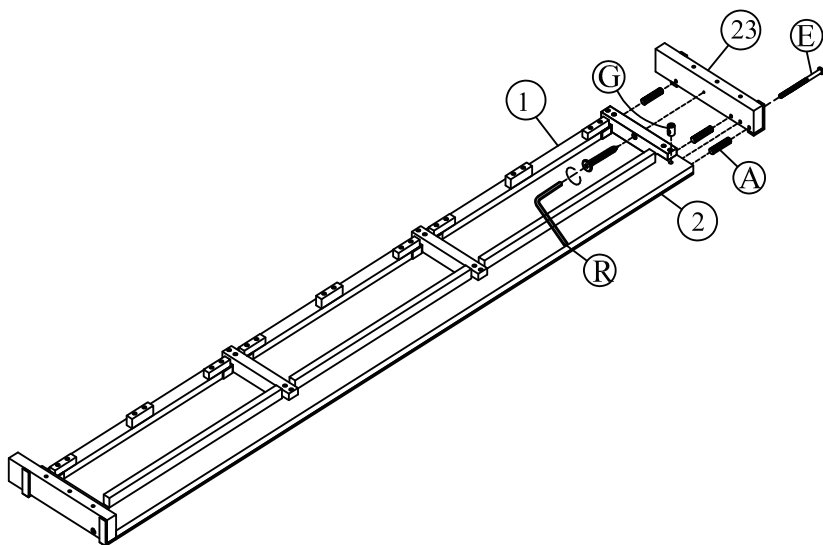







(K)		x16
-----	---	-----

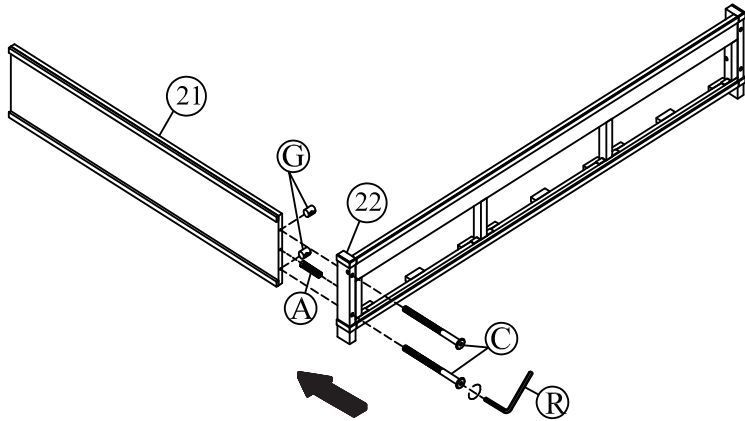
28







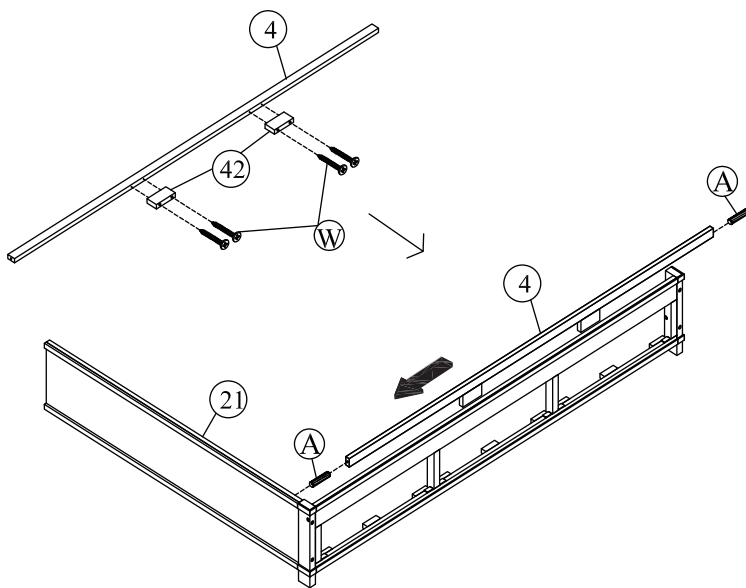
(B)		x1
(R)		x1
(A)		x3
(E)		x1
(G)		x1





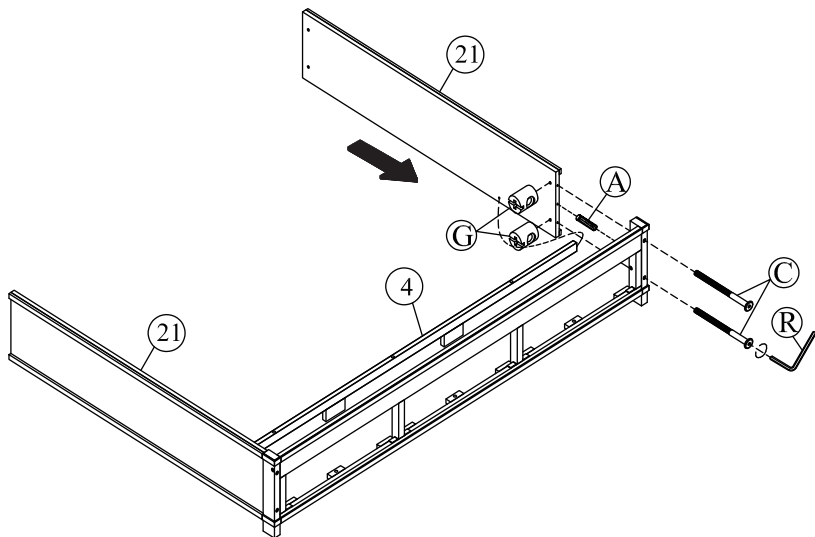
(B)		x1
(R)		x1
(A)		x3
(E)		x1
(G)		x1



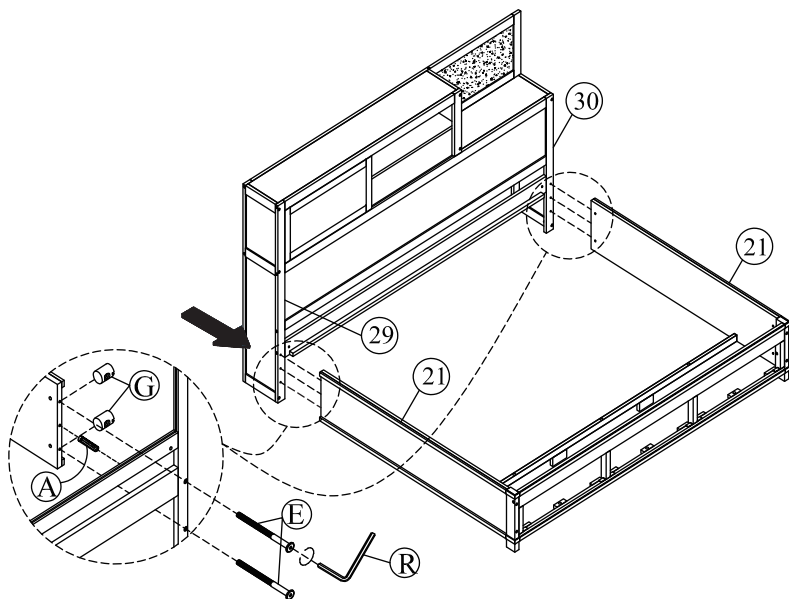
Ⓡ		x1
Ⓐ		x1
Ⓒ		x2
ⓖ		x2







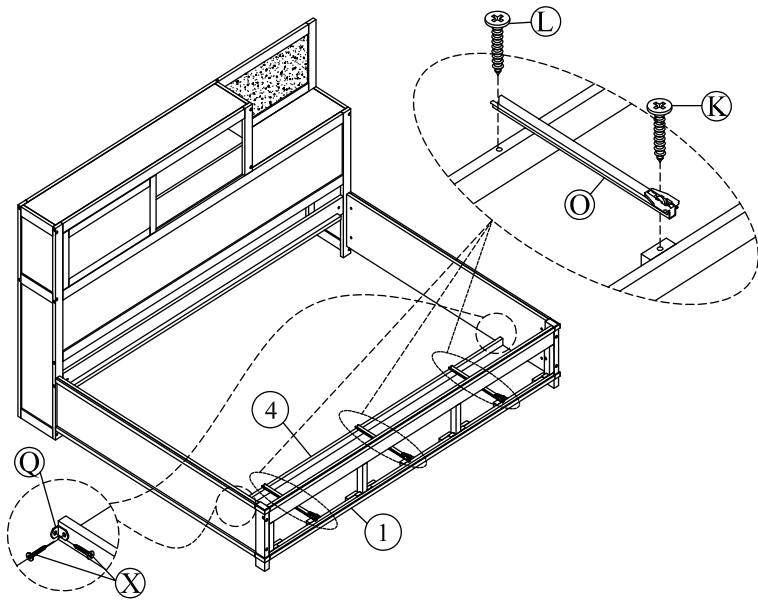
(A)		x2
(W)		x4








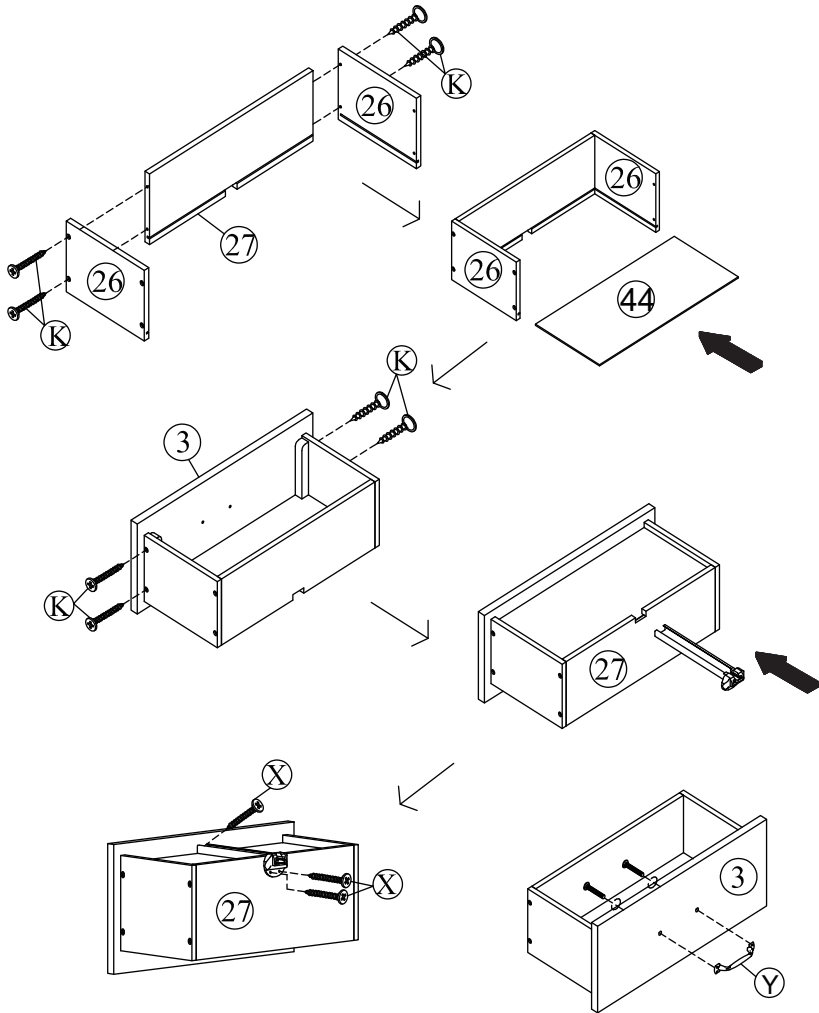
(R)		x1
(A)		x1
(C)		x2
(G)		x2



Ⓡ		x1
Ⓐ		x2
ⓔ		x4
ⓖ		x4

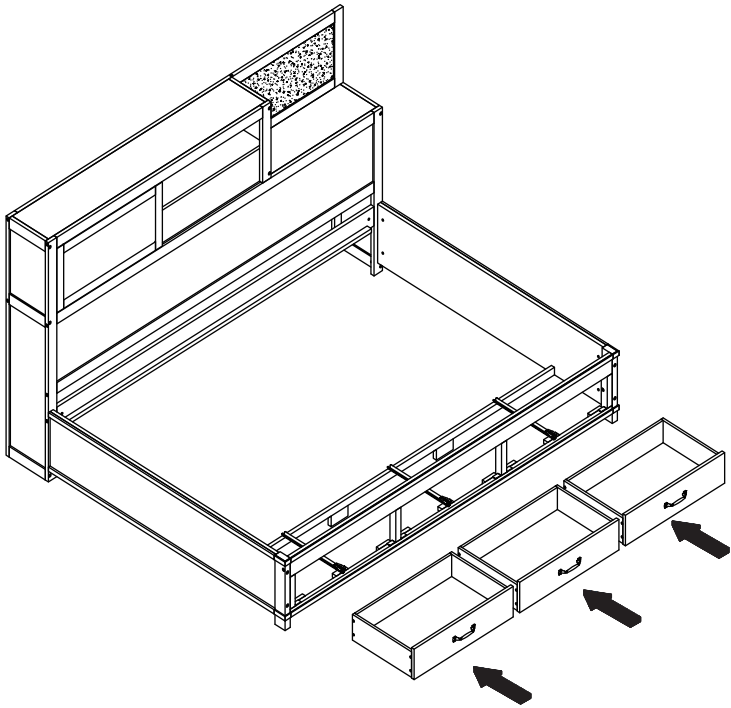


⊗		x4
⊙		x2
Ⓛ		x3
Ⓚ		x3
⊙		x3





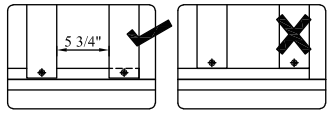
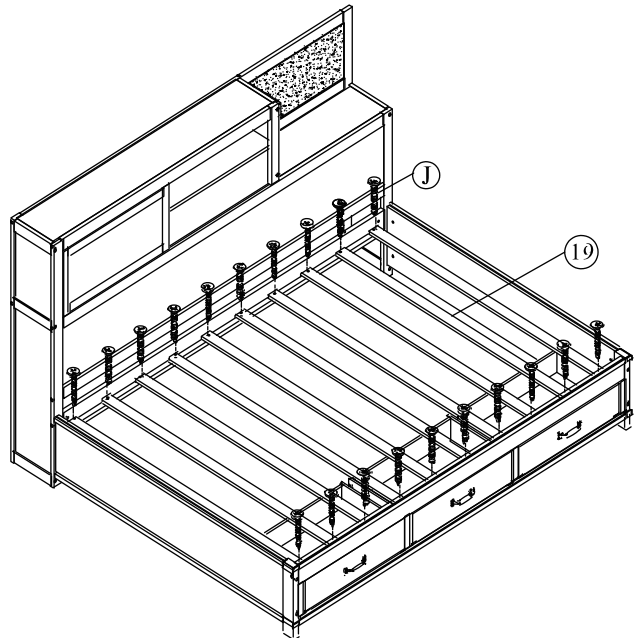
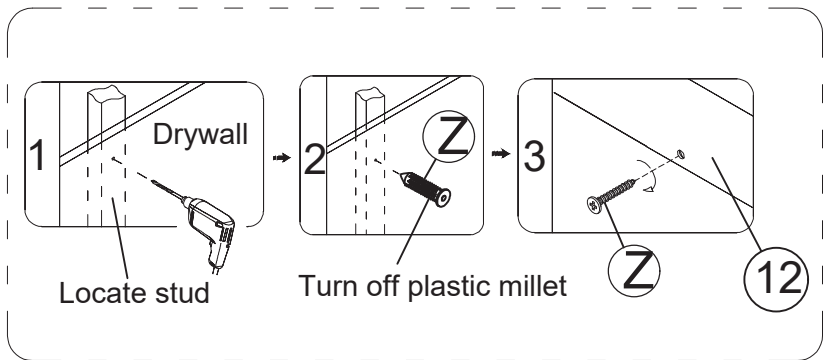
x3

	(X)		x9
	(K)		x24
(Y)			x3
	(N)		x3

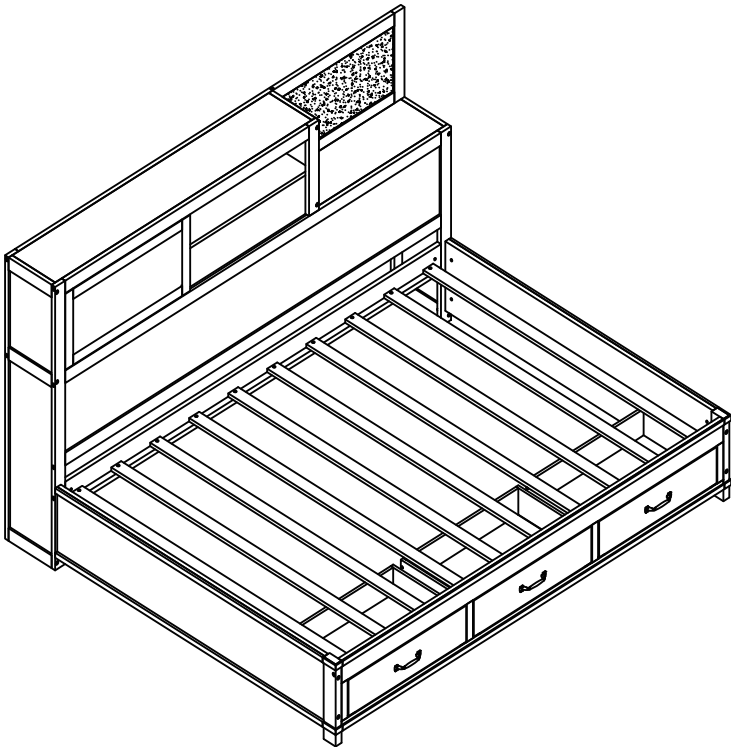


37

(J)		x20
(Z)		x2



FINAL





Return / Damage Claim Instructions

- ⚠ **DO NOT discard the box / original packaging.**
In case a return is required, the item must be returned in original box. Without this your return will not be accepted.
- ⚠ **Take a photo of the box markings.**
A photo of the markings (text) on the side of the box is required in case a part is needed for replacement. This helps our staff identify your product number to ensure you receive the correct parts.
- ⚠ **Take a photo of the damaged part (if applicable).**
A photo of the damage is always required to file a claim and get your replacement or refund processed quickly. Please make sure you have the box even if it is damaged.
- ⚠ **Send us an email with the images requested.**
Email us directly from marketplace where your item was purchased with the attached images and a description of your claim.

USA office: Fontana **AUS** office: Truganina

GBR office: FDS Corporation Limited, Unit 4, Blackacre Road, Great Blakenham, Ipswich, Ip6 0FL, United Kingdom

If you're having difficulty, our friendly customer team is always here to help.



USA: cs.us@costway.com
AUS: cs.au@costway.com
GBR: cs.uk@costway.com