

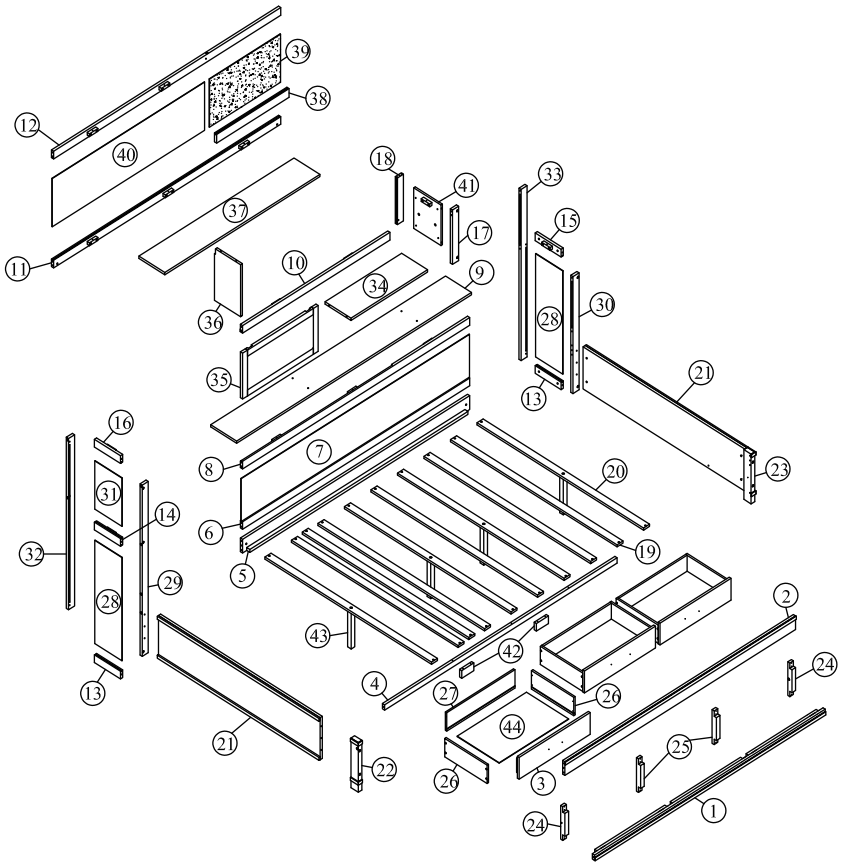
Bed Frame with Shelves & Drawers  
**HU10891-F**

THIS INSTRUCTION BOOKLET CONTAINS **IMPORTANT** SAFETY INFORMATION.  
PLEASE READ AND KEEP FOR FUTURE REFERENCE.



## Before You Start

- ⚠ Please read all instructions carefully.
- ⚠ Retain instructions for future reference.
- ⚠ Separate and count all parts and hardware.
- ⚠ Read through each step carefully and follow the proper order.
- ⚠ We recommend that, where possible, all items are assembled near to the area in which they will be placed in use, to avoid moving the product unnecessarily once assembled.
- ⚠ Always place the product on a flat, steady and stable surface.
- ⚠ Keep all small parts and packaging materials for this product away from babies and children as they potentially pose a serious choking hazard.



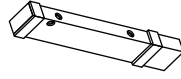
## Part List (Box 1)

②1 X2



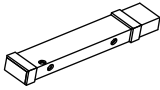
Footboard

②2 X1



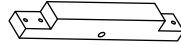
Right (front) post leg at footboard

②3 X1



Right (back) post leg at footboard

②4 X2



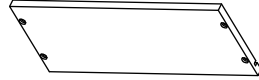
Left & Right wood bar

②5 X2



Middle wood bar

②6 X6



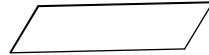
Side drawers

②7 X3



Back drawers

④4 X3



Bottom drawers

②9 X1



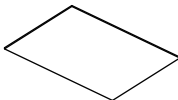
Left leg at headboard

③0 X1



Leg post at footboard

③1 X1



Top panel at headboard

③2 X1



Back post at headboard

## Part List (Box 1)

③③ X1



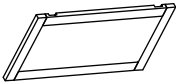
Back post leg at footboard

③④ X1



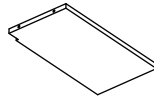
Small shelf at side rail

③⑤ X1



Door

③⑥ X1



Panel

③⑦ X1



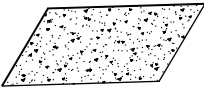
Bottom panel at side rail

③⑧ X1



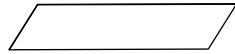
Wood bar

③⑨ X1



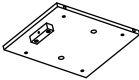
Cork board (bulletin board)

④① X1



Panel at side rail

④② X1



Panel at side rail

④③ X2



Support wood at side rail

④④ X4



Support leg

## Part List (Box 2)

① X1



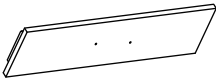
Wood bar under drawers

② X1



Right side rail

③ X3



Front drawers

④ X1



Wood bar at side rail

⑤ X1



Left side rail

⑥ X1



Bottom wood bar with groove

⑦ X1



Bottom panel of side rail

⑧ X1



Top wood bar with groove

⑨ X1



Big shelf of side rail

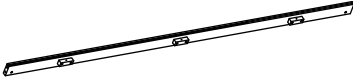
⑩ X1



Bottom wood bar at side rail

## Part List (Box 2)

⑪ X1



Bottom wood bar of side rail

⑫ X1



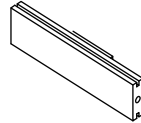
Top wood bar of rail

⑬ X2



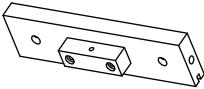
Wood bar at headboard

⑭ X1



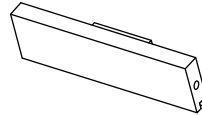
Wood bar with groove

⑮ X1



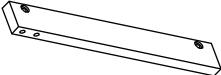
Wood bar with groove

⑯ X1



Wood bar at headboard

⑰ X1



Front wood bar at side rail

⑱ X1



Back wood bar at side rail

⑲ X6



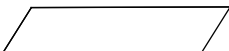
Slats

⑳ X4



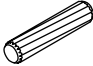




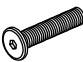





Slats

⑳ X2

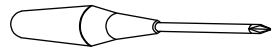


Panel at headboard









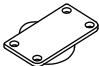
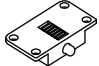


## Hardware List (Box 1)

<b>(A)</b>		Dowel Ø8*30mm	<b>x37</b>
<b>(B)</b>		Screws M6*45mm	<b>x2</b>
<b>(C)</b>		Bolts M6*100mm	<b>x4</b>
<b>(D)</b>		Bolts M6*90mm	<b>x12</b>
<b>(E)</b>		Bolts M6*70mm	<b>x6</b>
<b>(F)</b>		Bolts M6*30mm	<b>x4</b>
<b>(G)</b>		Cross dowel M6*13mm	<b>x22</b>
<b>(H)</b>		Cross dowel Ø10*10mm	<b>x15</b>
<b>(I)</b>		Flat head screw #8*60mm	<b>x20</b>
<b>(J)</b>		Flat head screw #8*30mm	<b>x20</b>
<b>(K)</b>		Flat head screw #8*25mm	<b>x57</b>

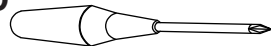
**ASSEMBLY TOOLS REQUIRED  
(NOT INCLUDED)**

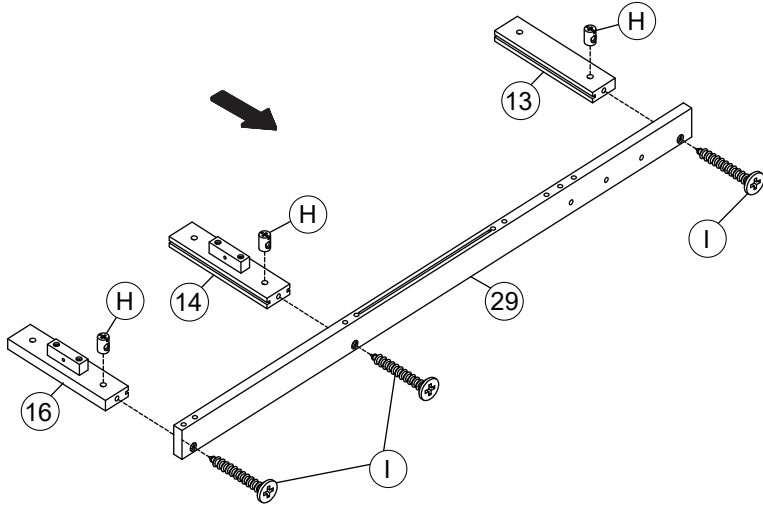




## Hardware List (Box 1)

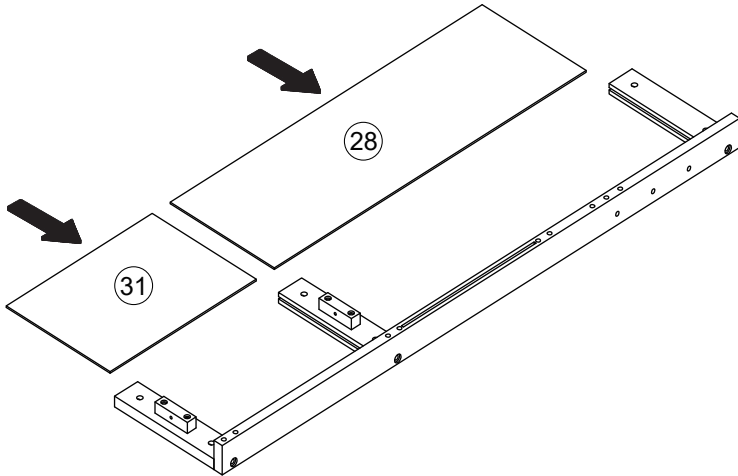
(L)		Flat head screw #8*15mm	<b>x3</b>
(M)		Flat head screw #7*12mm	<b>x16</b>
(N)		Sliding Rails	<b>x3</b>
(O)		Sliding Rails	<b>x3</b>
(W)		Flat head screw #8*50mm	<b>x4</b>
(Q)		Hinge L	<b>x3</b>
(R)		Allen key 60*22*4mm	<b>x1</b>
(Y)		Handle	<b>x3</b>
(T)		Sliding Door Roller	<b>x2</b>
(U)		Sliding Door Roller	<b>x2</b>
(X)		Flat head screw #7*12mm	<b>x15</b>
(Z)		Flat head screw #8*40mm	<b>x2</b>

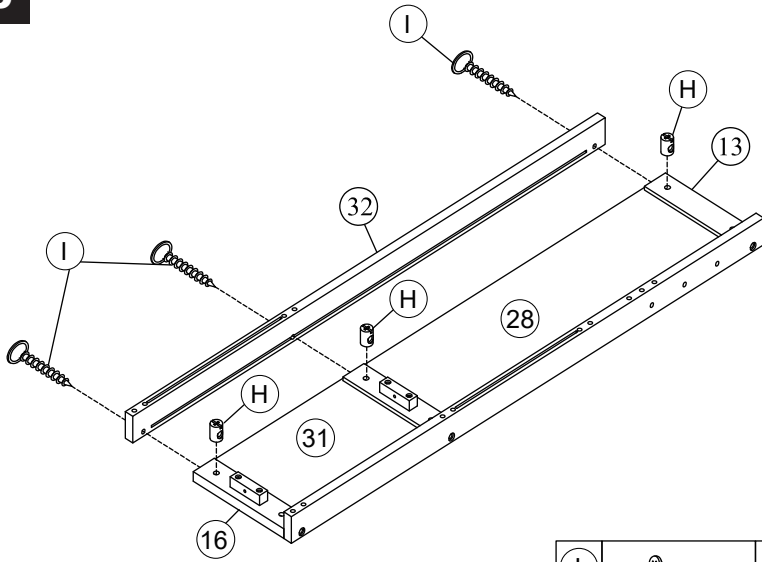
**ASSEMBLY TOOLS REQUIRED  
(NOT INCLUDED)**



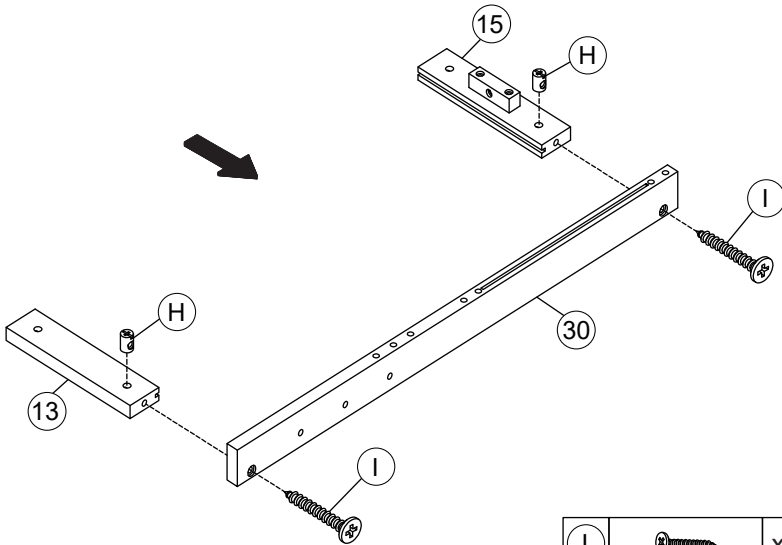
**1**

I		x3
H		x3

**2**

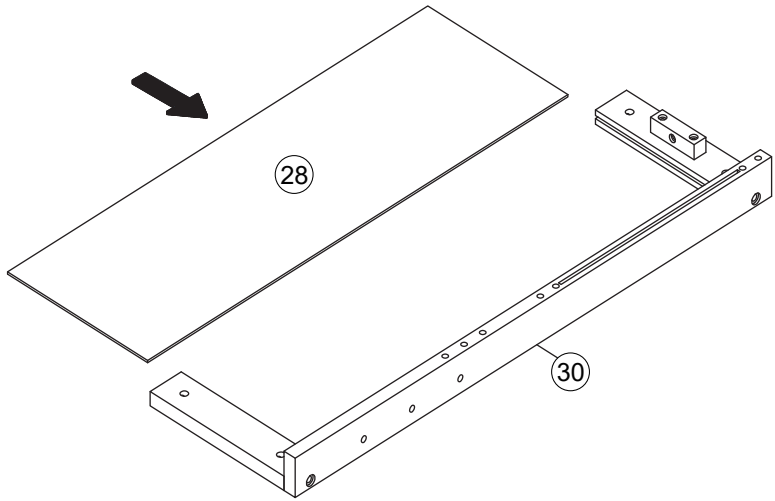
**3**

I		x3
H		x3

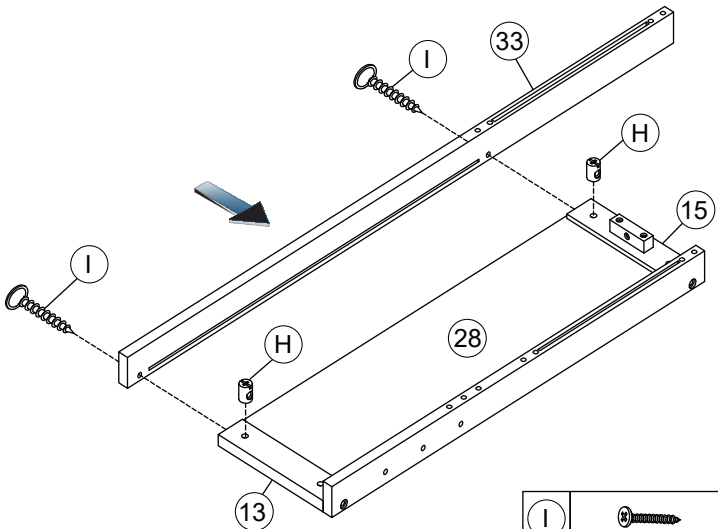
**4**



I		x2
H		x2

**5**

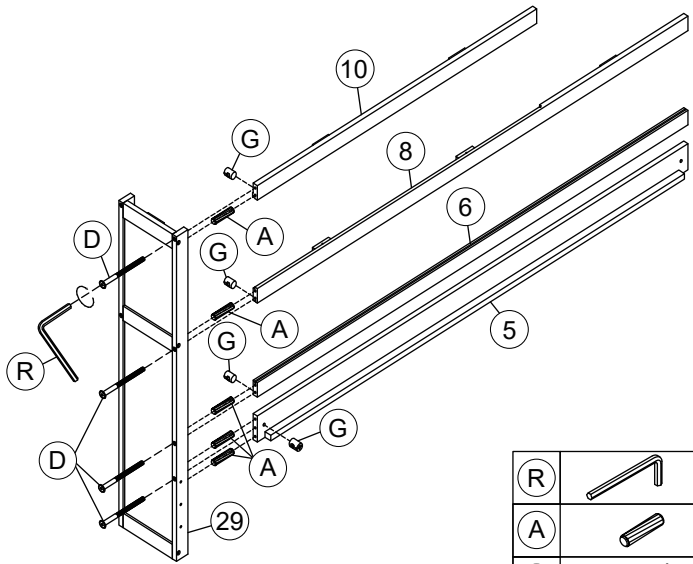


**6**



I		x2
H		x2

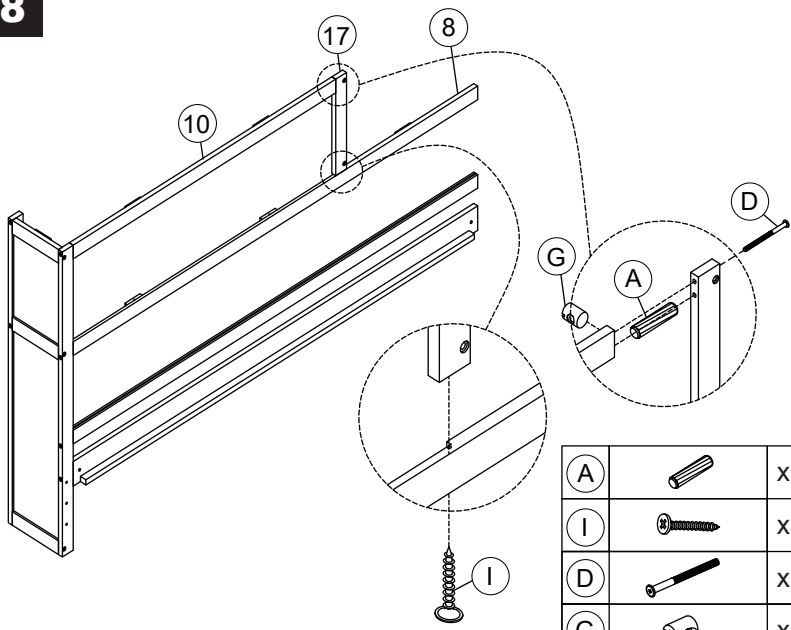
# 7



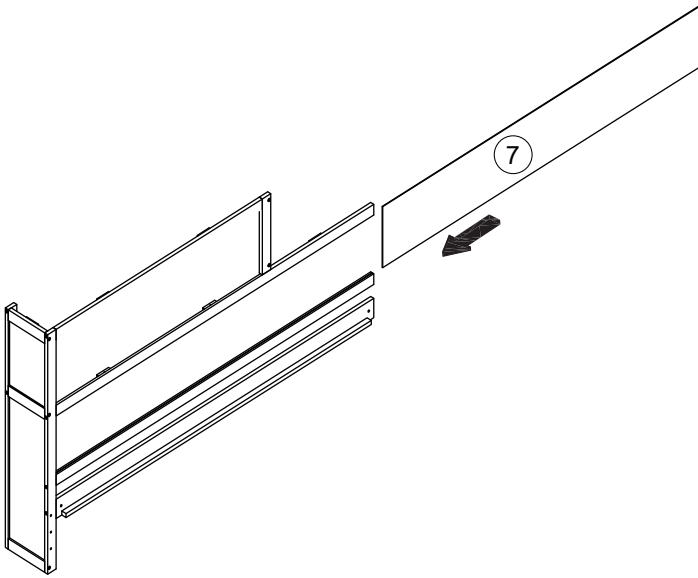
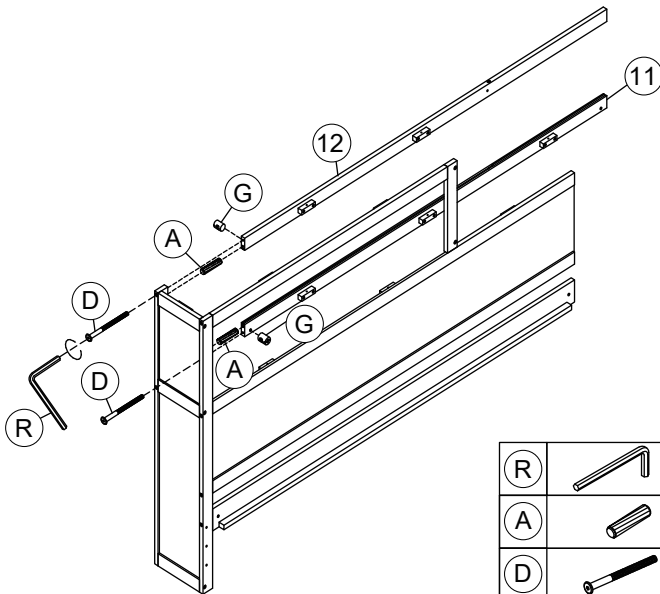
R		x1
A		x5
D		x4
G		x4





Note: Do not lock the bolt.

# 8

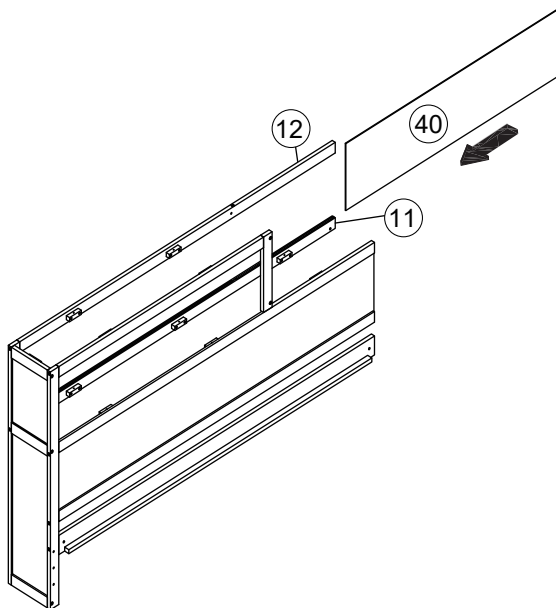


A		x1
I		x1
D		x1
G		x1

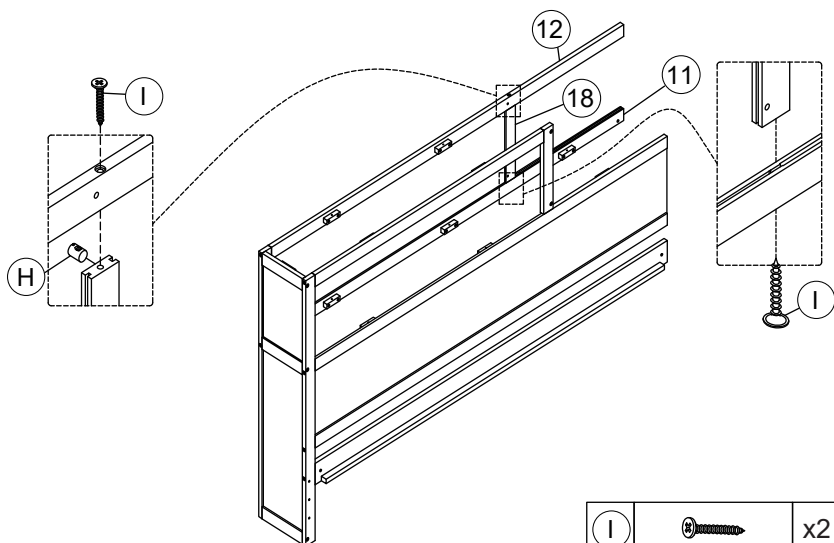
**9****10**

(R)		x1
(A)		x2
(D)		x2
(G)		x2

# 11

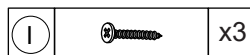
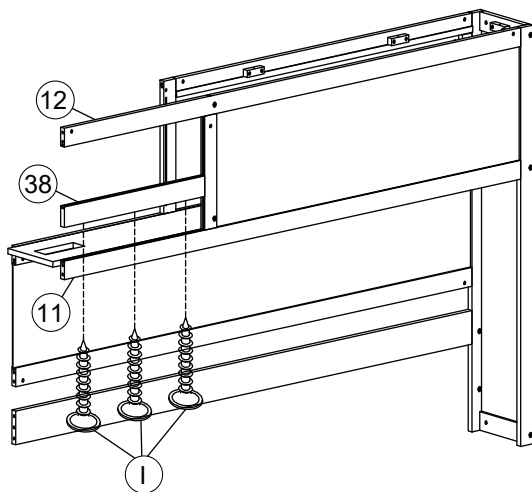


# 12

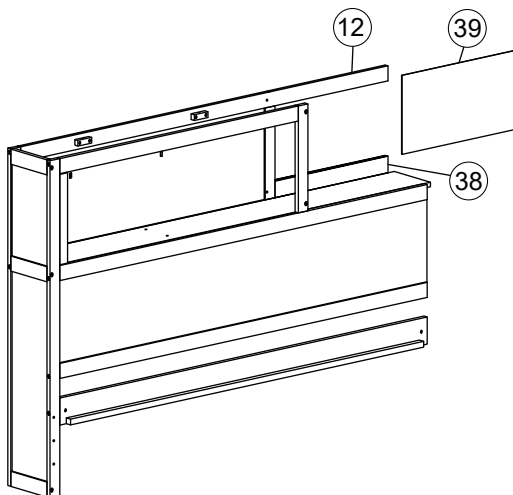


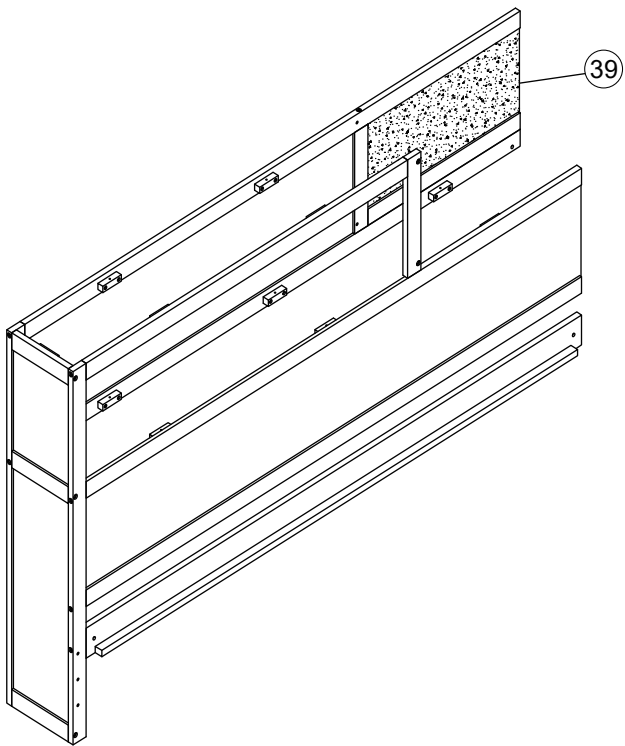
I		x2
H		x1

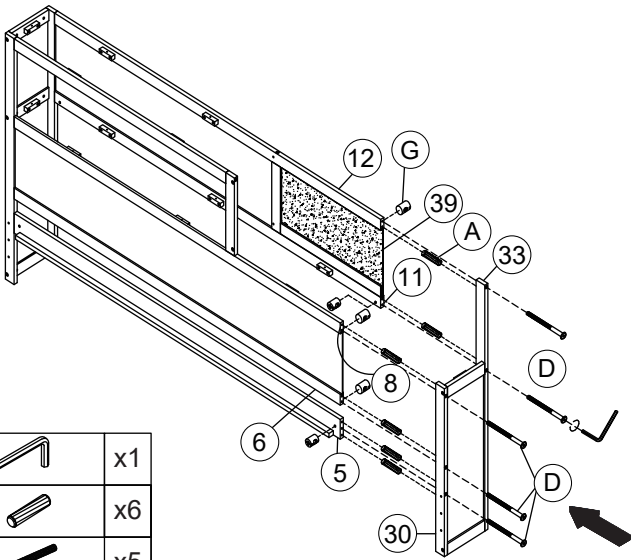
# 13







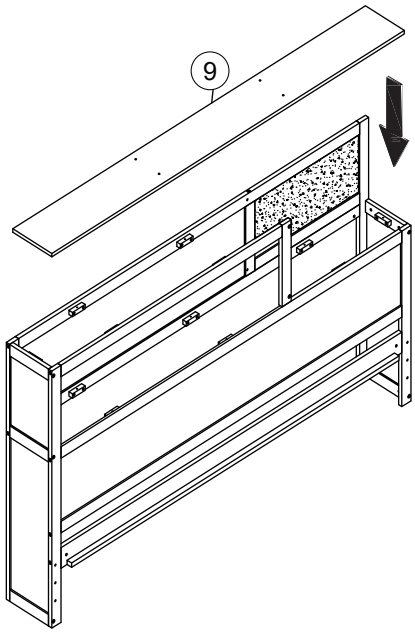
# 13.1





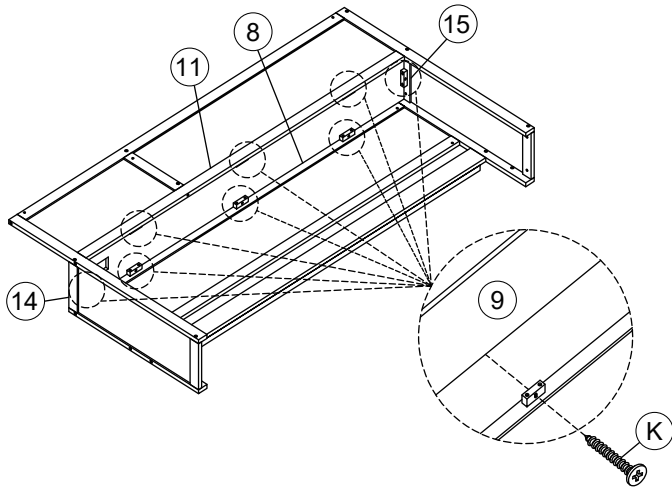
**15**

(R)		x1
(A)		x6
(D)		x5
(G)		x5

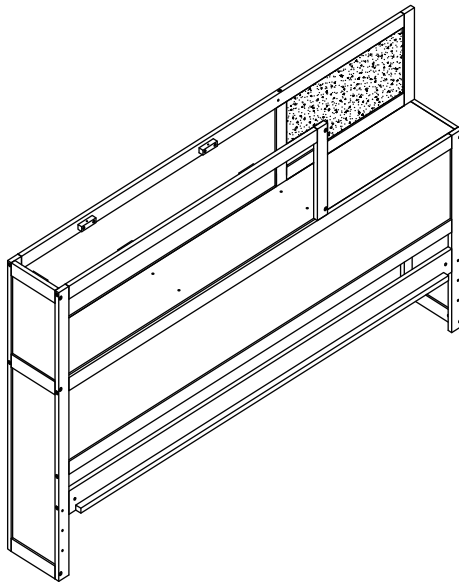
**16**

**17**

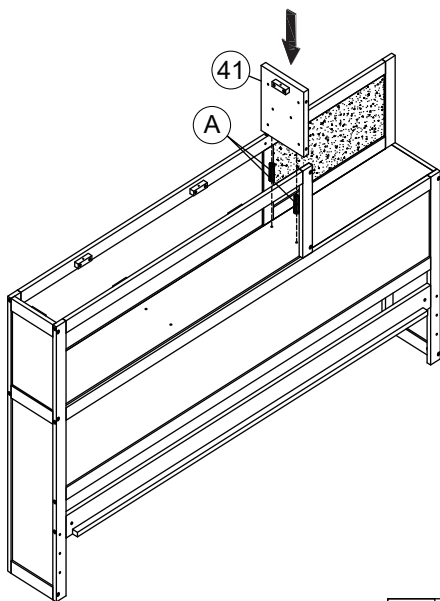
**K**  **x8**




**18**

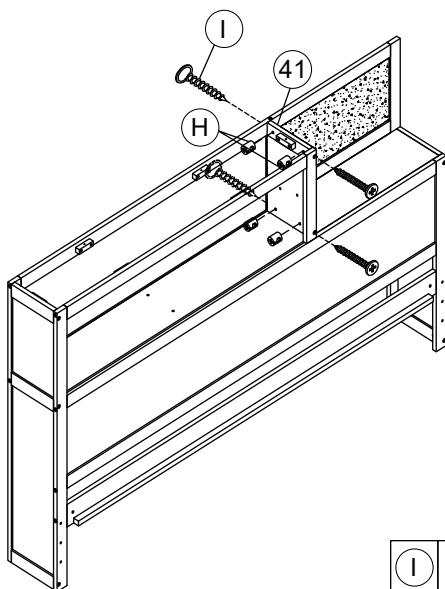




19



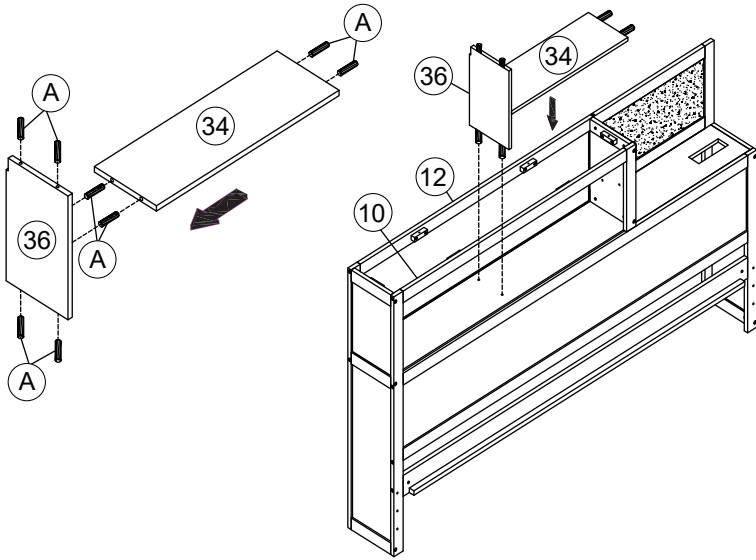
A		x2
---	-----------------------------------------------------------------------------------	----


20



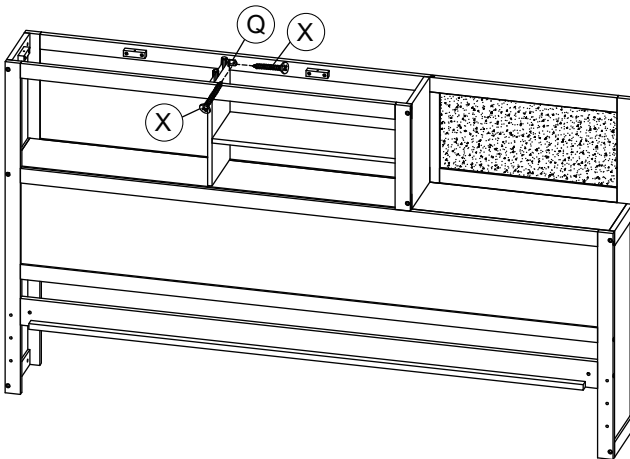
I		x4
H		x4



21



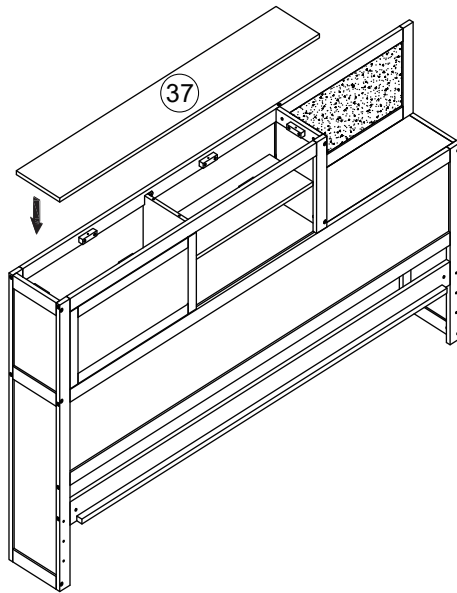
A		x8
---	-----------------------------------------------------------------------------------	----

22

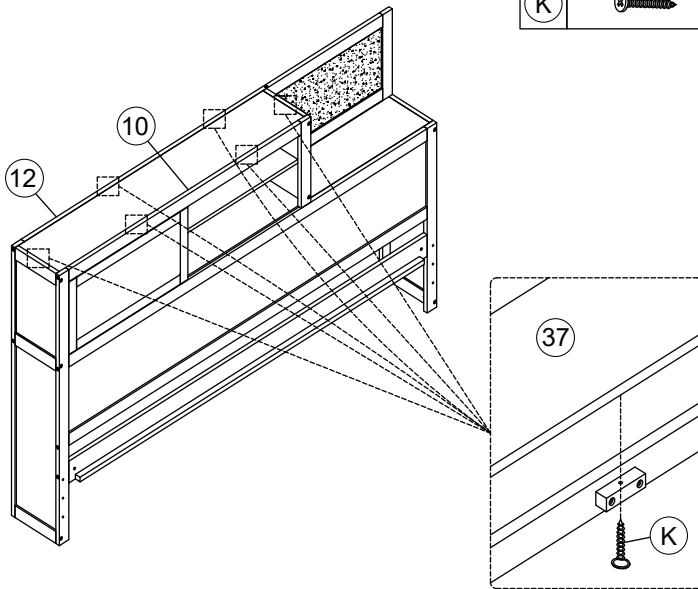
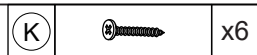


X		x2
Q		x1

**23**

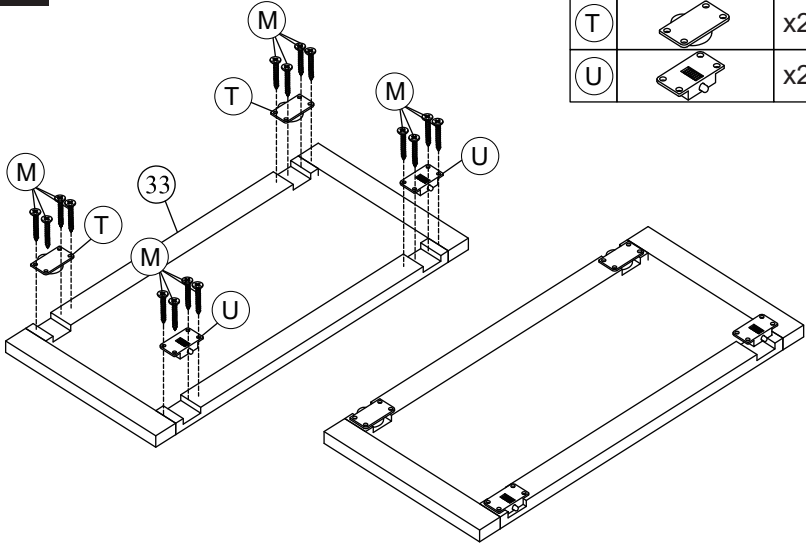





**24**



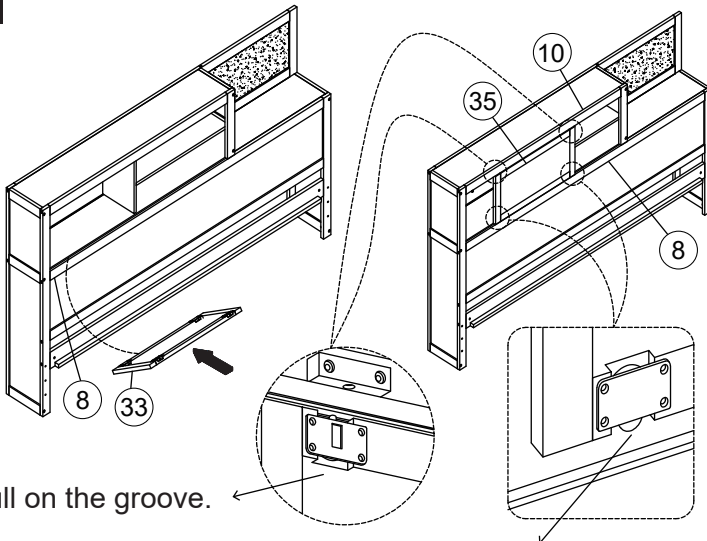
Note: Lock the bolt.

**25**



(M)		x16
(T)		x2
(U)		x2

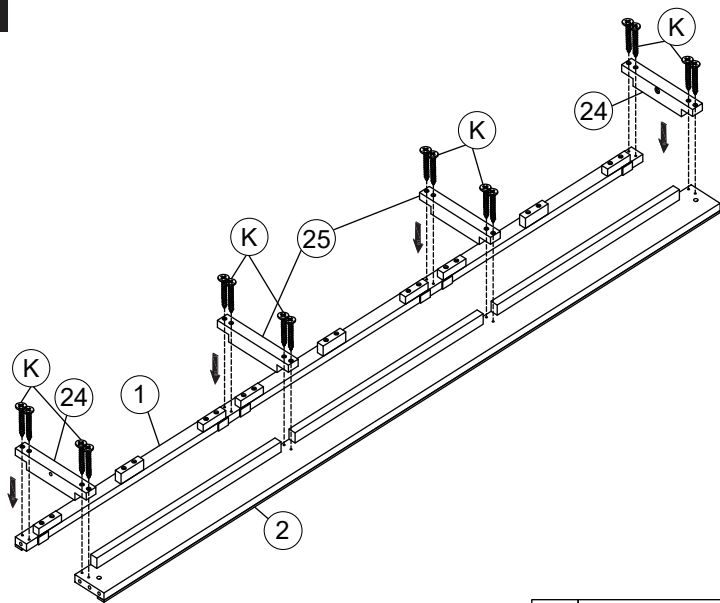
**26**



Pull on the groove.

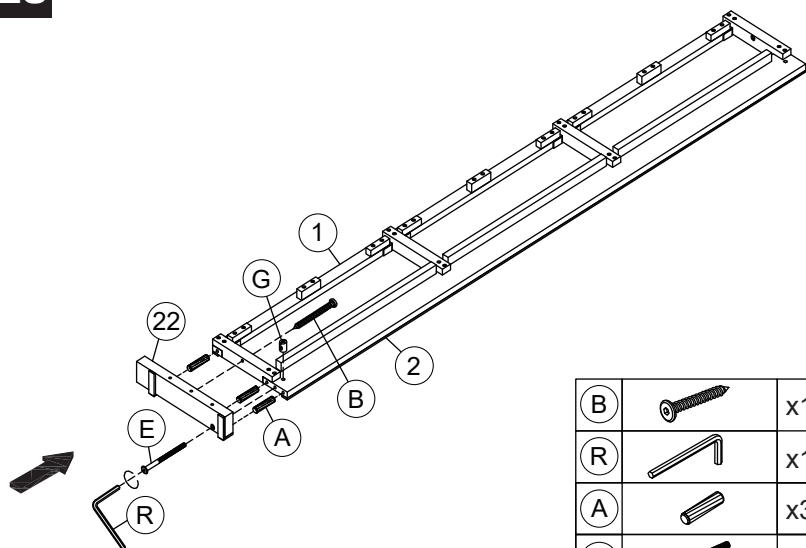
The wheel needs to run on the groove.






27

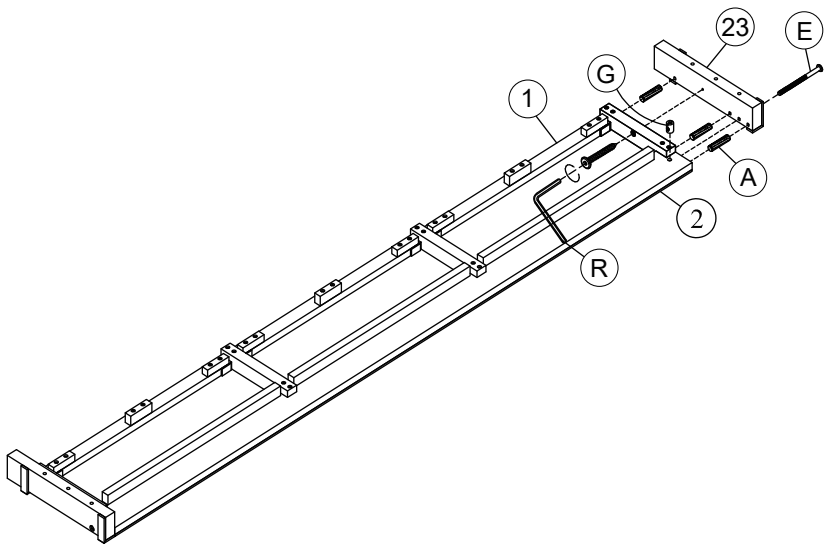







(K)		x16
-----	-----------------------------------------------------------------------------------	-----

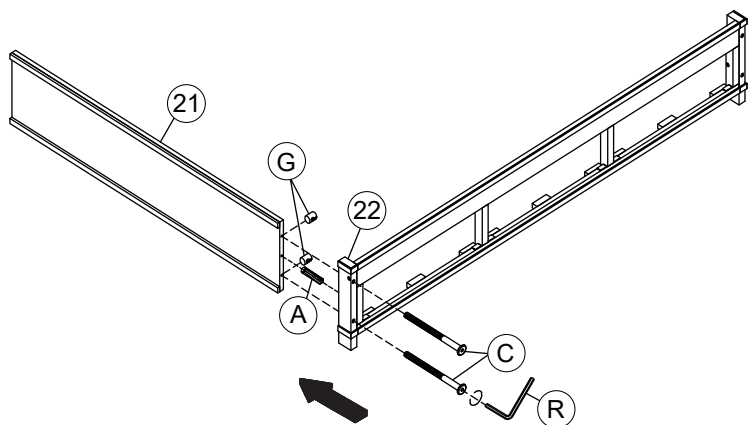
28



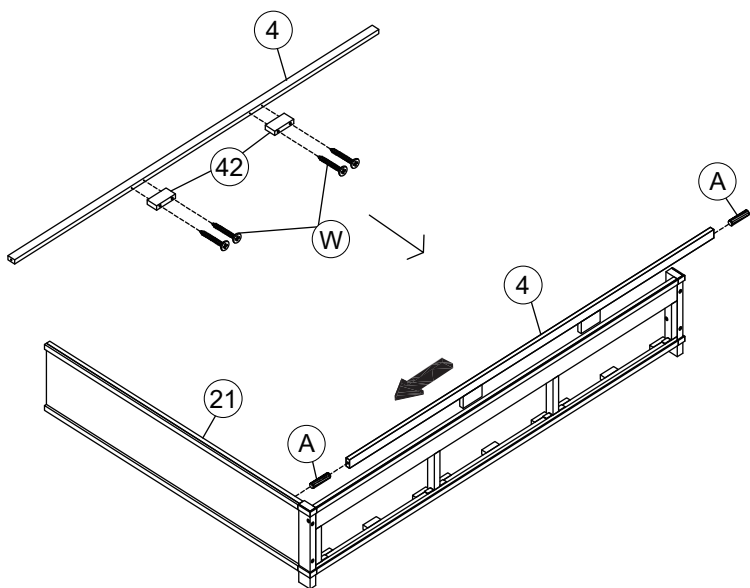
(B)		x1
(R)		x1
(A)		x3
(E)		x1
(G)		x1





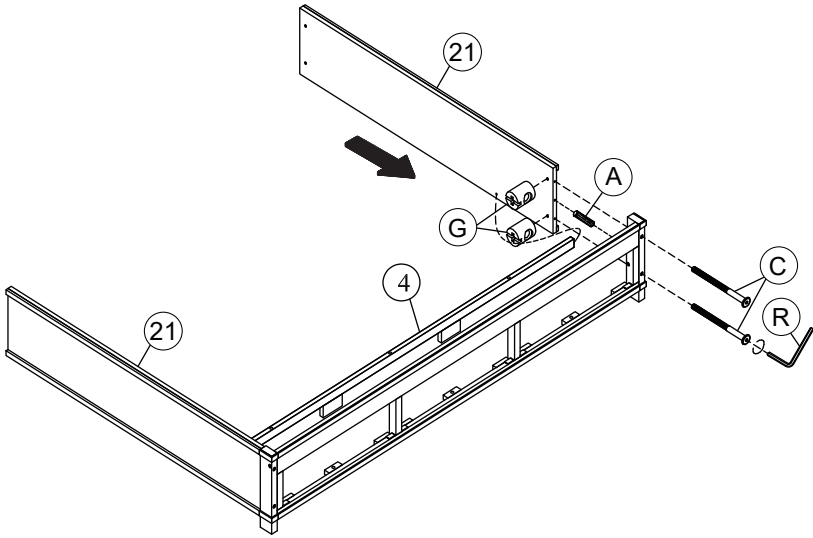
(B)		x1
(R)		x1
(A)		x3
(E)		x1
(G)		x1







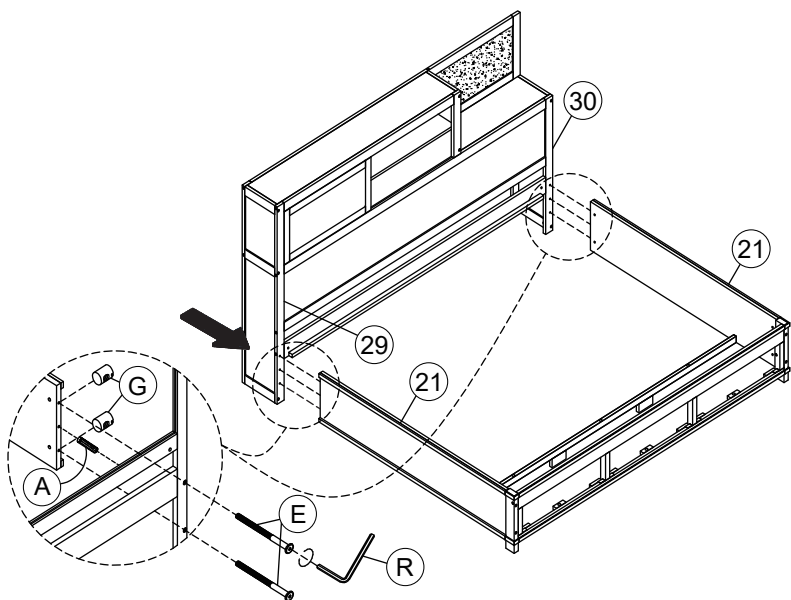
(R)		x1
(A)		x1
(C)		x2
(G)		x2







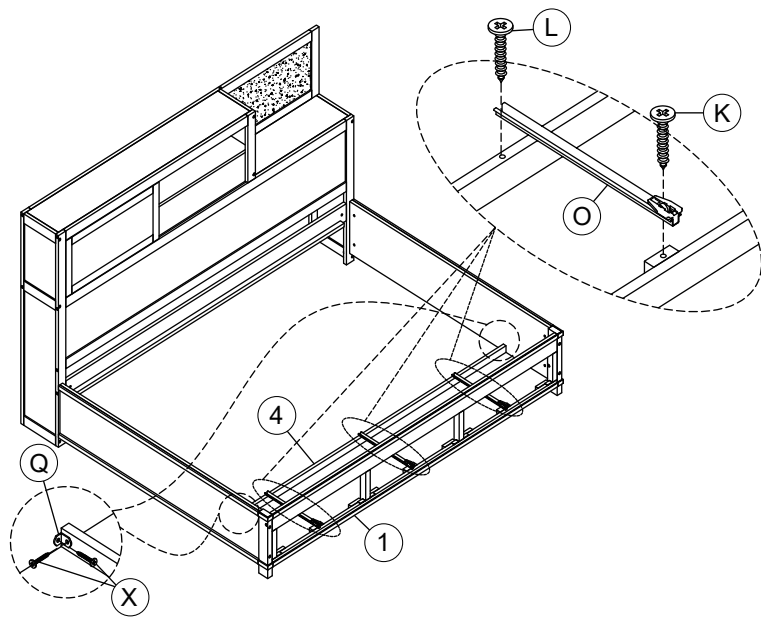
(A)		x2
(W)		x4








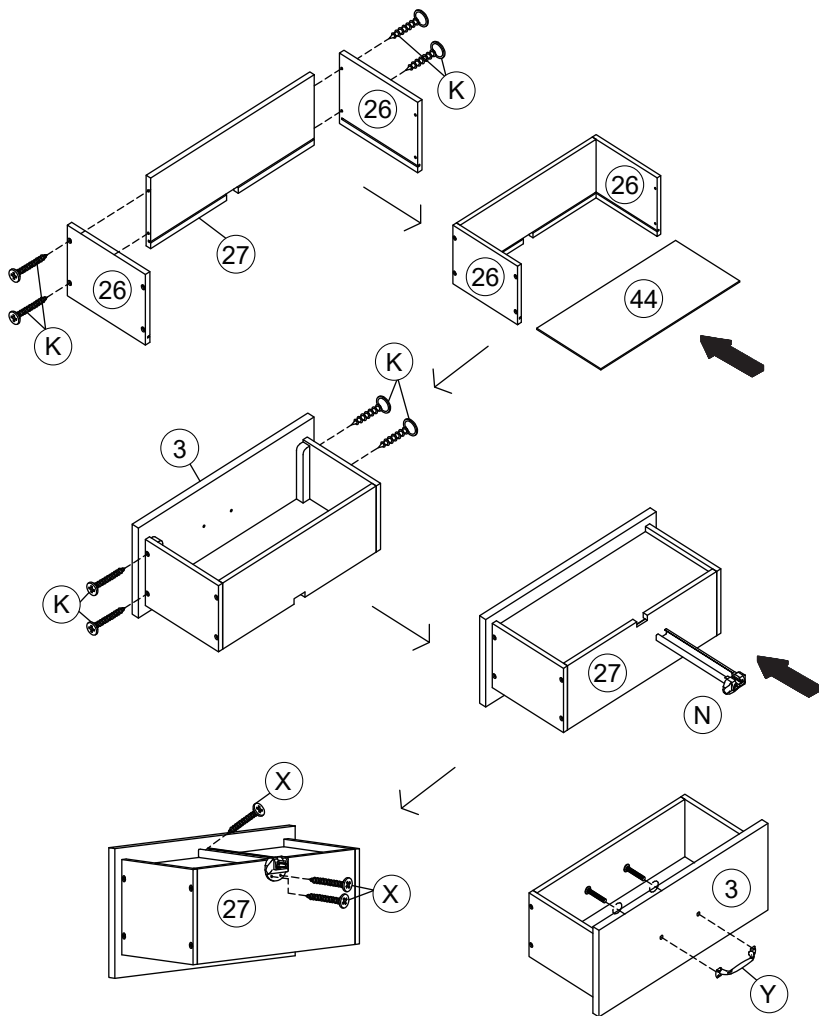
(R)		x1
(A)		x1
(C)		x2
(G)		x2







(R)		x1
(A)		x2
(E)		x4
(G)		x4

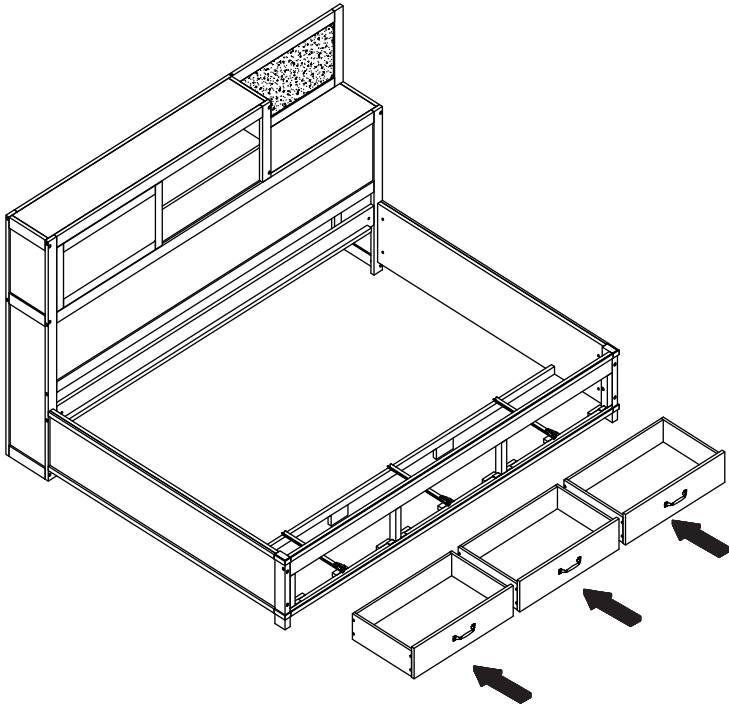


(X)		x4
(Q)		x2
(L)		x3
(K)		x3
(O)		x3







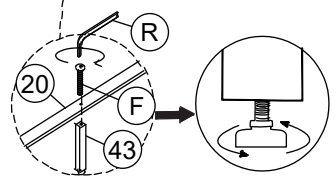
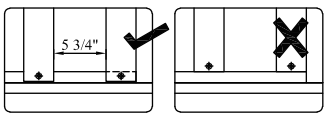
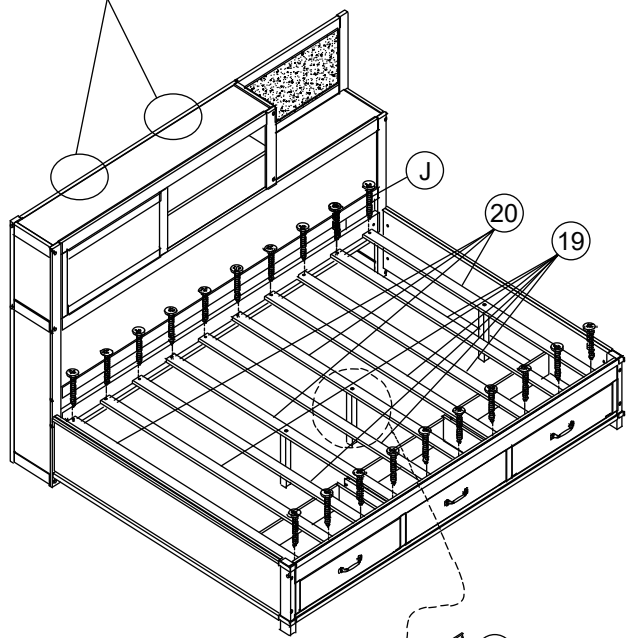
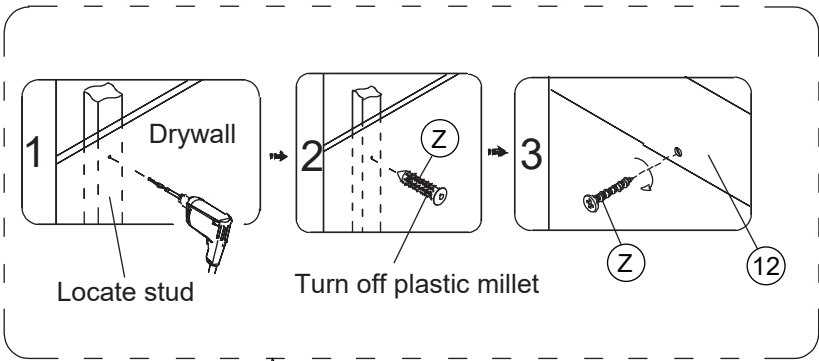
x3

(X)		x9
(K)		x24
(Y)		x3
(N)		x3



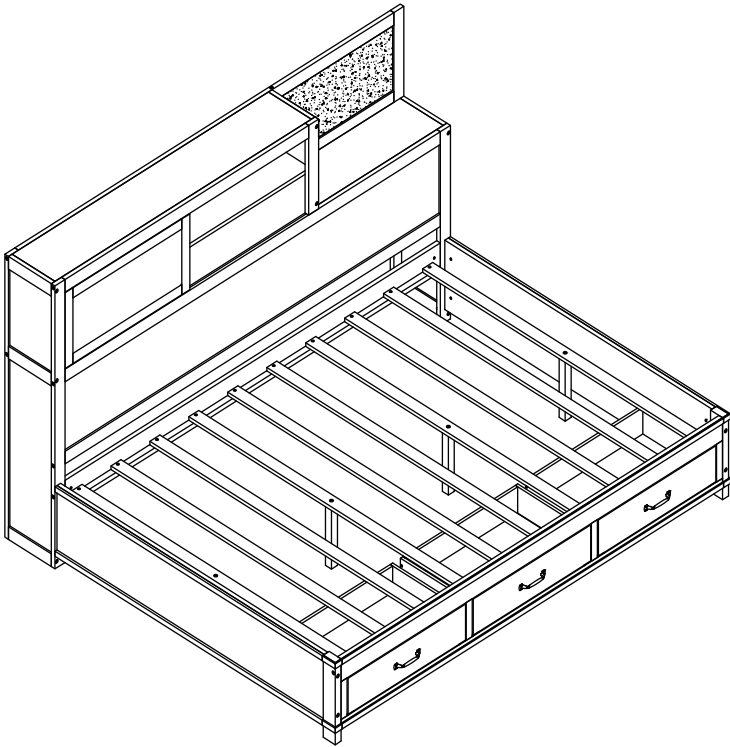
**37**

(Z)		x2	(J)		x20
			(F)		x4
			(R)		x1



---

**FINAL**





## Return / Damage Claim Instructions

- ⚠ **DO NOT discard the box / original packaging.**  
In case a return is required, the item must be returned in original box. Without this your return will not be accepted.
- ⚠ **Take a photo of the box markings.**  
A photo of the markings (text) on the side of the box is required in case a part is needed for replacement. This helps our staff identify your product number to ensure you receive the correct parts.
- ⚠ **Take a photo of the damaged part (if applicable).**  
A photo of the damage is always required to file a claim and get your replacement or refund processed quickly. Please make sure you have the box even if it is damaged.
- ⚠ **Send us an email with the images requested.**  
Email us directly from marketplace where your item was purchased with the attached images and a description of your claim.

**USA** office: Fontana

**AUS** office: Truganina

**GBR** office: FDS Corporation Limited, Unit 4, Blackacre Road, Great Blakenham, Ipswich, Ip6 0FL, United Kingdom

---

If you're having difficulty, our friendly customer team is always here to help.



USA: [cs.us@costway.com](mailto:cs.us@costway.com)

AUS: [cs.au@costway.com](mailto:cs.au@costway.com)

GBR: [cs.uk@costway.com](mailto:cs.uk@costway.com)