

Bed Frame

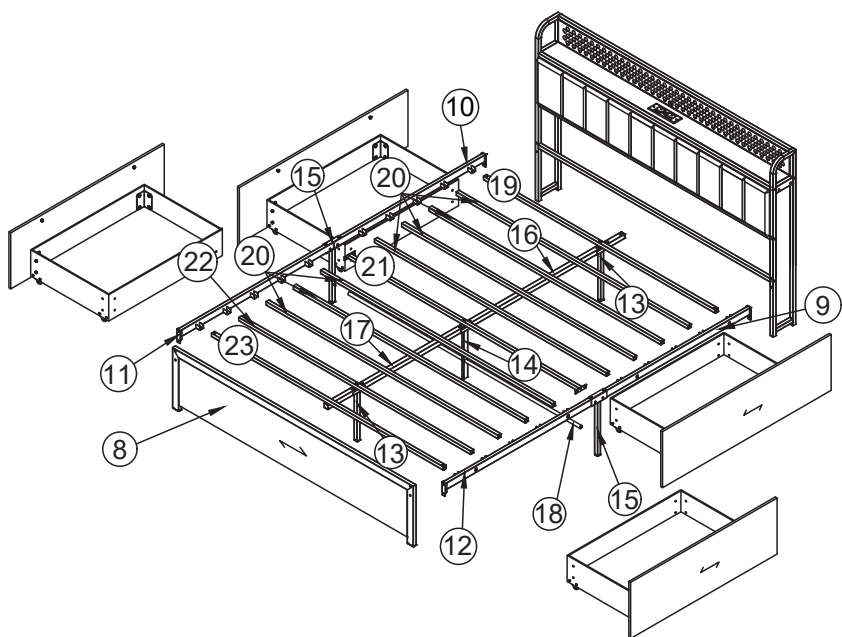
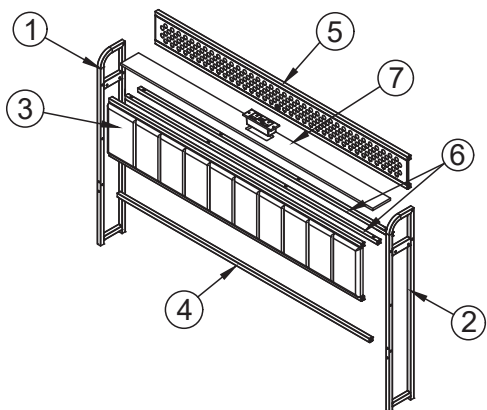
HU10742-D&HU10742-K

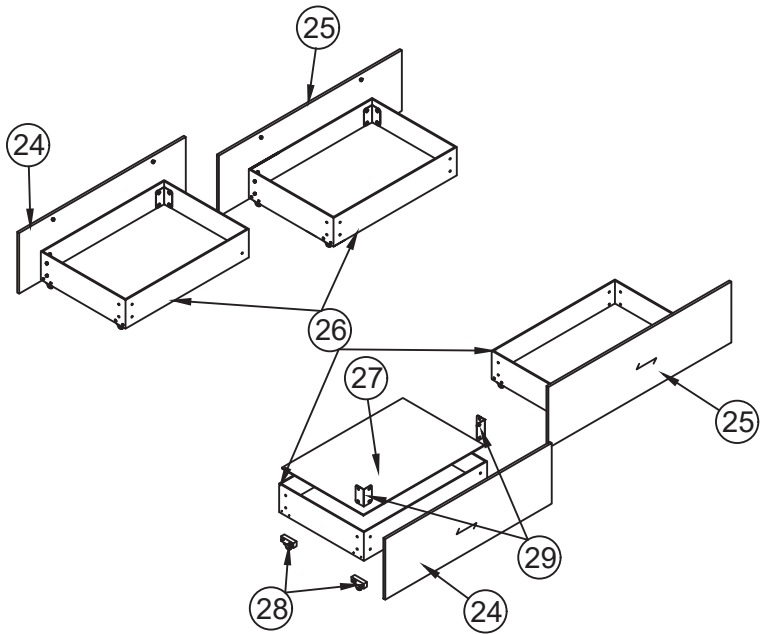
THIS INSTRUCTION BOOKLET CONTAINS **IMPORTANT** SAFETY INFORMATION.
PLEASE READ AND KEEP FOR FUTURE REFERENCE.



Before You Start

- ⚠ Please read all instructions carefully.
- ⚠ Retain instructions for future reference.
- ⚠ Separate and count all parts and hardware.
- ⚠ Read through each step carefully and follow the proper order.
- ⚠ We recommend that, where possible, all items are assembled near to the area in which they will be placed in use, to avoid moving the product unnecessarily once assembled.
- ⚠ Always place the product on a flat, steady and stable surface.
- ⚠ Keep all small parts and packaging materials for this product away from babies and children as they potentially pose a serious choking hazard.

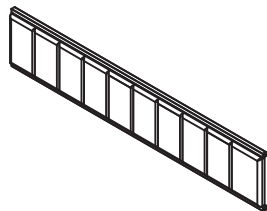




① x 1

② x 1

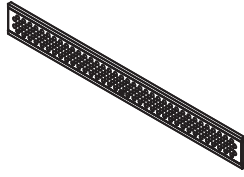
③ x 1



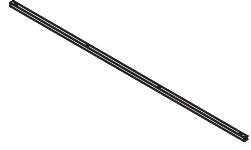
④ x 1



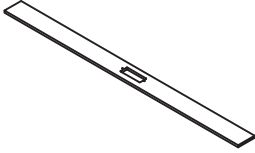
⑤ x 1



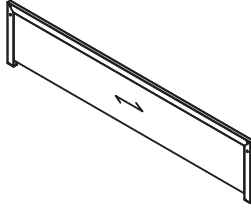
⑥ x 2



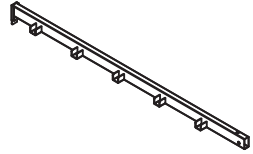
⑦ x 1



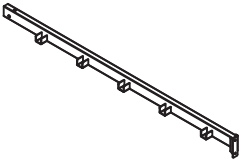
⑧ x 1



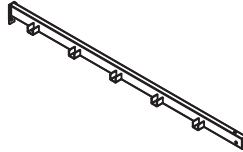
⑨ x 1



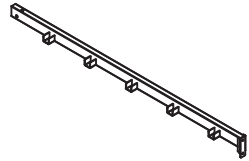
⑩ x 1



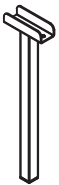
⑪ x 1



⑫ x 1



⑬ x 2



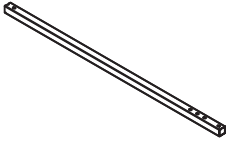
⑭ x 1



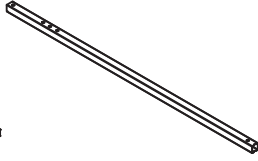
⑮ x 2



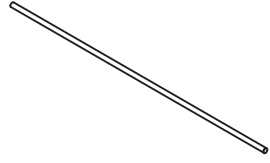
①⑥ x 1



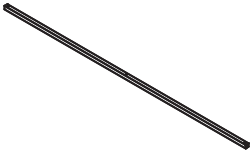
①⑦ x 1



①⑧ x 1



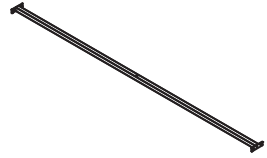
①⑨ x 1



②⑦ x 7



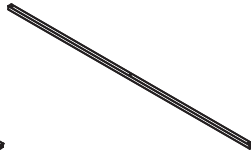
②① x 1



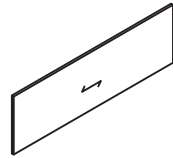
②② x 1



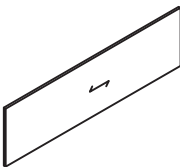
②③ x 1



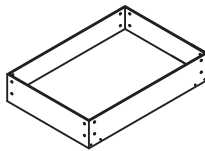
②④ x 2



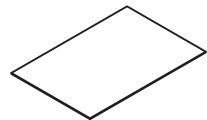
②⑤ x 2



②⑥ x 4



②⑦ x 4



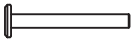
(28) x 16



(29) x 8

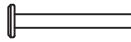


A x 3



$\frac{1}{4}$ " x 55mm

B x 4



$\frac{1}{4}$ " x 50mm

C x 24



$\frac{1}{4}$ " x 35mm

D x 16



$\frac{1}{4}$ " x 30mm

E x 8



$\frac{1}{4}$ " x 25mm

F x 8



$\frac{1}{4}$ " x 15mm

G x 32



$\frac{1}{4}$ " x 12mm

H x 16



$\frac{1}{4}$ "

I x 4



Ø6,8*3,3*40MM

J x 48



Ø6,8*3,3*20MM

K x 2



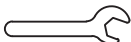
Ø6,8*3,3*10MM

L x 1



#4

M x 1



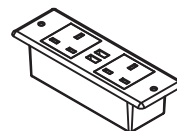
#10

N x 1

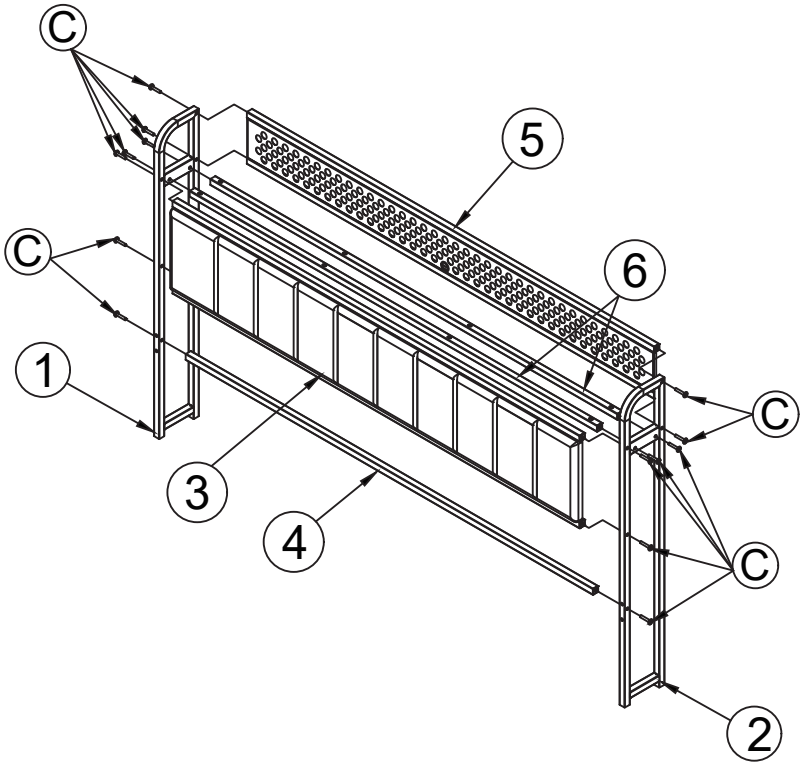




LED light strip

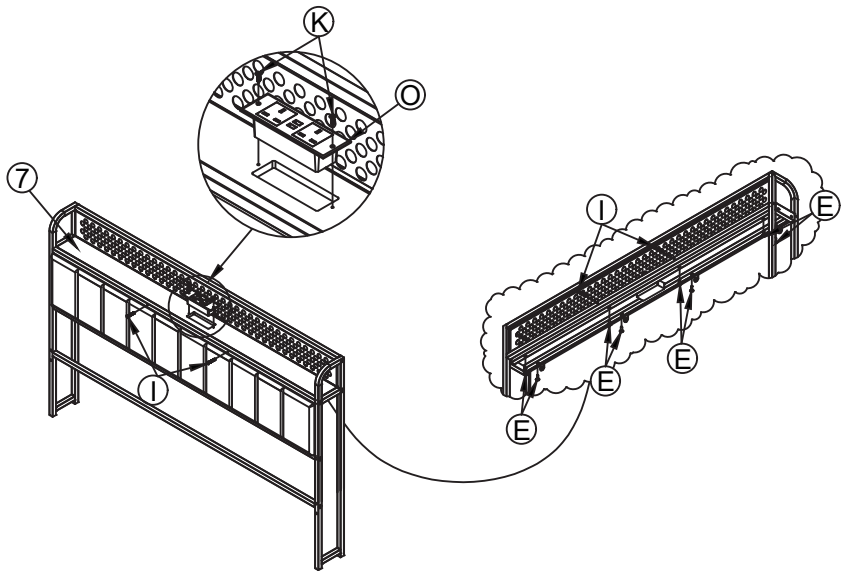
O x 1








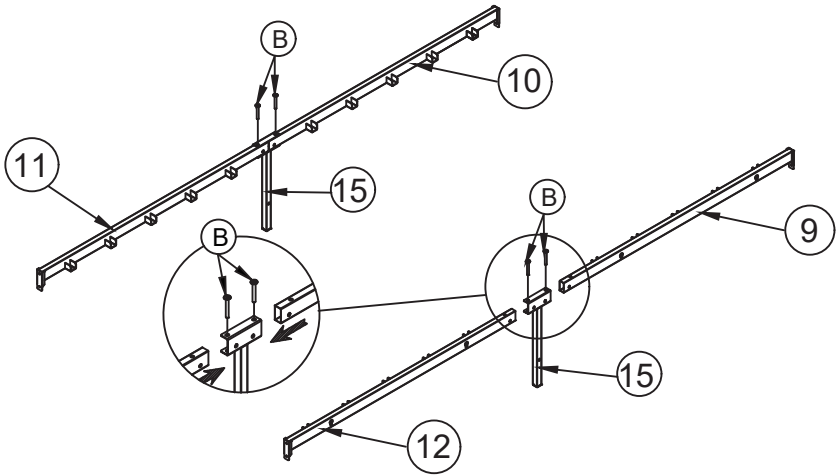
1





Ⓒx14	 $\frac{1}{4}$ "x35 mm
Ⓕ	 #4

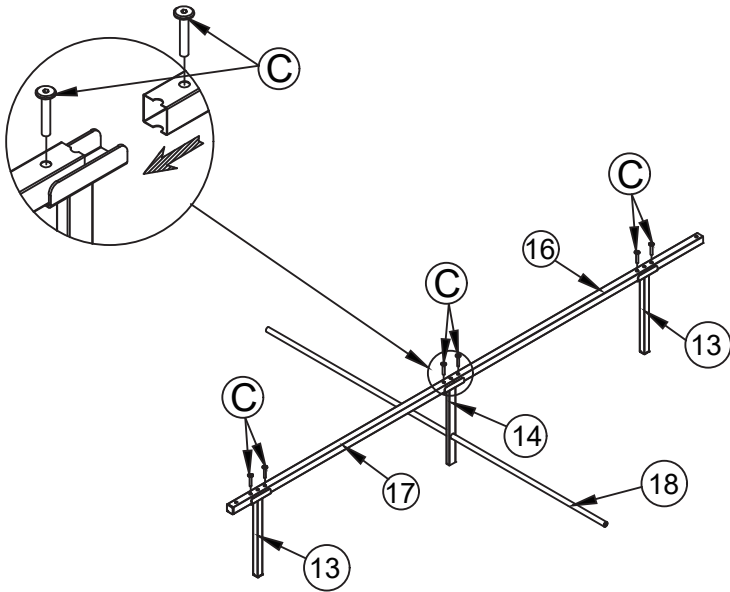




Ⓔx8	 1/4"x25 mm
Ⓛx4	 Ø6,8*3,3*40MM
Ⓚx2	 Ø6,8*3,3*10MM
Ⓛ	 #4
ⓐ	

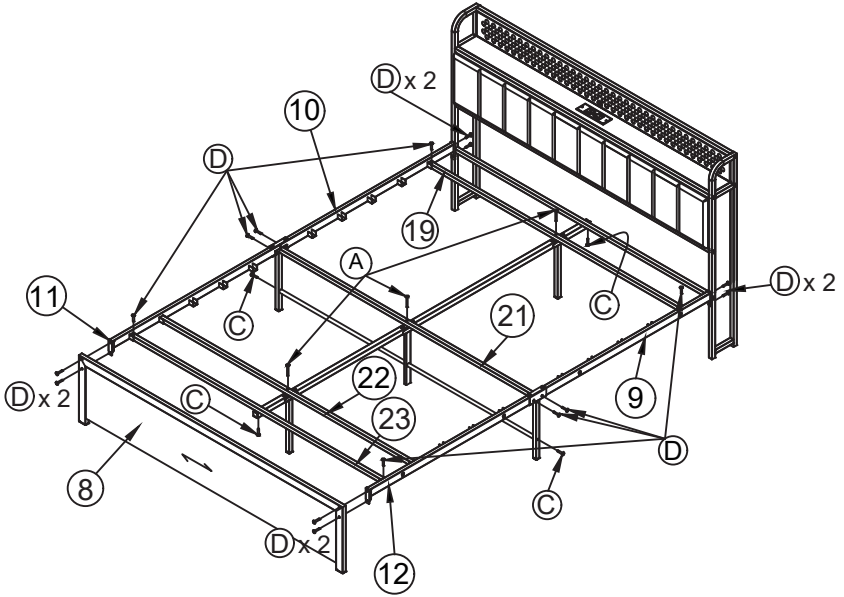






(B) x4		$\frac{1}{4}$ " x 50mm
(L)		#4

4

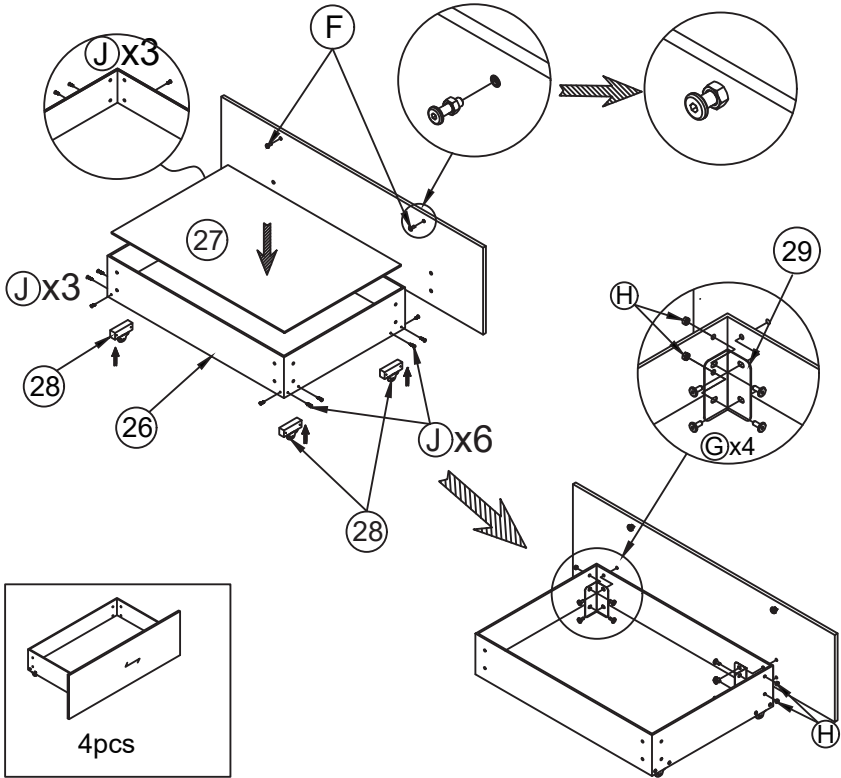








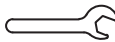
(C)x6	 1/4 "x35 mm
(L)	 #4

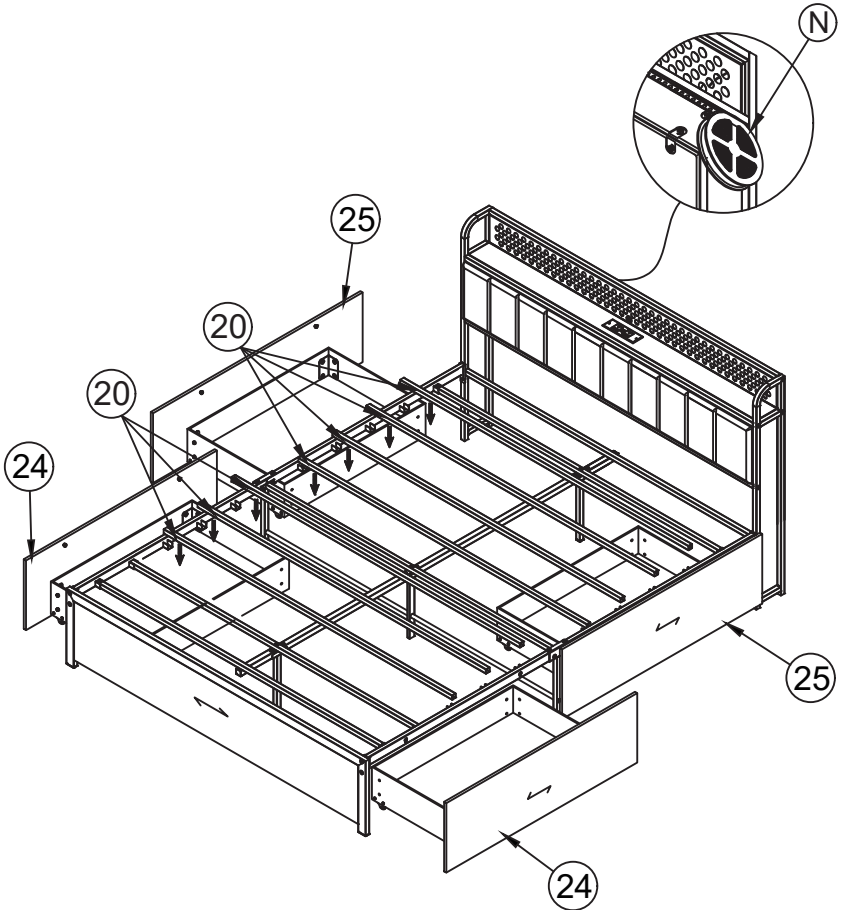


(A)x3	 $\frac{1}{4}$ "x55mm
(C)x4	 $\frac{1}{4}$ "x35mm
(D)x16	 $\frac{1}{4}$ "x30mm
(L)	 #4

6



		
ⓐx16+ⓓx16		1/4" x 12mm
ⓐx16		1/4" x 12mm
ⓕx8		1/4" x 15mm
ⓙx48		Ø6,8*3,3*20MM
Ⓛ		#4
Ⓜ		#10



(N)x1	 LED light strip
-------	---



Return / Damage Claim Instructions

- ⚠ **DO NOT discard the box / original packaging.**
In case a return is required, the item must be returned in original box. Without this your return will not be accepted.
- ⚠ **Take a photo of the box markings.**
A photo of the markings (text) on the side of the box is required in case a part is needed for replacement. This helps our staff identify your product number to ensure you receive the correct parts.
- ⚠ **Take a photo of the damaged part (if applicable).**
A photo of the damage is always required to file a claim and get your replacement or refund processed quickly. Please make sure you have the box even if it is damaged.
- ⚠ **Send us an email with the images requested.**
Email us directly from marketplace where your item was purchased with the attached images and a description of your claim.

USA office: Fontana

AUS office: Truganina

GBR office: FDS Corporation Limited, Unit 4, Blackacre Road, Great Blakenham, Ipswich, Ip6 0FL, United Kingdom

If you're having difficulty, our friendly customer team is always here to help.



USA: cs.us@costway.com
AUS: cs.au@costway.com
GBR: cs.uk@costway.com