

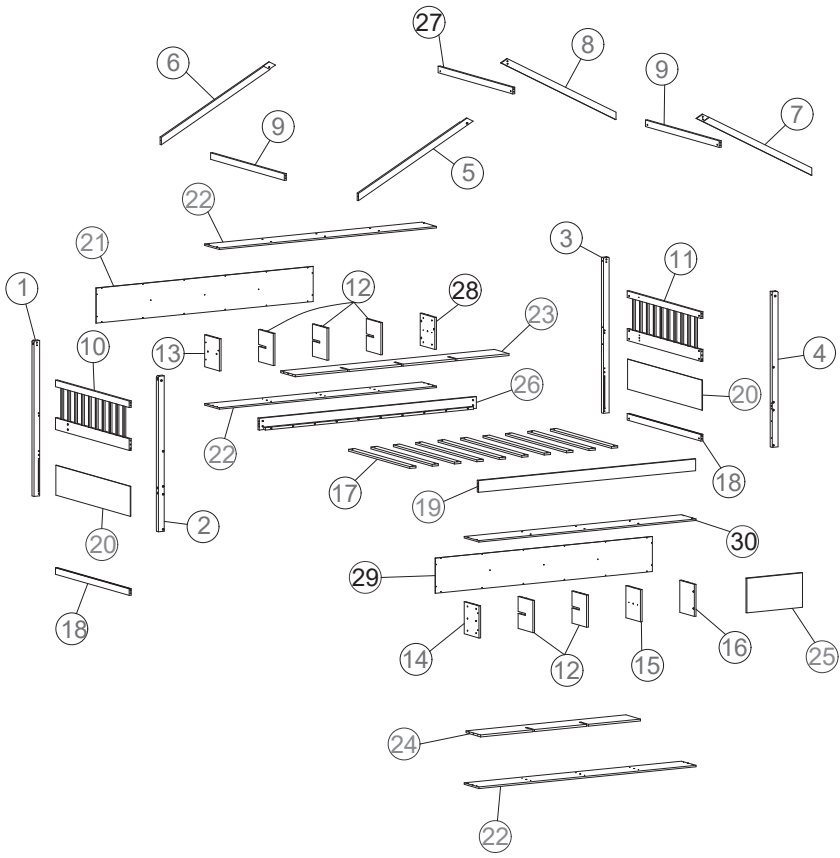
Twin Size House Bed
HU10939-T

THIS INSTRUCTION BOOKLET CONTAINS **IMPORTANT** SAFETY INFORMATION.
PLEASE READ AND KEEP FOR FUTURE REFERENCE.



Before You Start

- ⚠ Please read all instructions carefully.
- ⚠ Retain instructions for future reference.
- ⚠ Separate and count all parts and hardware.
- ⚠ Read through each step carefully and follow the proper order.
- ⚠ We recommend that, where possible, all items are assembled near to the area in which they will be placed in use, to avoid moving the product unnecessarily once assembled.
- ⚠ Always place the product on a flat, steady and stable surface.
- ⚠ Keep all small parts and packaging materials for this product away from babies and children as they potentially pose a serious choking hazard.



Part List (Box 1)

① x1



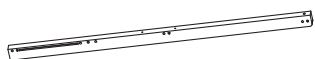
Back left leg

② x1



Front left leg

③ x1



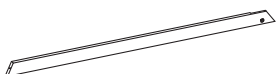
Back right leg

④ x1



Front right leg

⑤ x1



Front left roof frame

⑥ x1



Left back roof frame

⑦ x1



Front right roof frame

⑧ x1



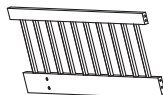
Right back roof frame

⑨ x2



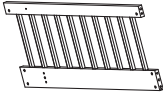
Side roof frame

⑩ x1



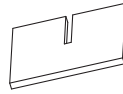
Left side guard rail

⑪ x1



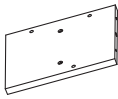
Right side guard rail

⑫ x5



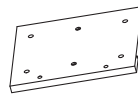
Bottom center panel

⑬ x1



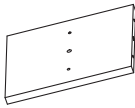
Top left panel

⑭ x1



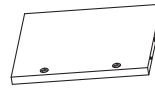
Bottom left panel

⑮ x1



Bottom right panel

⑯ x1



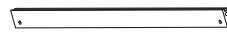
Right panel

⑰ x10



Slat

⑱ x2



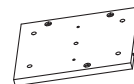
Bottom wood bar

⑳ x1



Back right roof frame

㉑ x1



Top right panel

Part List (Box 2)

①9 x1



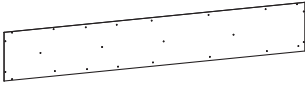
Front side rail

②0 x2



Panel of both sides

②1 x1



Back panel

②2 x3



Top panel

②3 x1



Center panel

②4 x1



Bottom panel

②5 x1



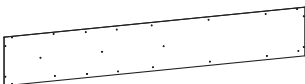
Door

②6 x1



Back side rail

②9 x1




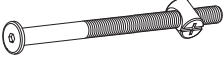









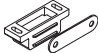


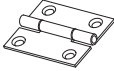
Back panel

③0 x1

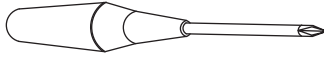


Bottom center panel

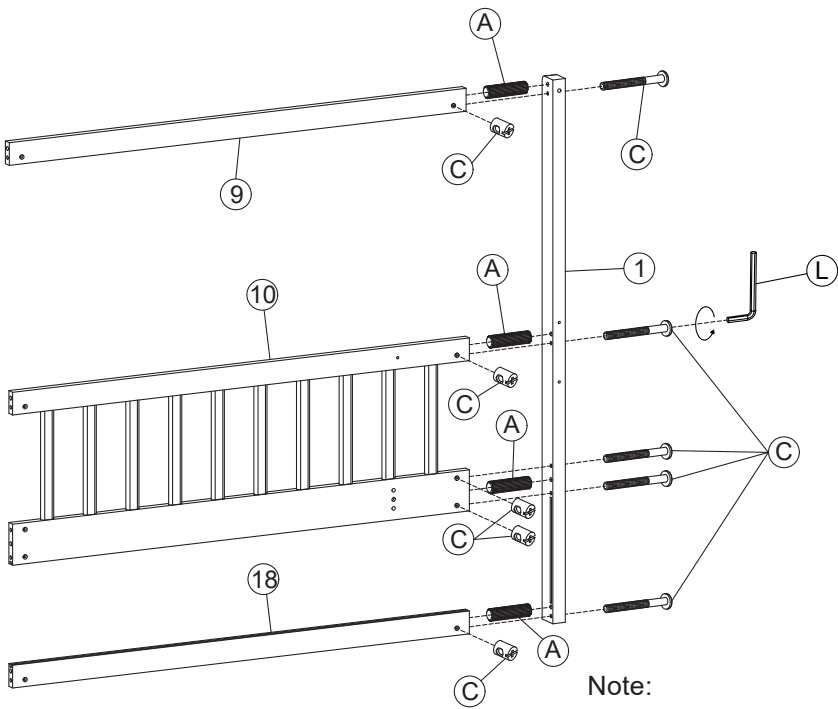
Hardware List (Box 1)

| | | |
|---|--|---|
|  Ø8*30mm (A) x48 Dowel |  M6*90mm (B) x4 Bolts |  M6*70mm (C) x20 Bolts |
|  M6*60mm (D) x6 Bolts |  M6*70mm (E) x4 Bolts |  M6*25mm (F) x10 Bolts |
|  #8*50mm (G) x48 Flat head screw |  #8*30mm (H) x20 Flat head screw |  #8*15mm (I) x47 Round head screw |
|  Ø10*10mm (K) x48 Cross dowel |  60*22*4mm (L) x1 Allen key |  (M) x1 Inhaler magnet |
|  #7*15mm (N) x2 Flat head screw |  #6*12mm (O) x10 Flat head screw |  (P) x2 Door Hinge |




ASSEMBLY TOOLS REQUIRED (NOT INCLUDED)

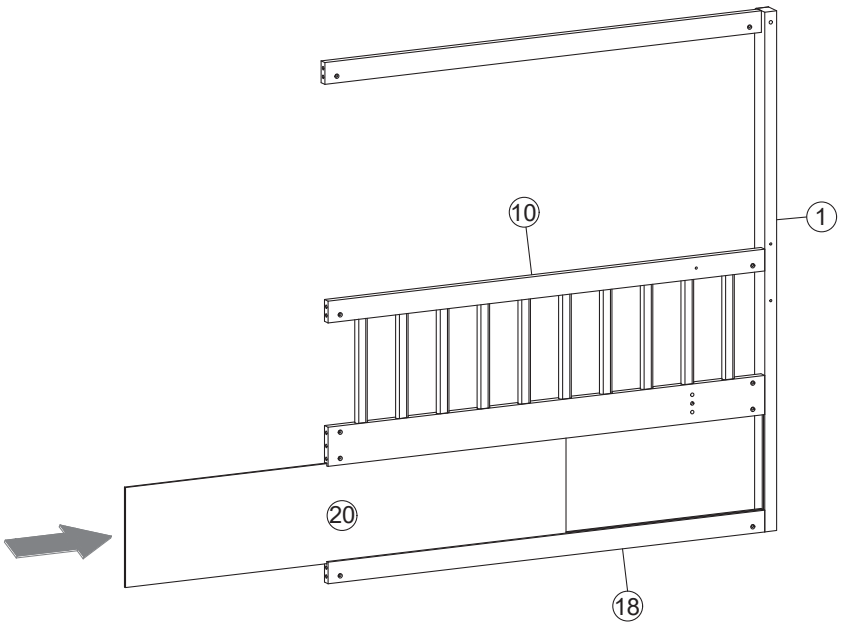


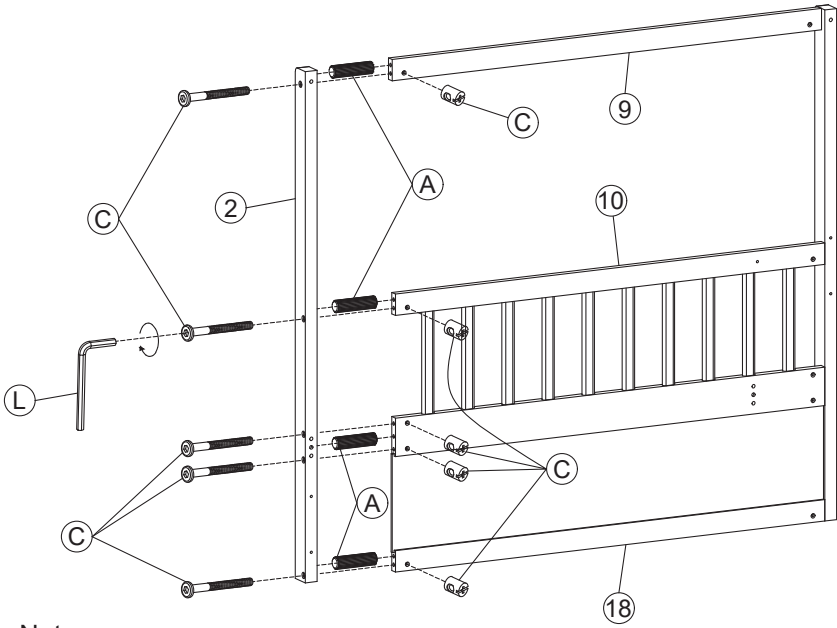
1






Note:
Do not lock the bolt.

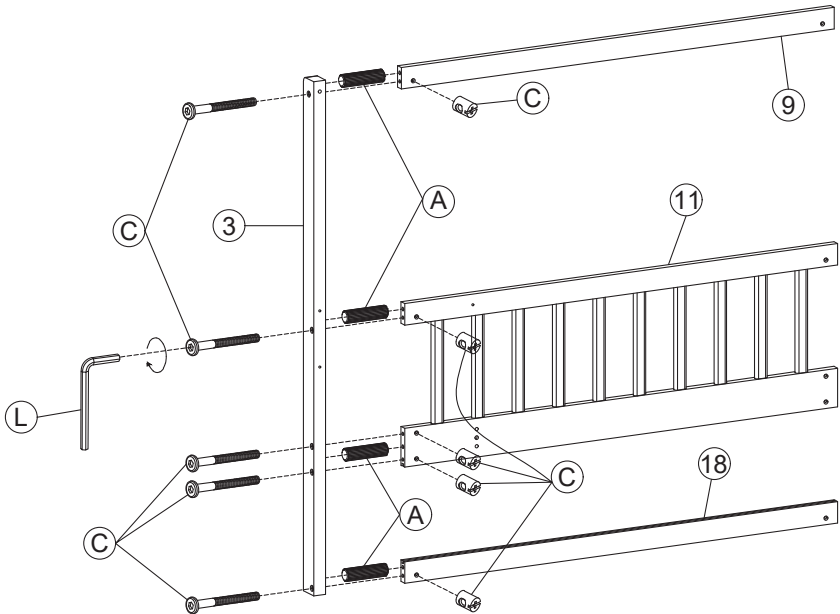
| | | | | | |
|-----|---|----|-----|---|----|
| (A) |  | x4 | | | |
| (C) |  | x5 | (L) |  | x1 |





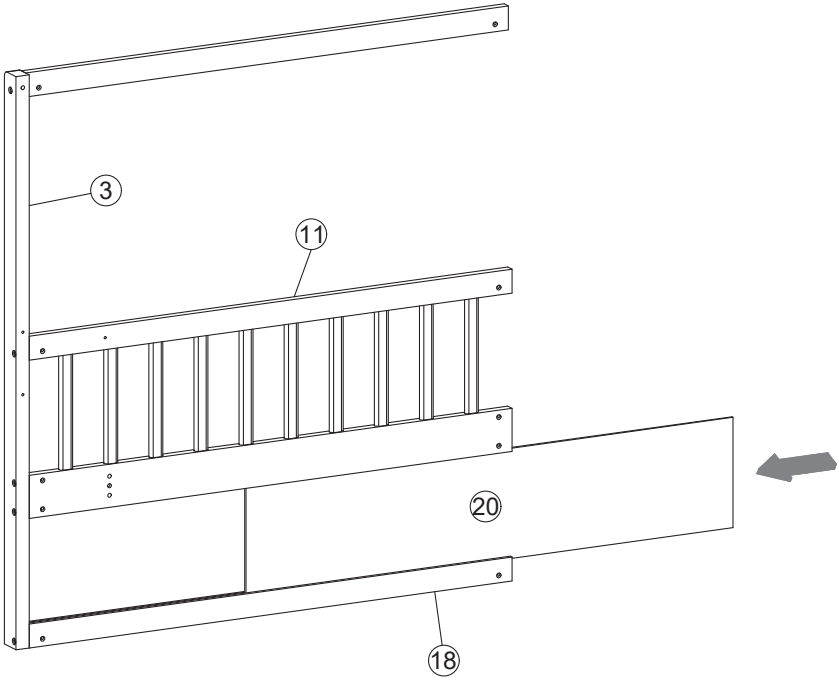
Note :
Lock the bolt.

| | | |
|-----|---|----|
| (A) |  | x4 |
| (C) |  | x5 |
| (L) |  | x1 |

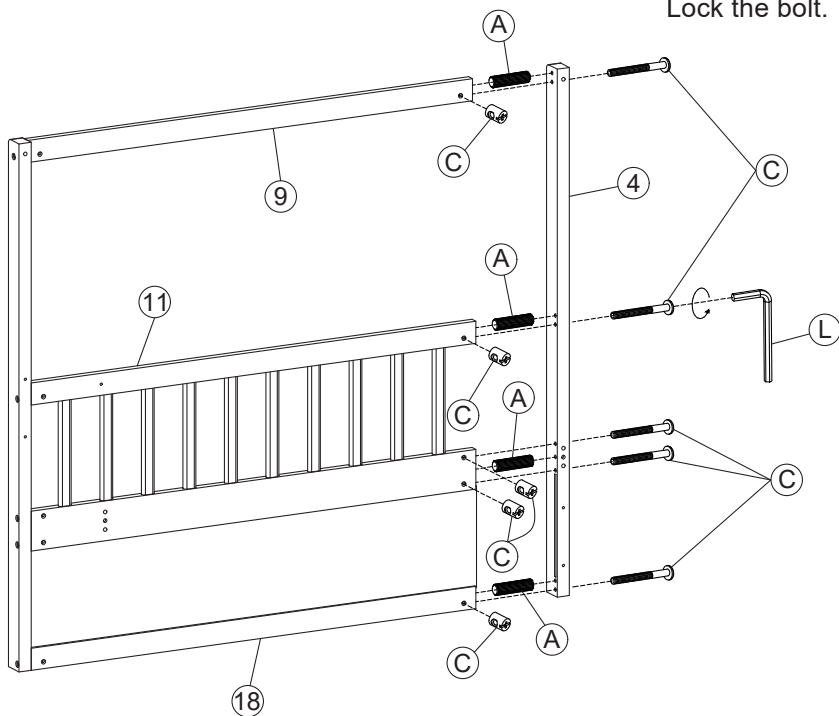


Note :
Do not lock the bolt.

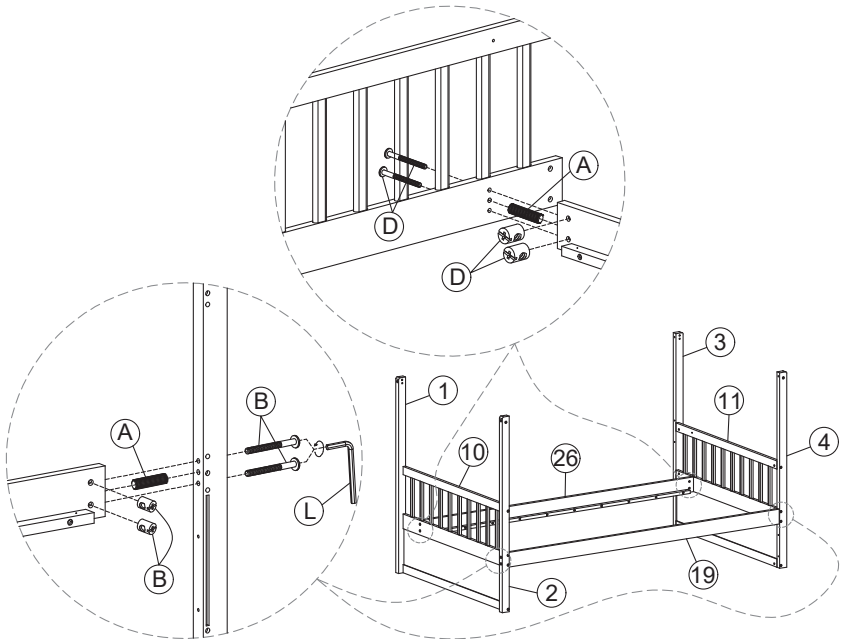
| | | |
|-----|--|----|
| (A) | | x4 |
| (C) | | x5 |
| (L) | | x1 |



Note :
Lock the bolt.

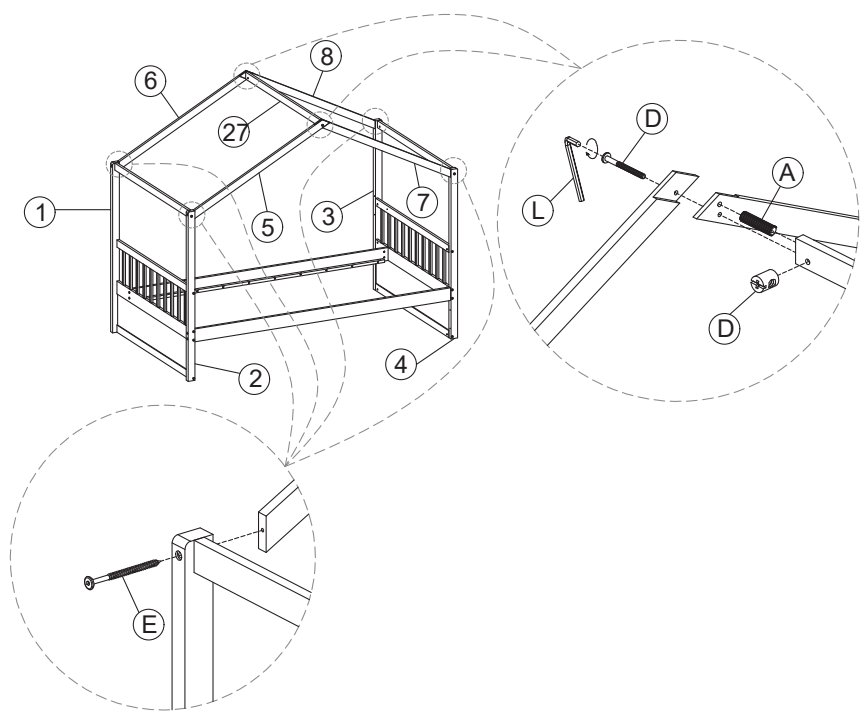






| | | |
|-----|--|----|
| (A) | | x4 |
| (C) | | x5 |
| (L) | | x1 |

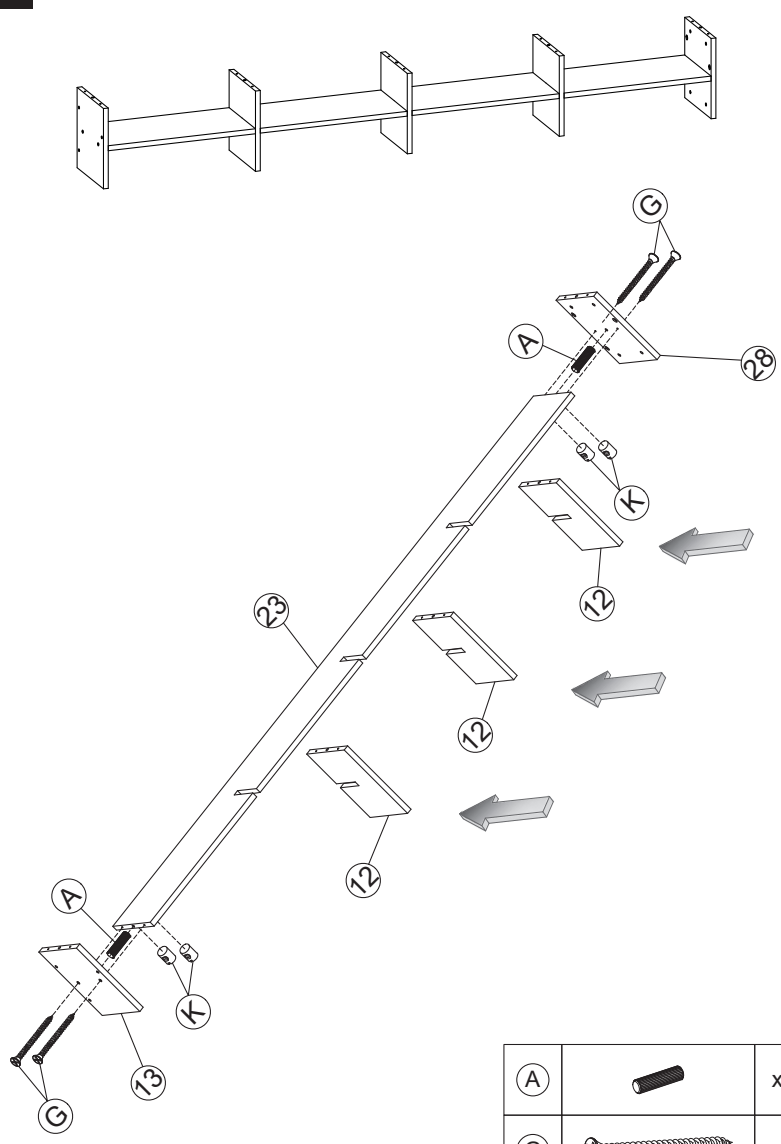





Note :
Do not lock the bolt.

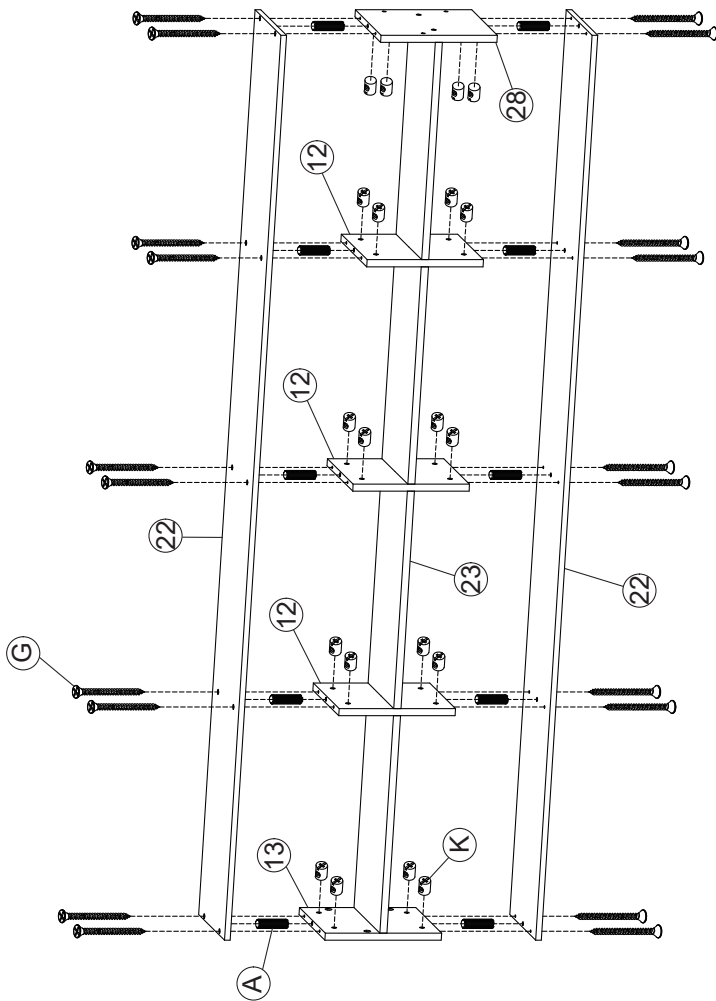
| | | |
|-----|--|----|
| (A) | | x4 |
| (B) | | x4 |
| (D) | | x4 |
| (L) | | x1 |






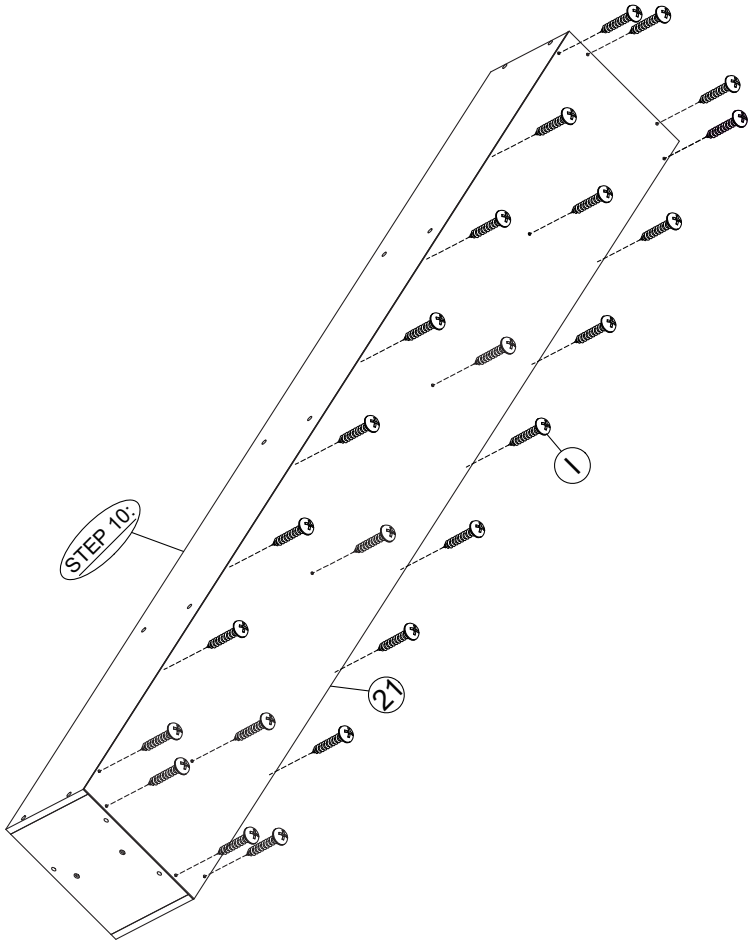
| | | |
|-----|---|----|
| (A) |  | x2 |
| (D) |  | x2 |
| (E) |  | x4 |
| (L) |  | x1 |




| | | |
|-----|---|----|
| (A) |  | x2 |
| (G) |  | x4 |
| (K) |  | x4 |

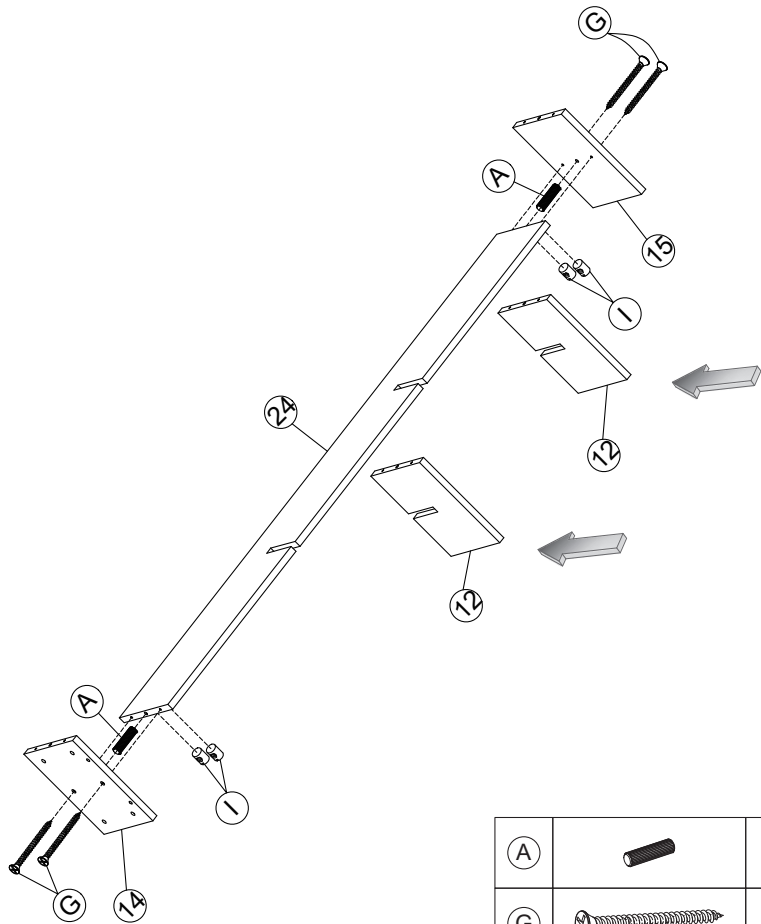
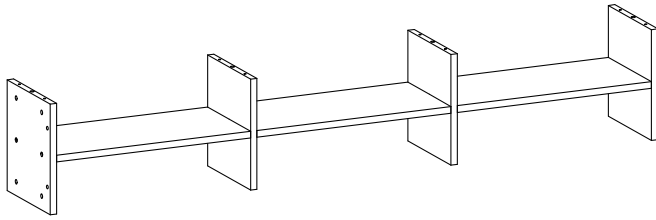


| | | |
|---|---|-----|
| A |  | x10 |
| G |  | x20 |
| K |  | x20 |

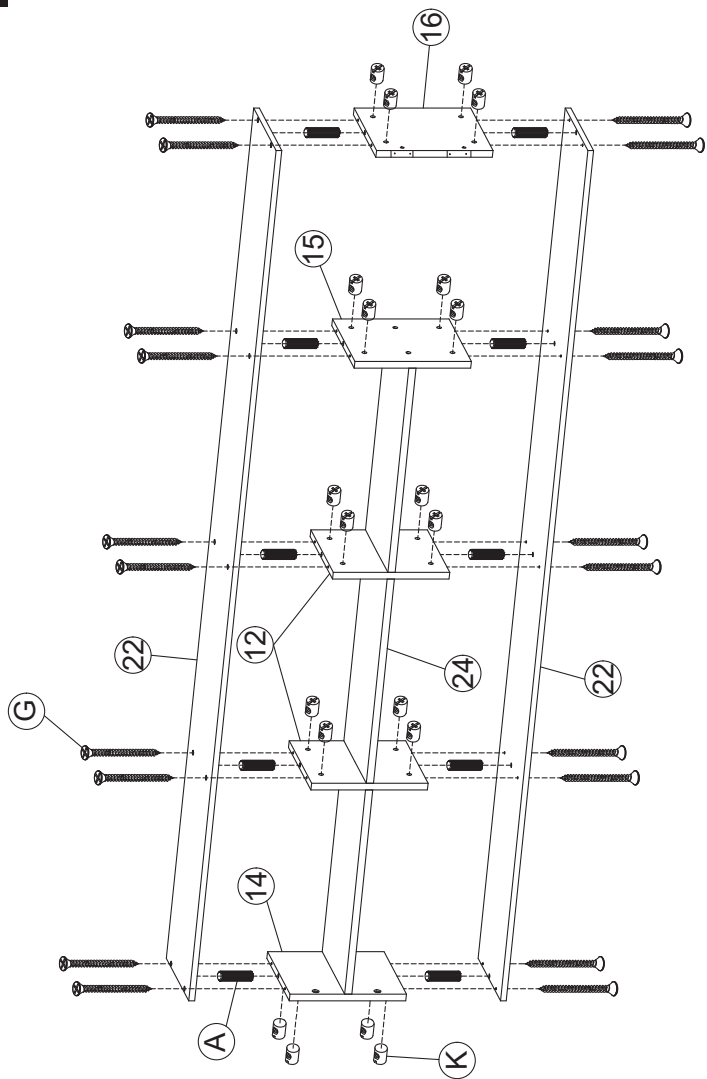





| | | |
|---|---|-----|
| 1 |  | x24 |
|---|---|-----|

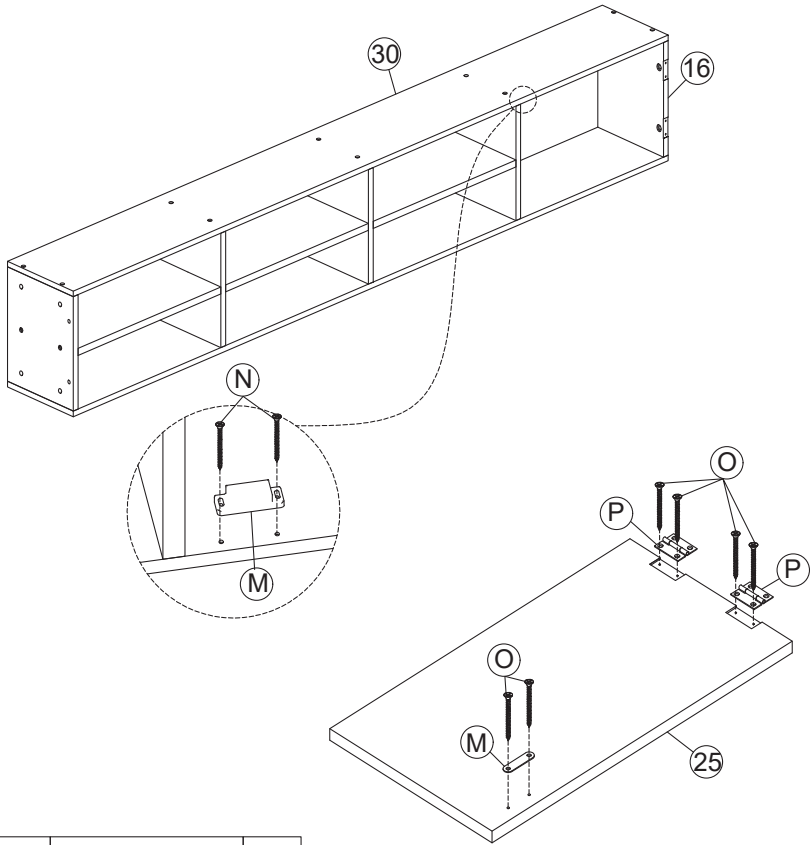
12




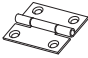


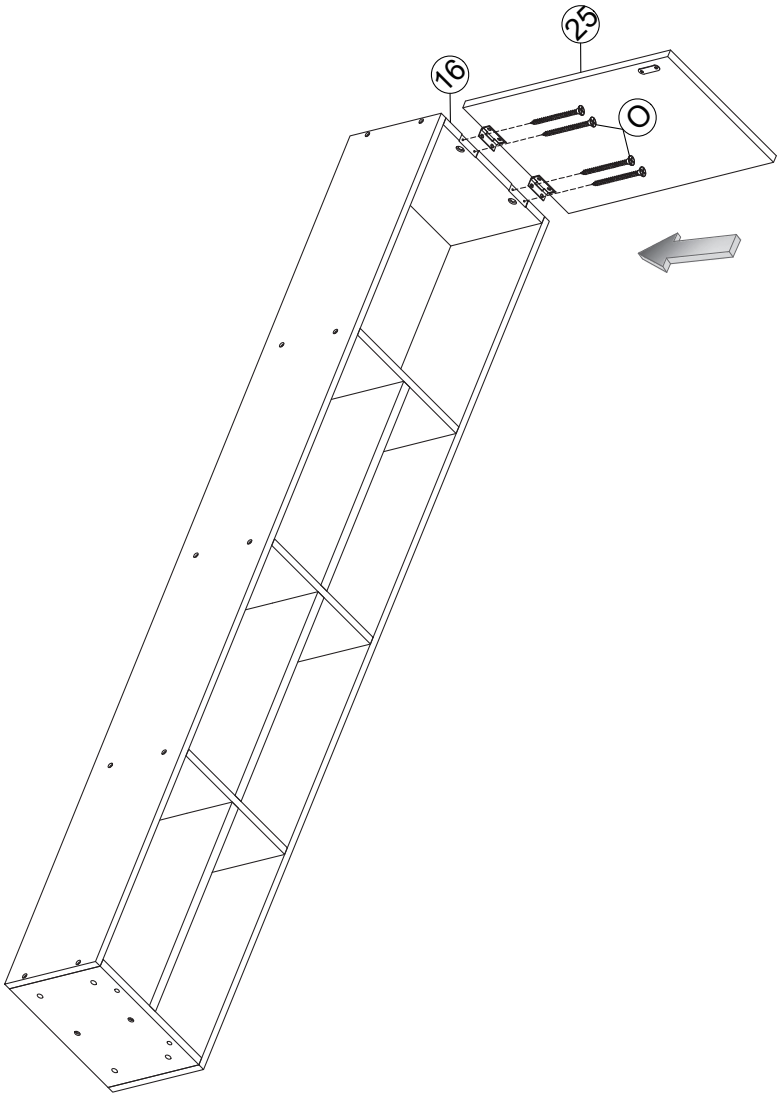
| | | |
|-----|--|----|
| (A) | | x2 |
| (G) | | x4 |
| (K) | | x4 |





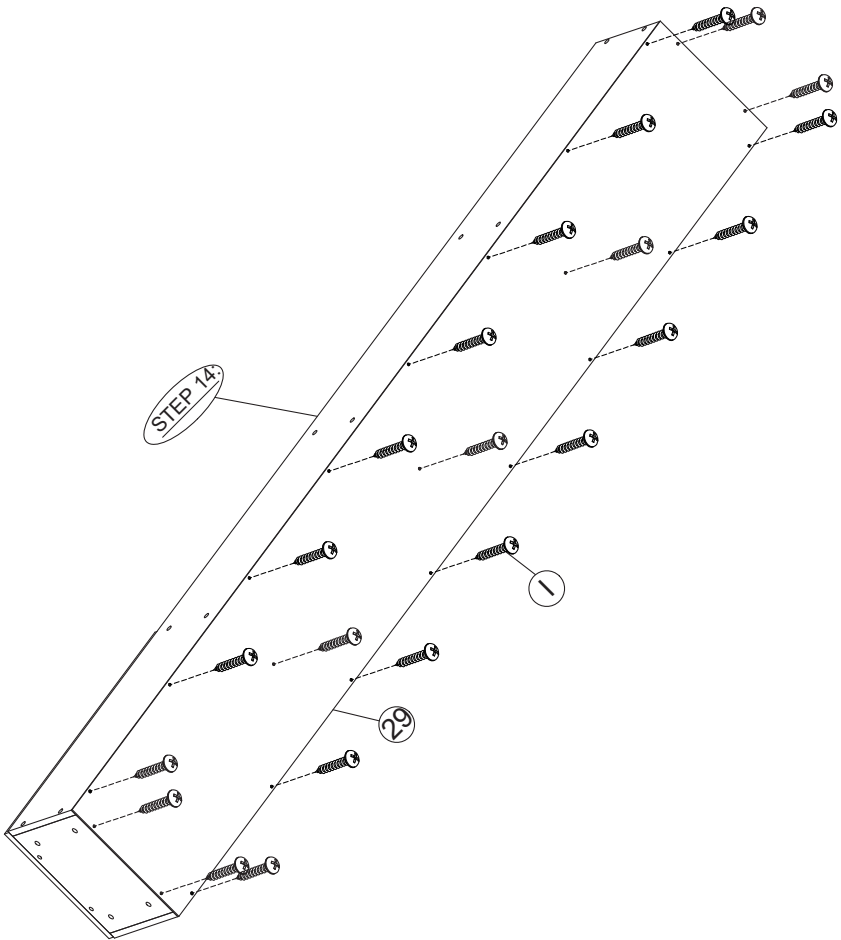
| | | | | | |
|-----|---|-----|-----|---|-----|
| (G) |  | x20 | (A) |  | x10 |
| | | | (K) |  | x20 |



| | | |
|-----|---|----|
| (M) |  | x1 |
| (N) |  | x2 |
| (O) |  | x6 |
| (P) |  | x2 |





| | | |
|---|---|----|
|  |  | x4 |
|---|---|----|

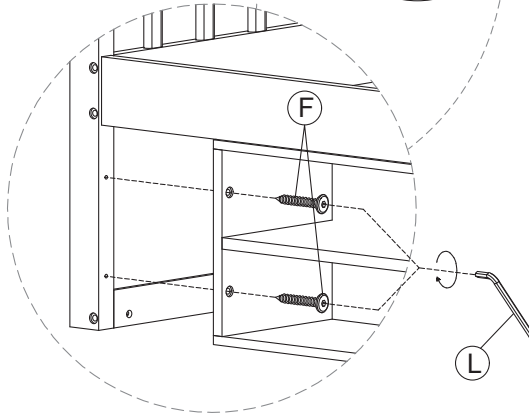
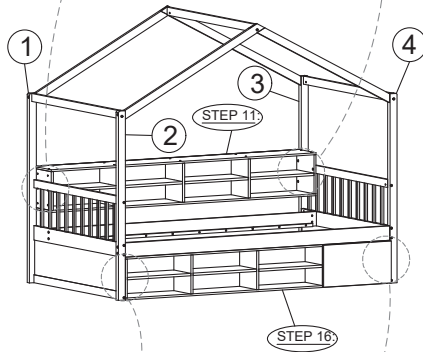
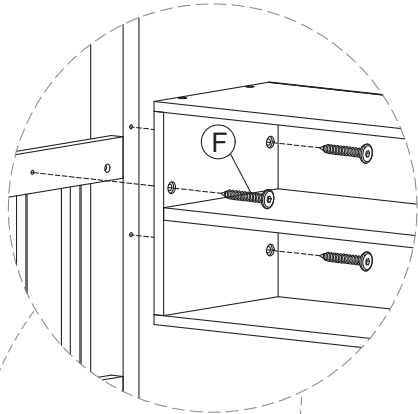


| | | |
|---|---|-----|
| 1 |  | x23 |
|---|---|-----|

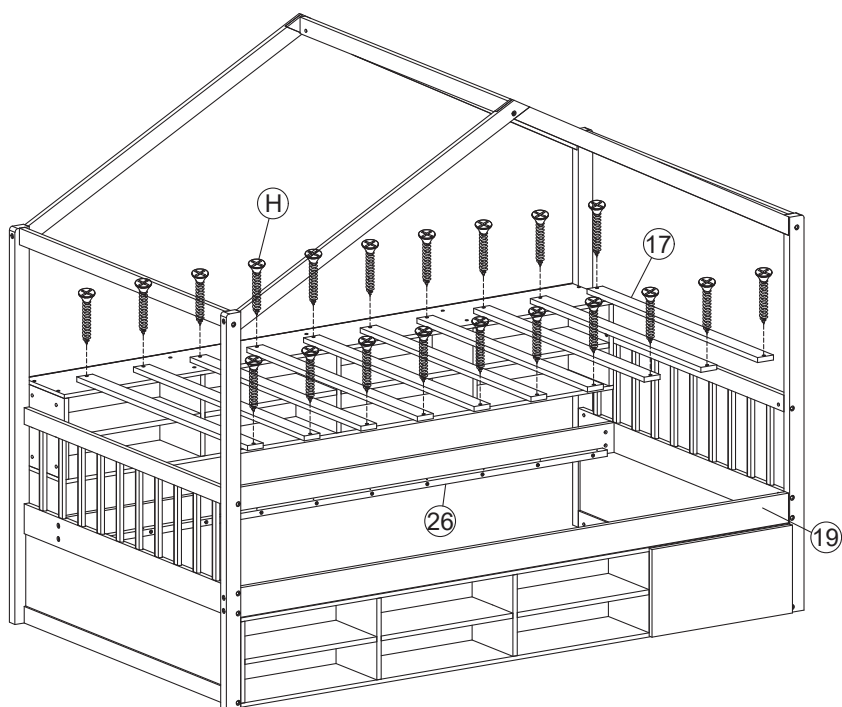
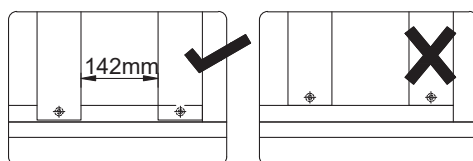
17


| | | |
|-----|---|-----|
| (F) |  | x10 |
| (L) |  | x1 |

Note :
Lock the bolt.

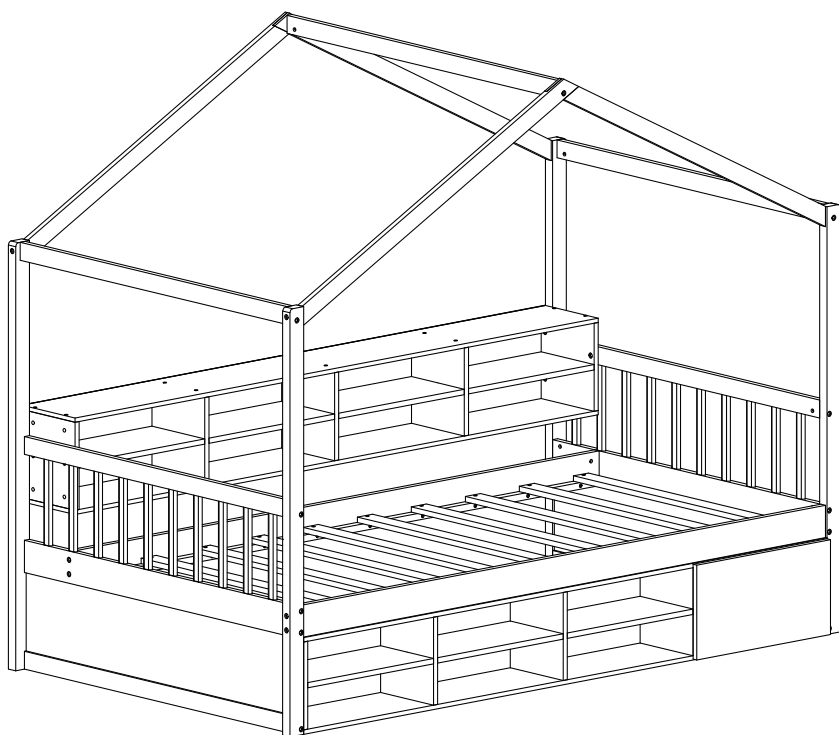


18



| | | |
|-----|---|-----|
| (H) |  | x20 |
|-----|---|-----|

FINAL:





Return / Damage Claim Instructions

- ⚠ DO NOT discard the box / original packaging.**
In case a return is required, the item must be returned in original box. Without this your return will not be accepted.
- ⚠ Take a photo of the box markings.**
A photo of the markings (text) on the side of the box is required in case a part is needed for replacement. This helps our staff identify your product number to ensure you receive the correct parts.
- ⚠ Take a photo of the damaged part (if applicable).**
A photo of the damage is always required to file a claim and get your replacement or refund processed quickly. Please make sure you have the box even if it is damaged.
- ⚠ Send us an email with the images requested.**
Email us directly from marketplace where your item was purchased with the attached images and a description of your claim.

USA office: Fontana

AUS office: Truganina

GBR office: FDS Corporation Limited, Unit 4, Blackacre Road, Great Blakenham, Ipswich, Ip6 0FL, United Kingdom

If you're having difficulty, our friendly customer team is always here to help.



USA: cs.us@costway.com

AUS: cs.au@costway.com

GBR: cs.uk@costway.com