

Daybed
HU10938-T

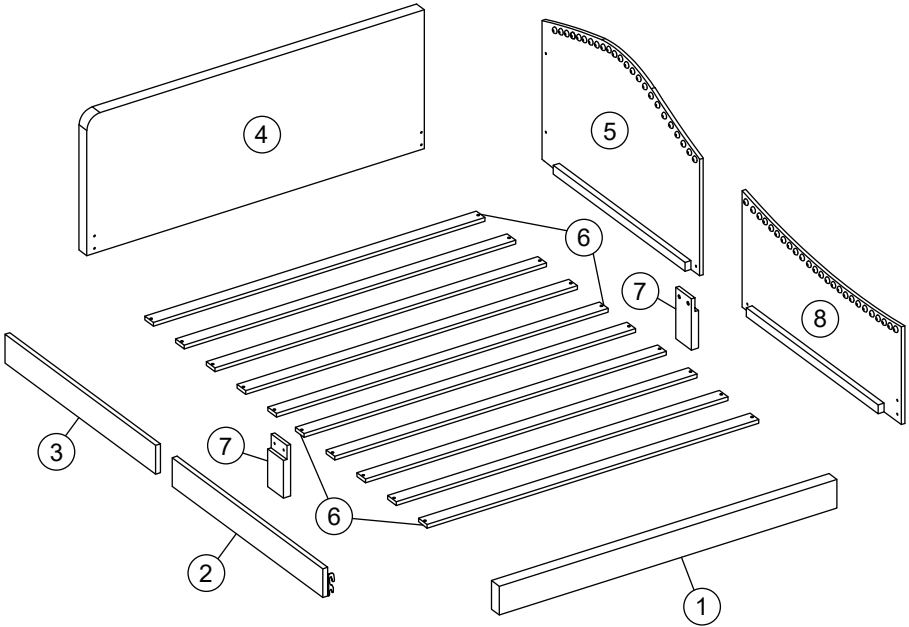
THIS INSTRUCTION BOOKLET CONTAINS **IMPORTANT** SAFETY INFORMATION.
PLEASE READ AND KEEP FOR FUTURE REFERENCE.



Before You Start

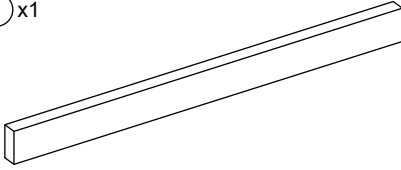
- ⚠ Please read all instructions carefully.
- ⚠ Retain instructions for future reference.
- ⚠ Separate and count all parts and hardware.
- ⚠ Read through each step carefully and follow the proper order.
- ⚠ We recommend that, where possible, all items are assembled near to the area in which they will be placed in use, to avoid moving the product unnecessarily once assembled.
- ⚠ Always place the product on a flat, steady and stable surface.
- ⚠ Keep all small parts and packaging materials for this product away from babies and children as they potentially pose a serious choking hazard.

Detail:



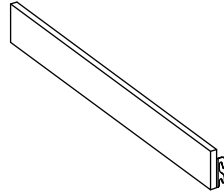
Parts list / Liste des Pièces

① x1



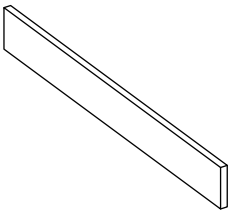
Footboard

② x1



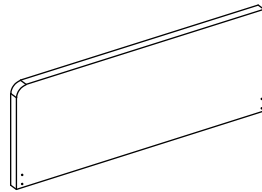
Side Rail

③ x1



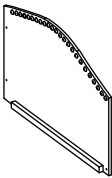
Side Rail

④ x1



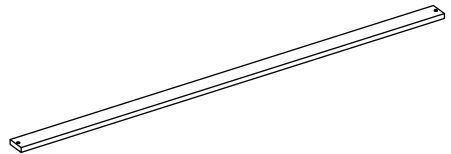
Headboard

⑤ x1



Side Rail

⑥ x10



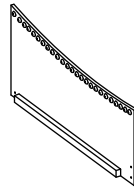
Slat

⑦ x2



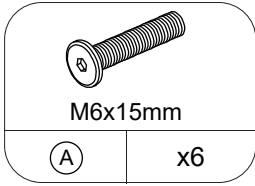
Slat

⑧ x1

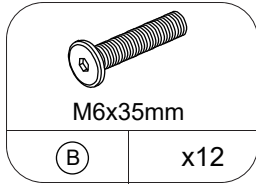


Side Rail

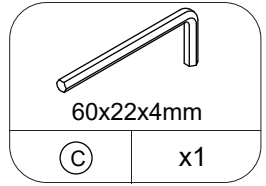
Hardware list



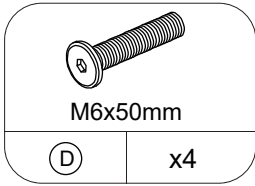
Bolt



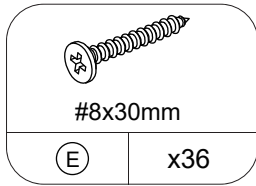
Bolt



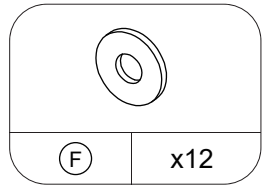
Allen Key



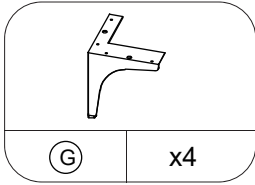
Bolt



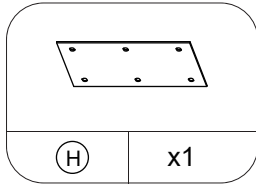
Flat Head Screw



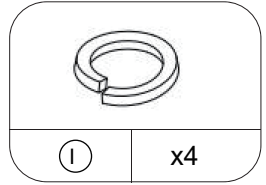
Flat Washer



Metal Bracket



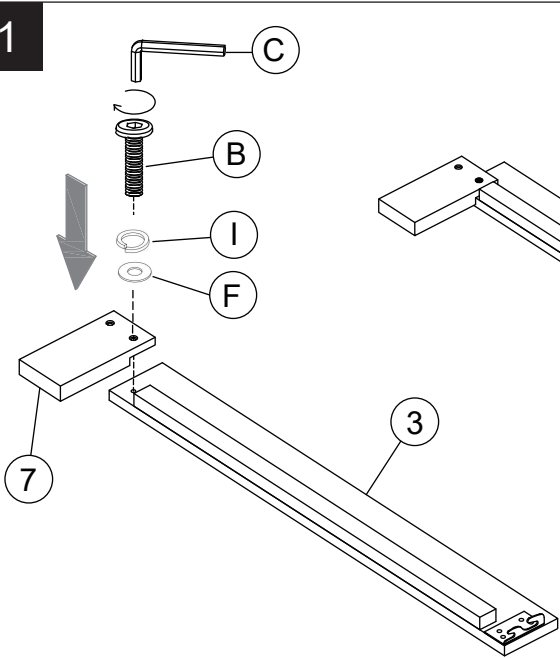
Metal Connection



Lock Washer

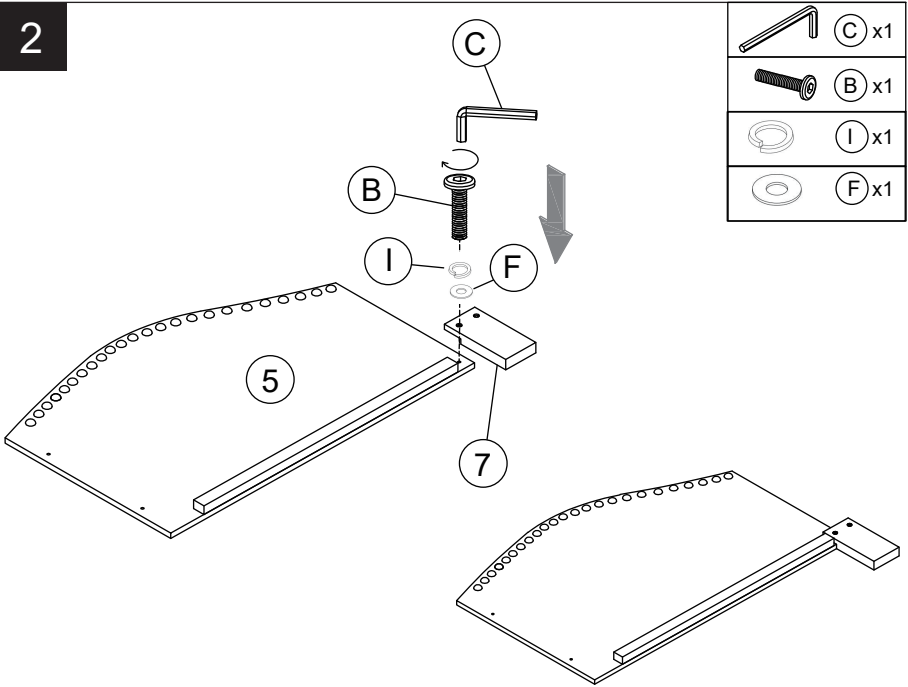


1



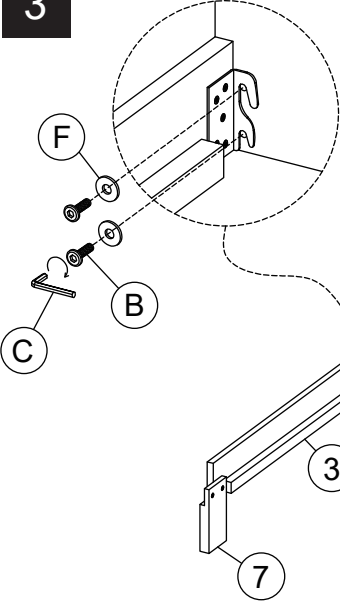
	(C) x1
	(B) x1
	(I) x1
	(F) x1





2



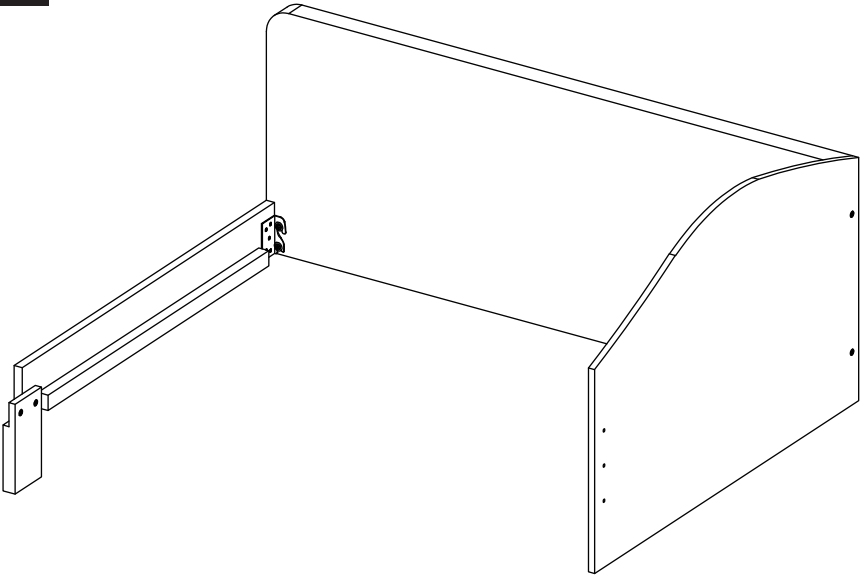
	(C) x1
	(B) x1
	(I) x1
	(F) x1

3

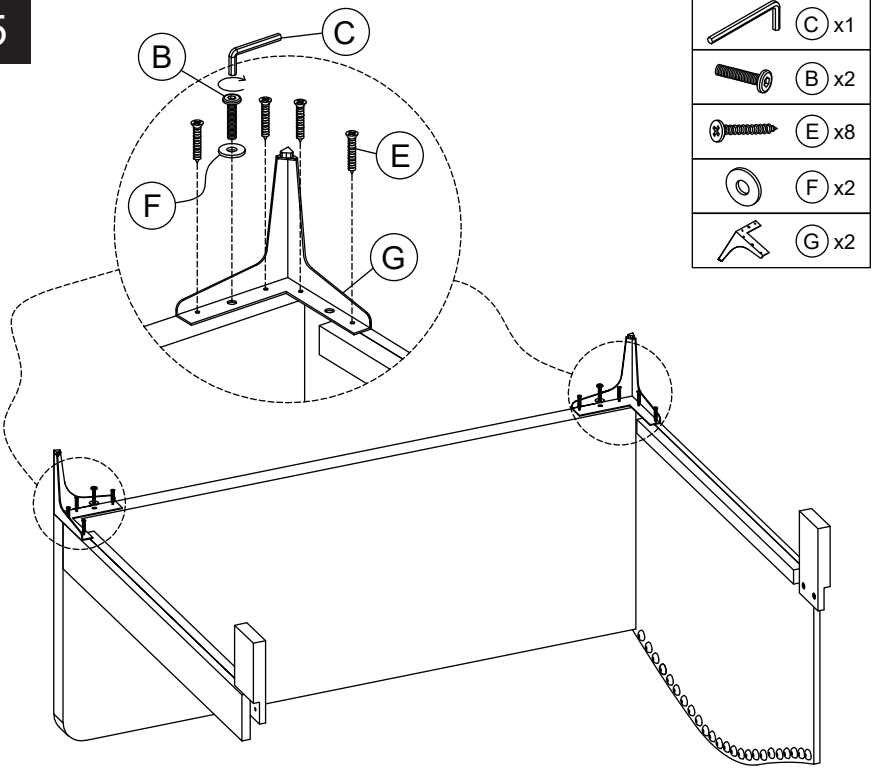


	(C) x1
	(B) x2
	(D) x2
	(F) x2

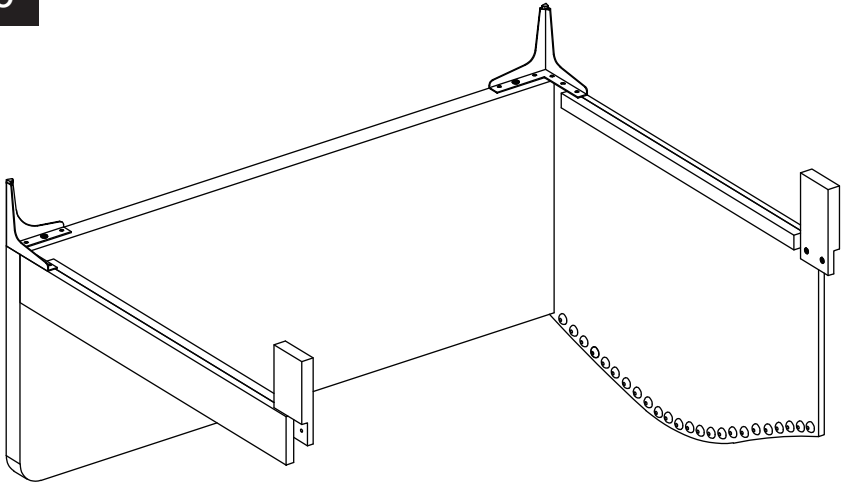
4







5

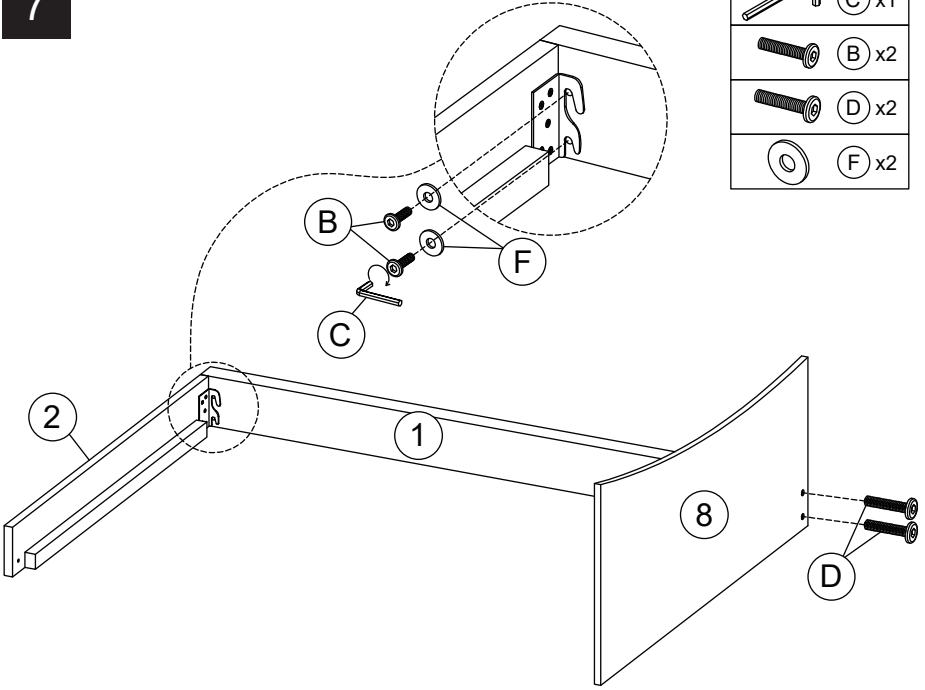


6

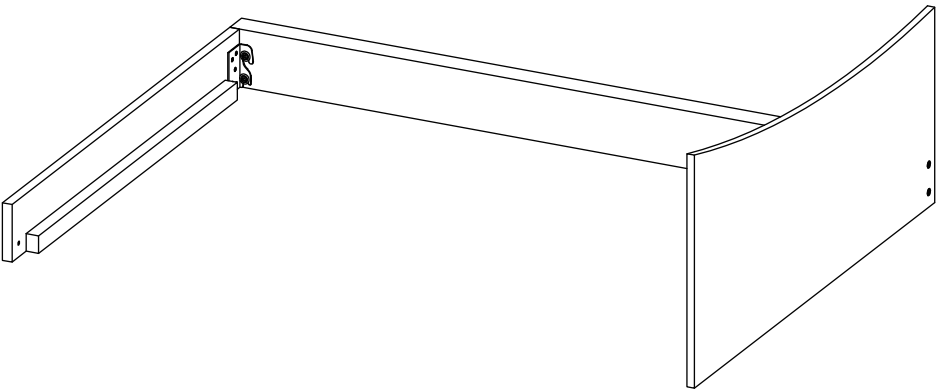


7

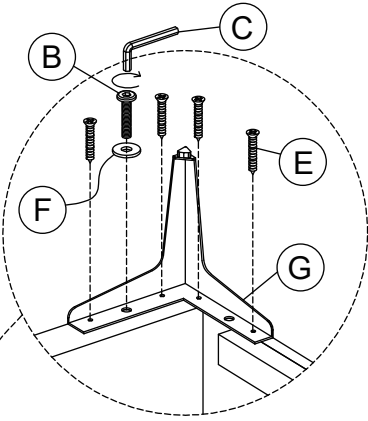
	(C) x1
	(B) x2
	(D) x2
	(F) x2



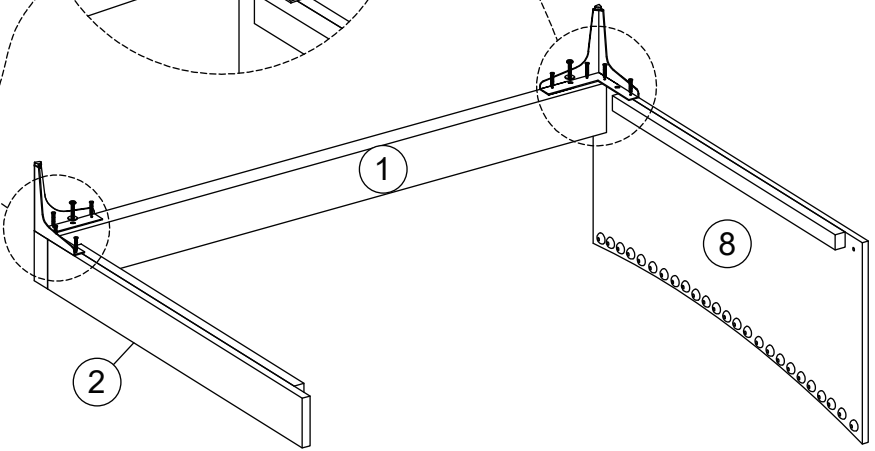
8



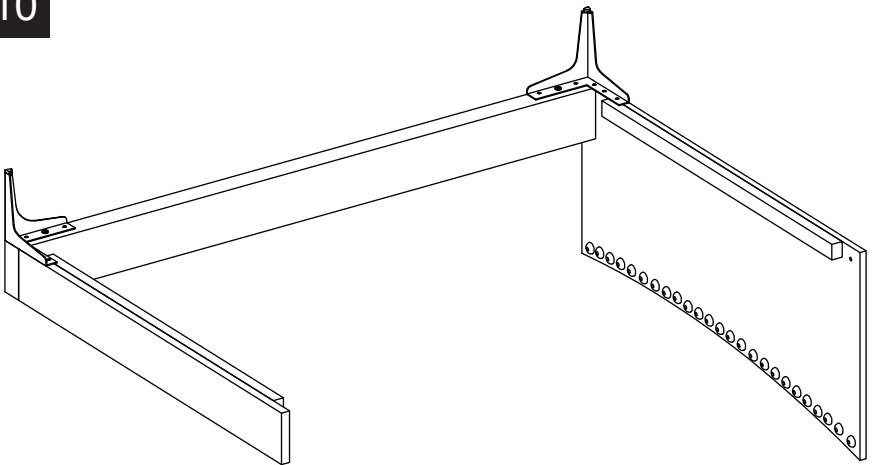
9







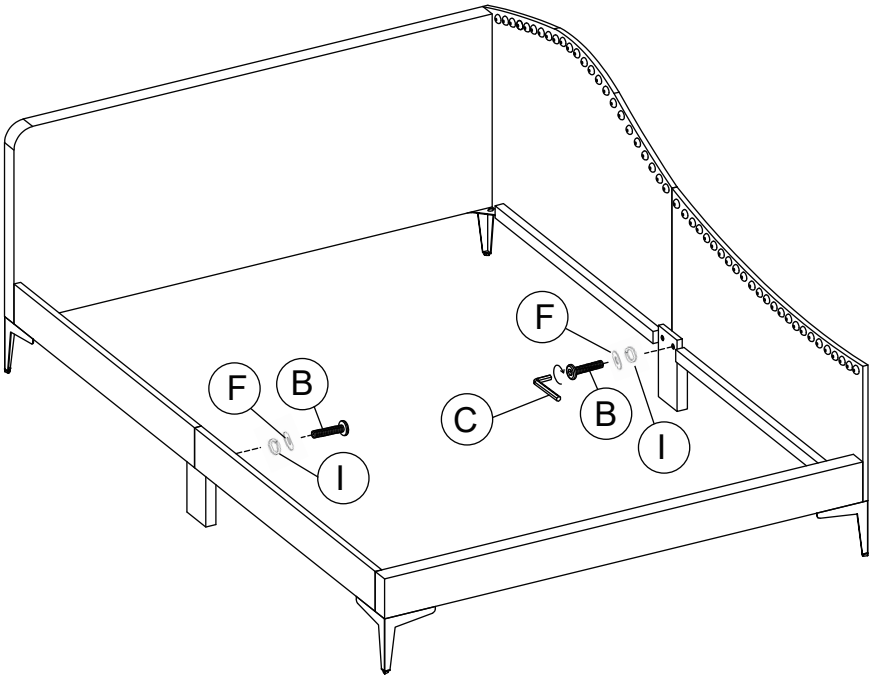
	(C) x1
	(B) x2
	(E) x8
	(F) x2
	(G) x2





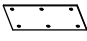
10

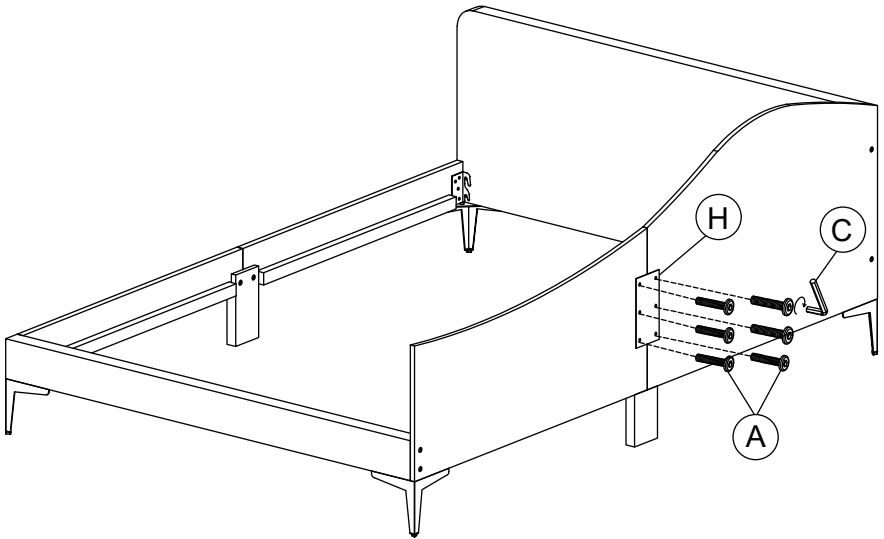


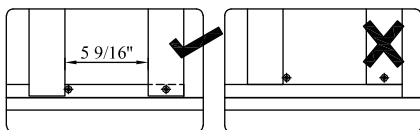
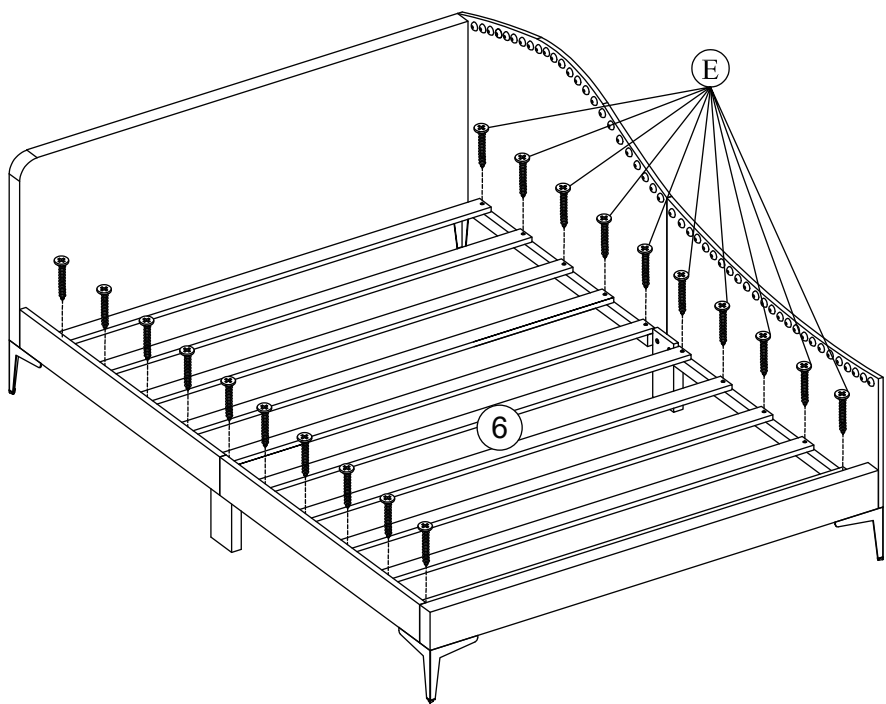
	(C) x1
	(B) x2
	(I) x2
	(F) x2



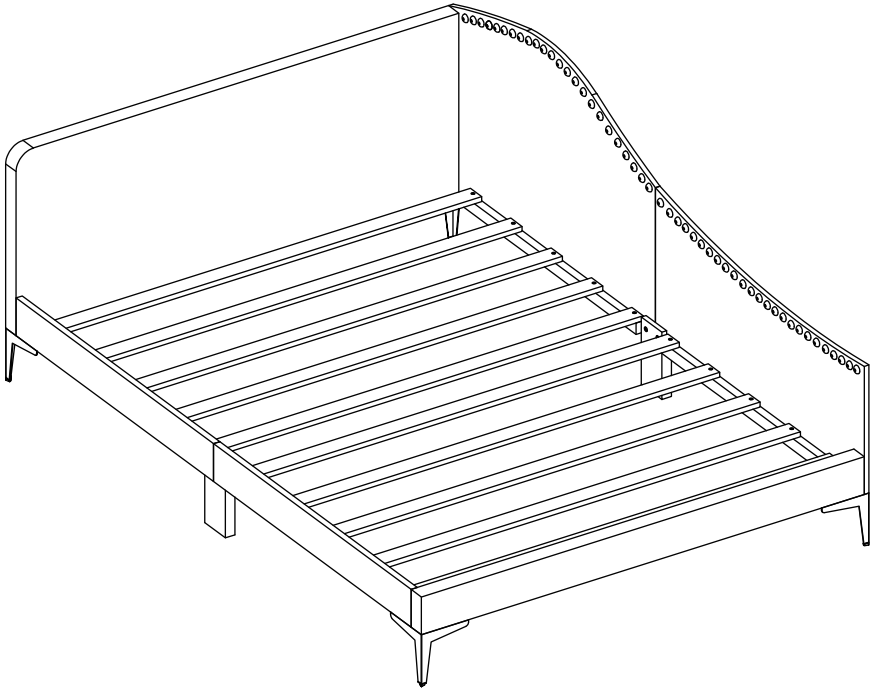
12

	(C) x1
	(A) x6
	(H) x1





FINAL:





Return / Damage Claim Instructions

- ⚠ DO NOT discard the box / original packaging.**
In case a return is required, the item must be returned in original box. Without this your return will not be accepted.
- ⚠ Take a photo of the box markings.**
A photo of the markings (text) on the side of the box is required in case a part is needed for replacement. This helps our staff identify your product number to ensure you receive the correct parts.
- ⚠ Take a photo of the damaged part (if applicable).**
A photo of the damage is always required to file a claim and get your replacement or refund processed quickly. Please make sure you have the box even if it is damaged.
- ⚠ Send us an email with the images requested.**
Email us directly from marketplace where your item was purchased with the attached images and a description of your claim.

USA office: Fontana

AUS office: Truganina

GBR office: FDS Corporation Limited, Unit 4, Blackacre Road, Great Blakenham, Ipswich, Ip6 0FL, United Kingdom

If you're having difficulty, our friendly customer team is always here to help.



USA: cs.us@costway.com
AUS: cs.au@costway.com
GBR: cs.uk@costway.com