

USA office: Fontana      AUS office: Truganina

GBR office: FDS Corporation Limited, Unit 4, Blackacre Road, Great Blakenham, Ipswich, Ip6 0FL, United Kingdom

If you're having difficulty, our friendly customer team is always here to help.



USA:cs.us@costway.com  
AUS:cs.au@costway.com  
GBR:cs.uk@costway.com

Side Table with Wheels

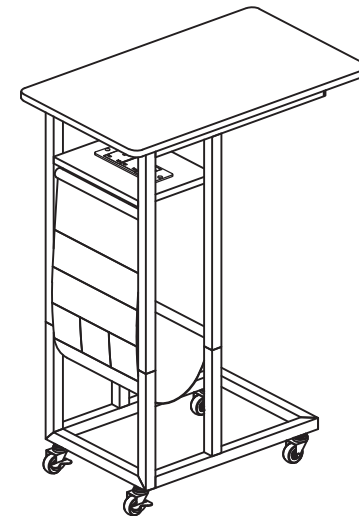
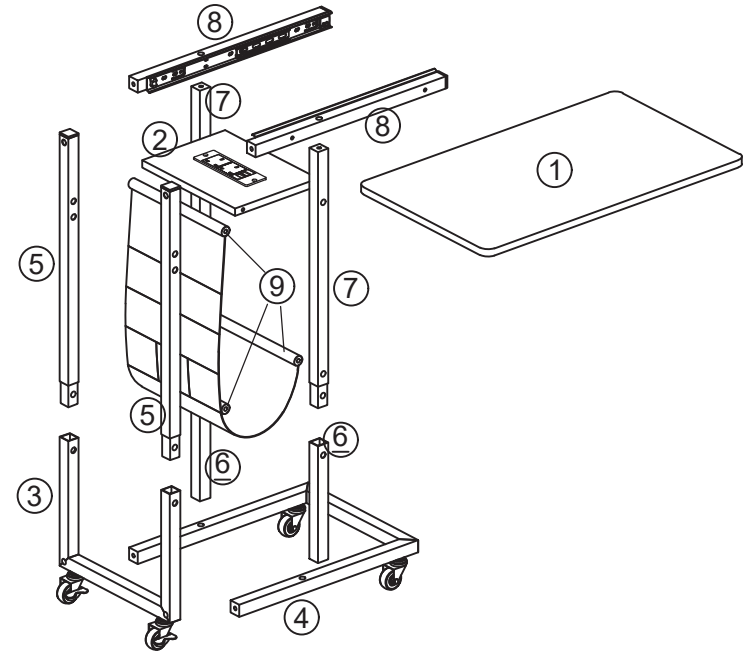
**JV11948GB**

THIS INSTRUCTION BOOKLET CONTAINS **IMPORTANT** SAFETY INFORMATION.  
PLEASE READ AND KEEP FOR FUTURE REFERENCE.

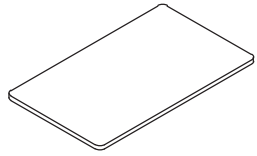


## Before You Start

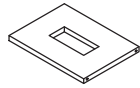
- ⚠ Please read all instructions carefully.
- ⚠ Retain instructions for future reference.
- ⚠ Separate and count all parts and hardware.
- ⚠ Read through each step carefully and follow the proper order.
- ⚠ We recommend that, where possible, all items are assembled near to the area in which they will be placed in use, to avoid moving the product unnecessarily once assembled.
- ⚠ Always place the product on a flat, steady and stable surface.
- ⚠ Keep all small parts and packaging materials for this product away from babies and children as they potentially pose a serious choking hazard.



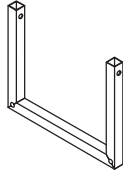
① x1



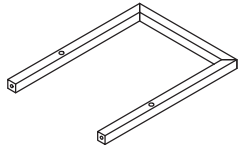
② x1



③ x1



④ x1



⑤ x2



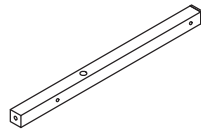
⑥ x2



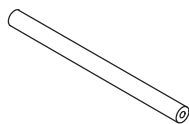
⑦ x2



⑧ x2



⑨ x3



Ax14



M6X40

Bx2



M6X16

Cx4



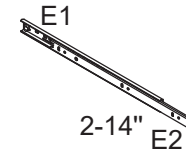
ST5X50

Dx6



ST3.5X12

Ex2



Fx2



M6X12

Gx4



M4X25

Hx8



M4X6

Ix12



M4X7

Jx4



Kx2



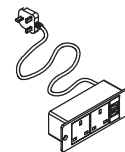
1.5"

Lx2

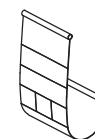


1.5"

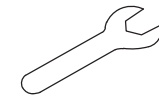
Mx1



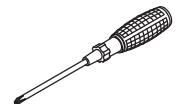
Nx1

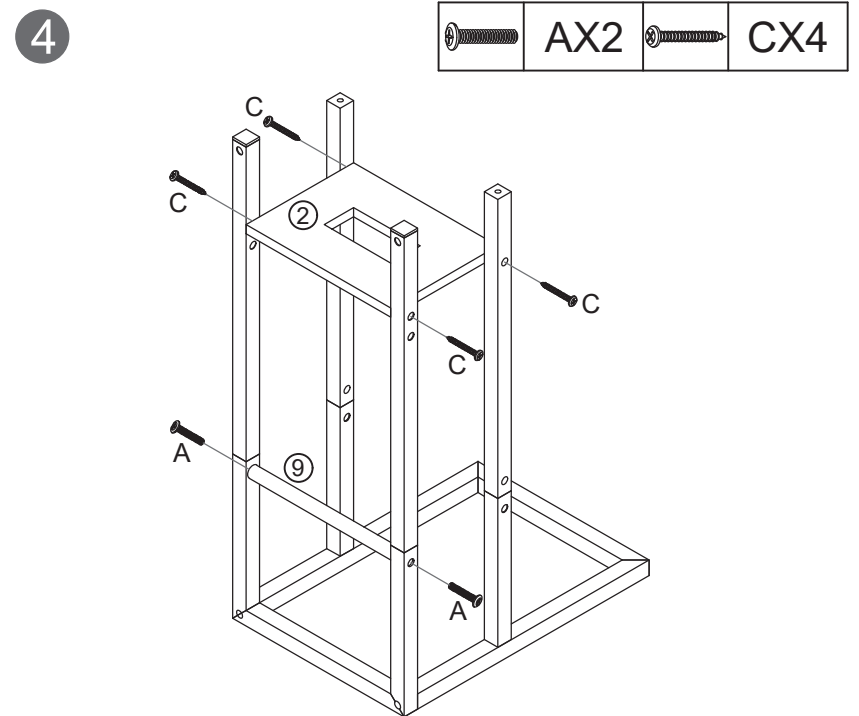
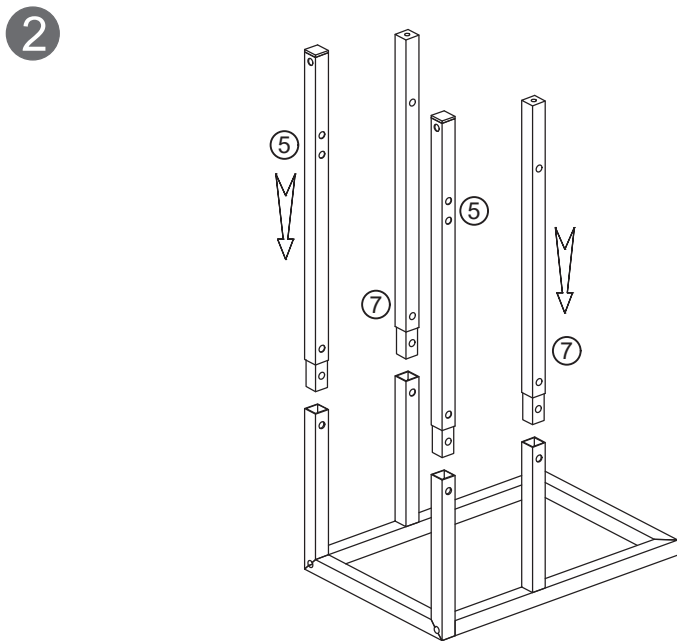
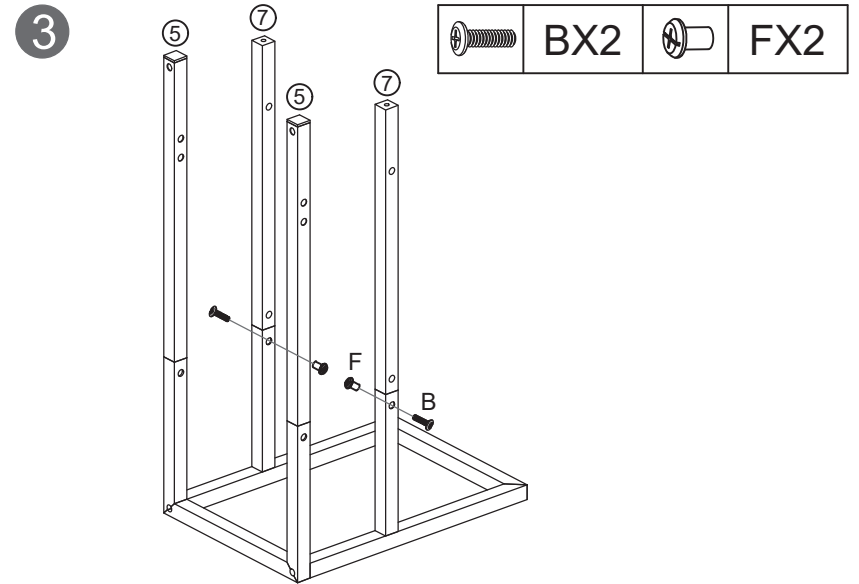
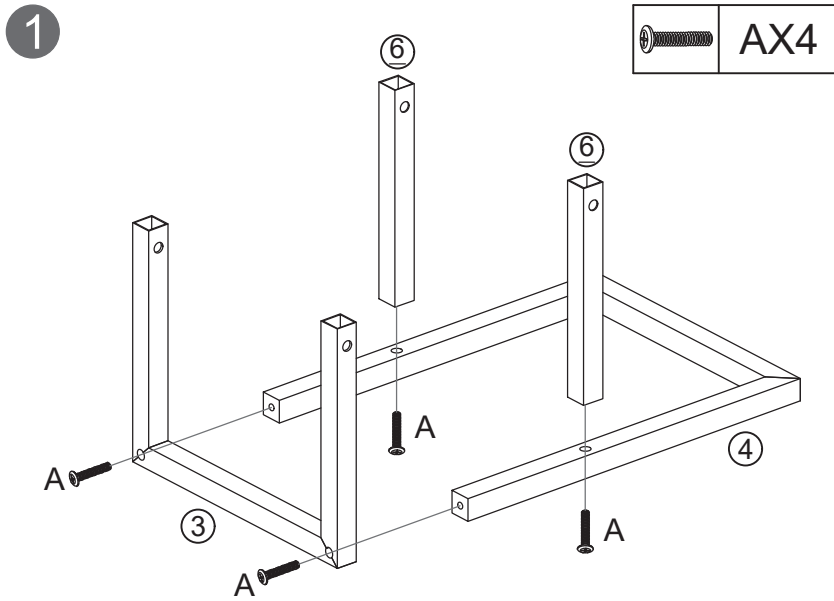


Ox1

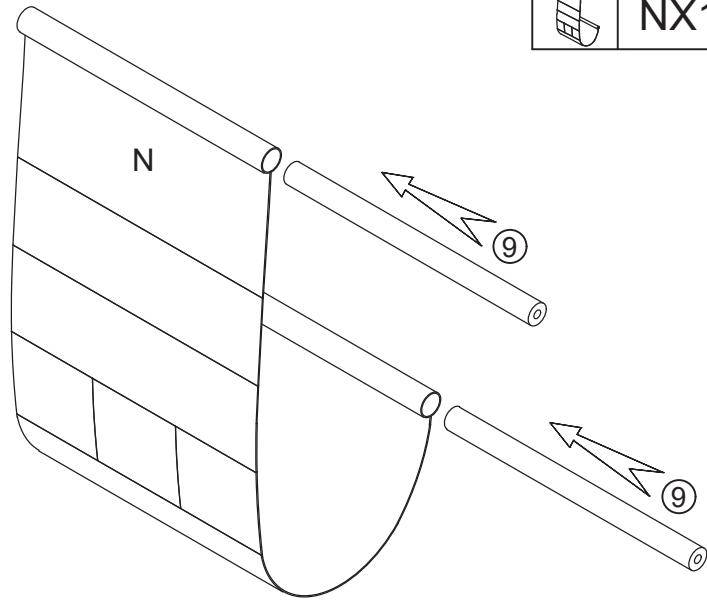


x1

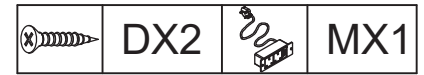




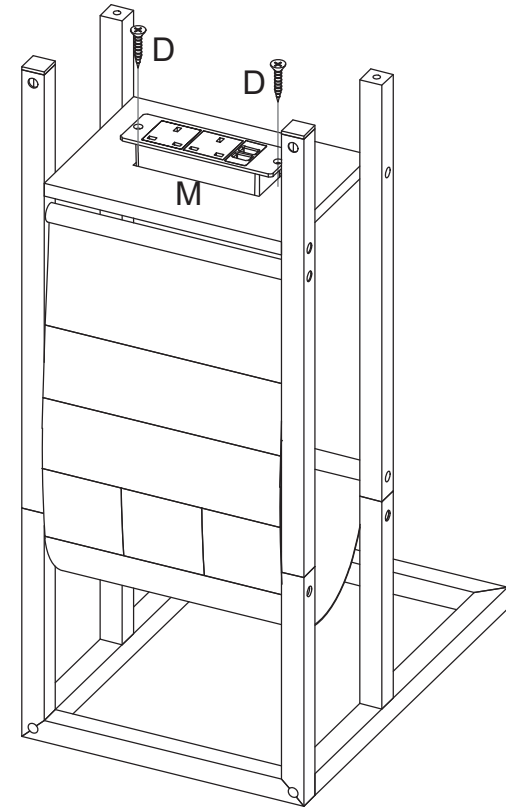
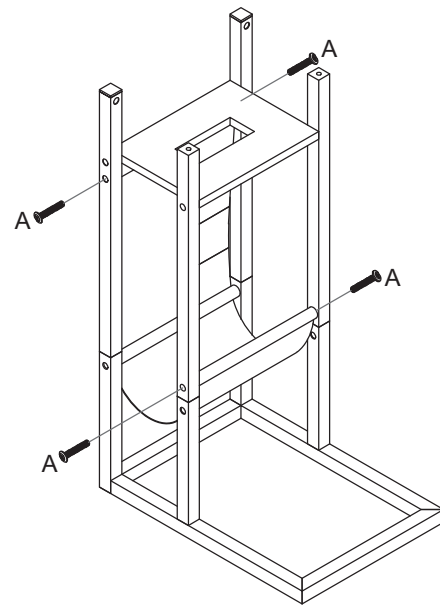
5




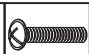

7

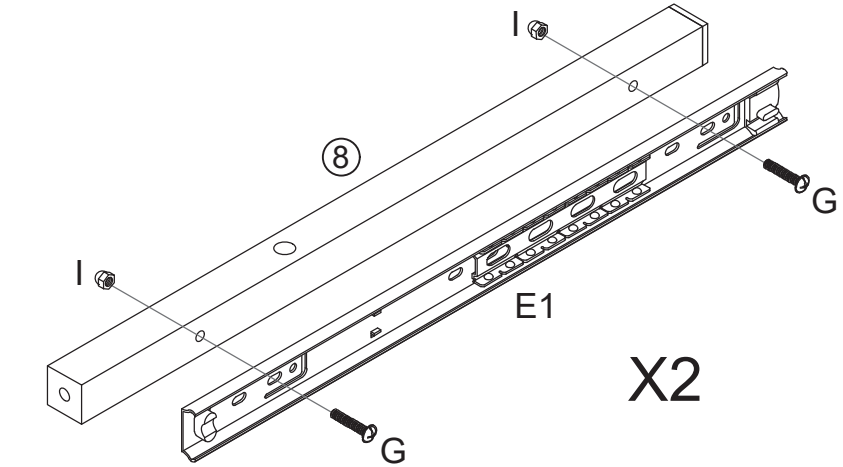
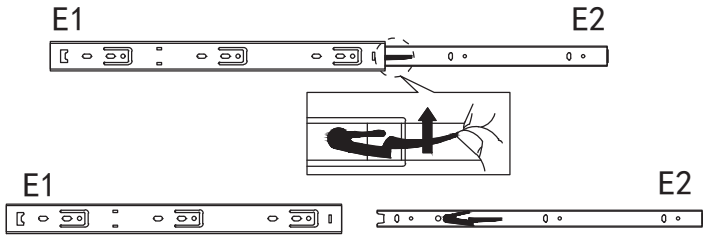


6

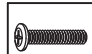


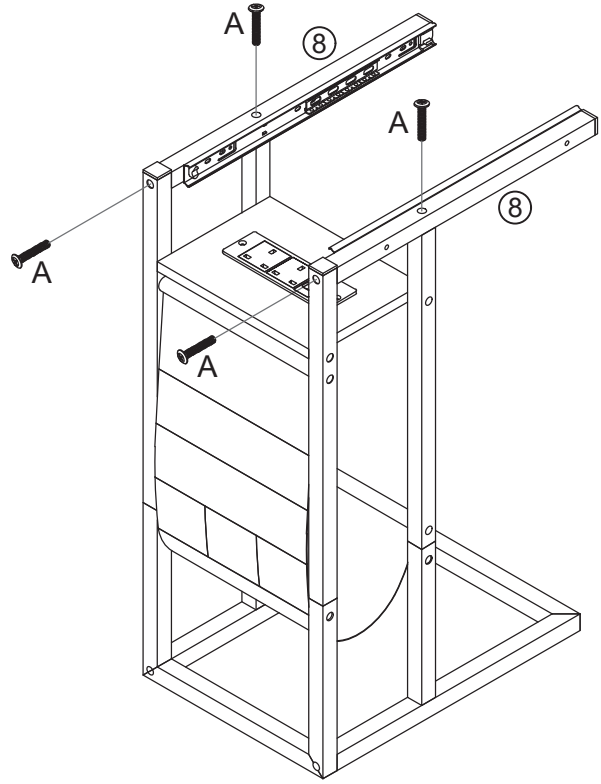
8

	E1X2		GX4
			IX4



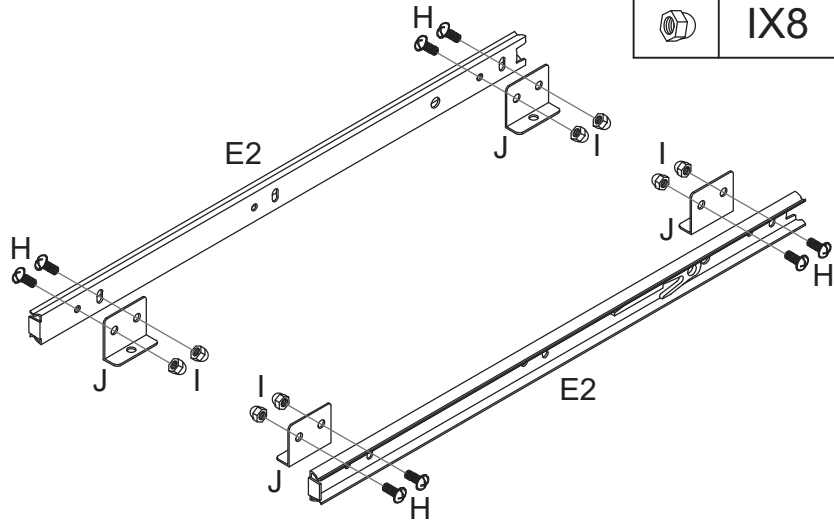
9

	AX4
---	-----

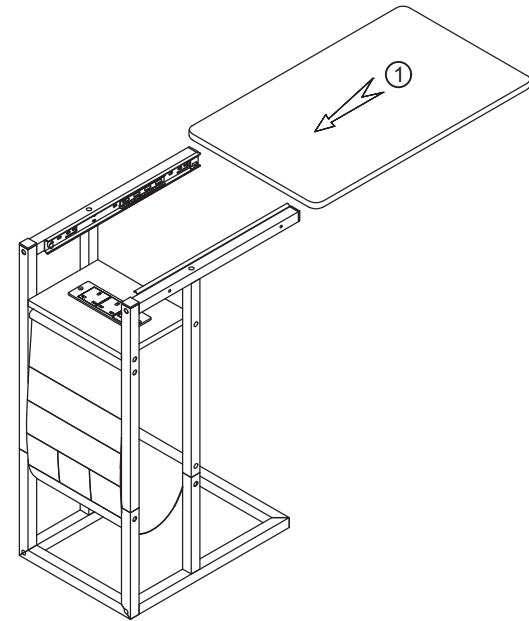


10

	E2X2		JX4		HX8
					IX8

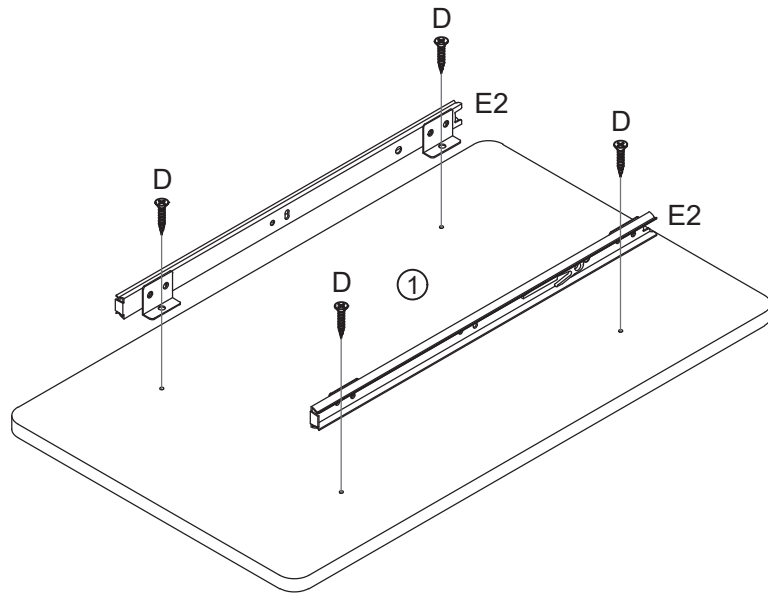


12



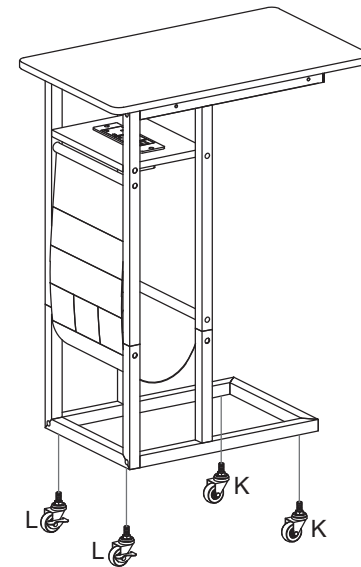
11

	DX4
--	-----

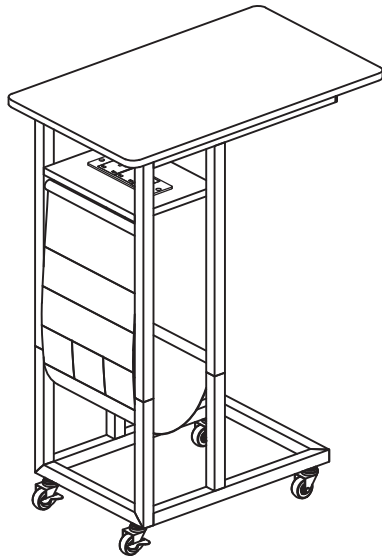


13

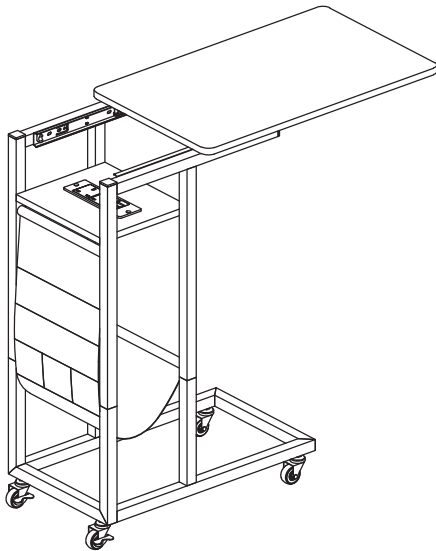
	KX2		LX2
--	-----	--	-----



14



15



When the tabletop is extended, the edge of the side table cannot support heavy objects.



## Return / Damage Claim Instructions

- ⚠ **DO NOT discard the box / original packaging.**  
In case a return is required, the item must be returned in original box. Without this your return will not be accepted.
- ⚠ **Take a photo of the box markings.**  
A photo of the markings (text) on the side of the box is required in case a part is needed for replacement. This helps our staff identify your product number to ensure you receive the correct parts.
- ⚠ **Take a photo of the damaged part (if applicable).**  
A photo of the damage is always required to file a claim and get your replacement or refund processed quickly. Please make sure you have the box even if it is damaged.
- ⚠ **Send us an email with the images requested.**  
Email us directly from marketplace where your item was purchased with the attached images and a description of your claim.