

Bar Table

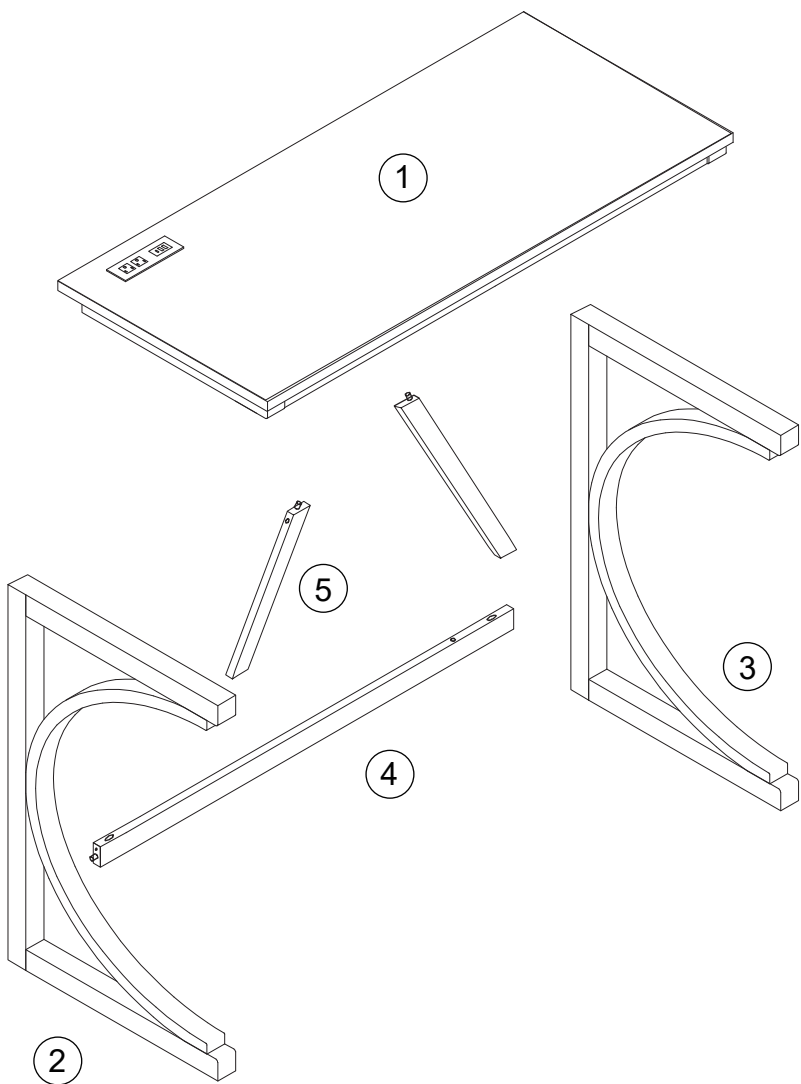
JV11850GB-12

THIS INSTRUCTION BOOKLET CONTAINS **IMPORTANT** SAFETY INFORMATION.
PLEASE READ AND KEEP FOR FUTURE REFERENCE.



Before You Start

- ⚠ Please read all instructions carefully.
- ⚠ Retain instructions for future reference.
- ⚠ Separate and count all parts and hardware.
- ⚠ Read through each step carefully and follow the proper order.
- ⚠ We recommend that, where possible, all items are assembled near to the area in which they will be placed in use, to avoid moving the product unnecessarily once assembled.
- ⚠ Always place the product on a flat, steady and stable surface.
- ⚠ Keep all small parts and packaging materials for this product away from babies and children as they potentially pose a serious choking hazard.



PARTS LIST

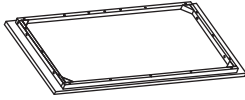


TABLE TOP

① x1

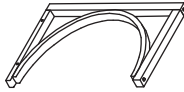


TABLE LEFT LEG

② x1

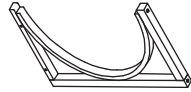


TABLE RIGHT LEG

③ x1

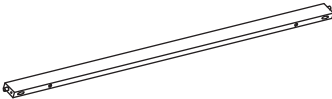


TABLE CENTERLINE RAIL

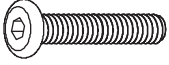
④ x1



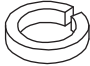
TABLE L&R BACK RAIL

⑤ x2


HARDWARE LIST

	
φ5/16"x38MM	
①	x4


BOLT

	
φ5/16"	
②	x4


SPRING WASHER

	
φ5/16"x22MM	
③	x4

FLAT WASHER

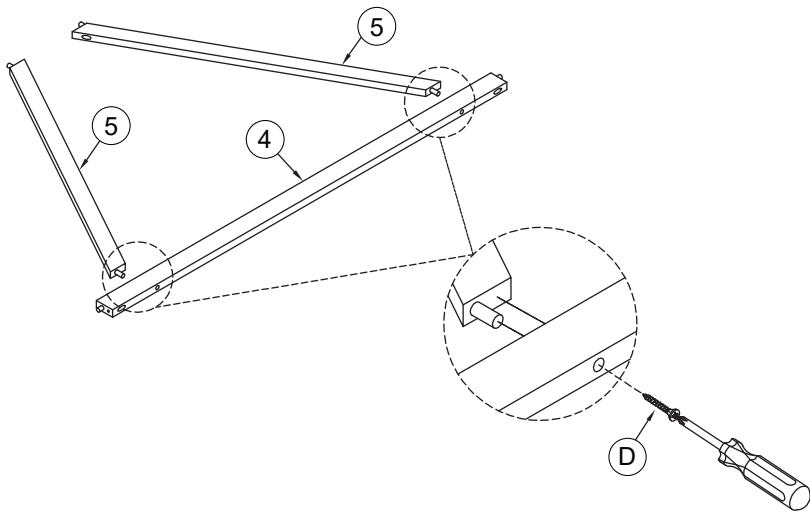
	
#8x45MM	
④	x6

SCREW

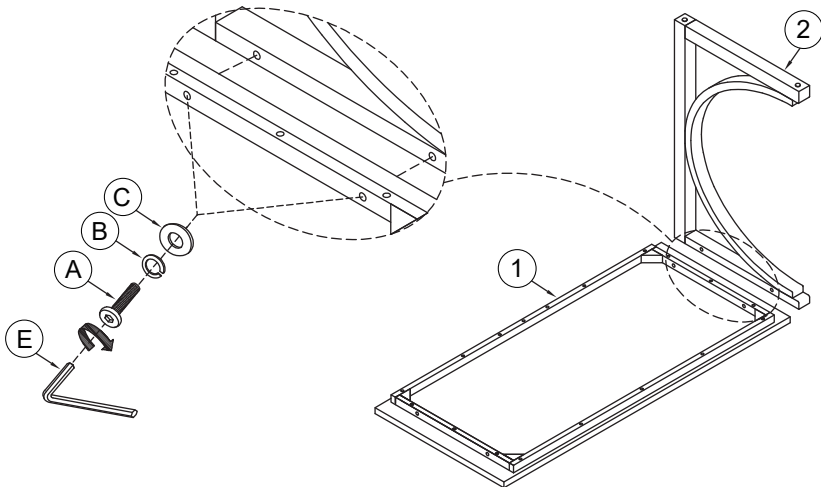
	
5MM	
⑤	x1

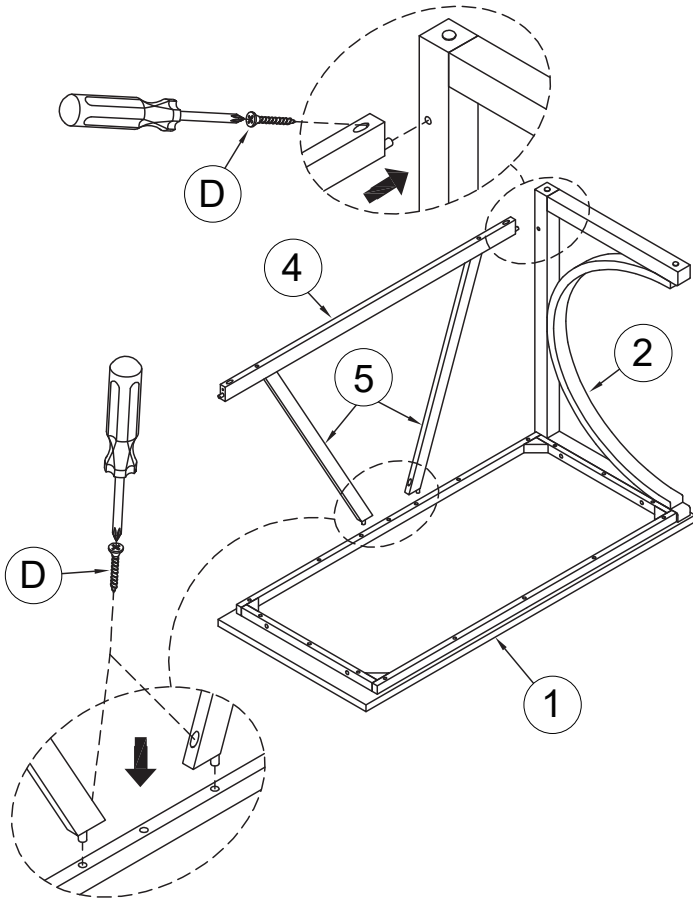
ALLEN KEY

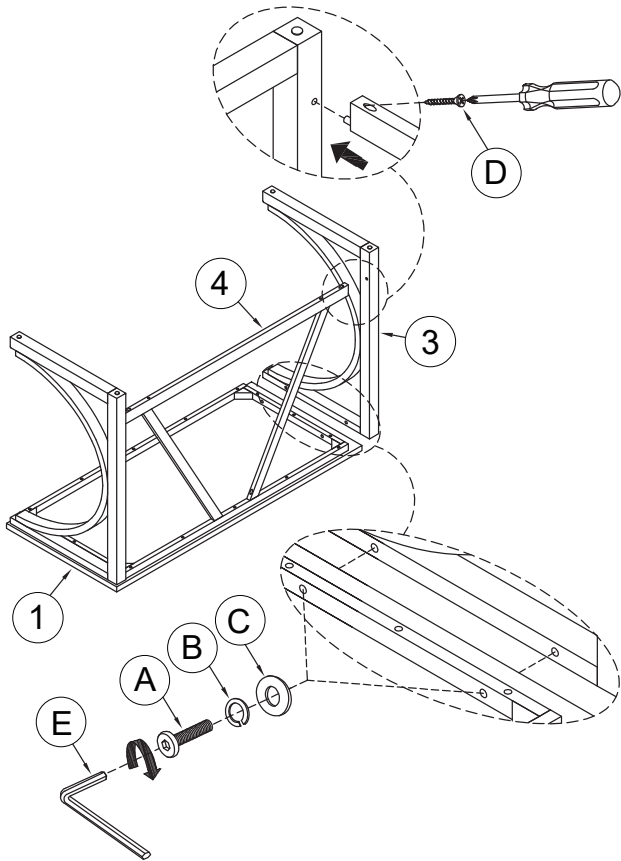
1



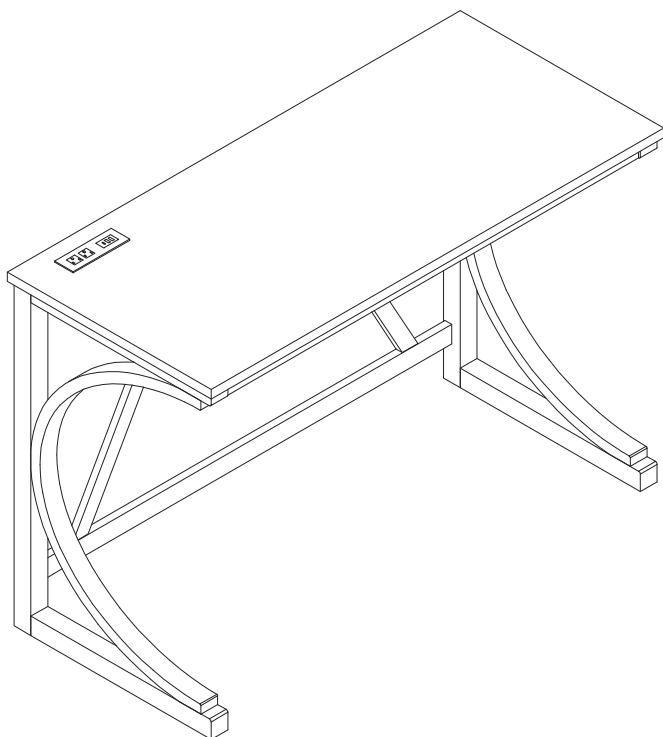
2







COMPLETE



Caution: Please do not tighten all bolts until the table is completely assembled!



Return / Damage Claim Instructions

- ⚠ DO NOT discard the box / original packaging.**
In case a return is required, the item must be returned in original box. Without this your return will not be accepted.
- ⚠ Take a photo of the box markings.**
A photo of the markings (text) on the side of the box is required in case a part is needed for replacement. This helps our staff identify your product number to ensure you receive the correct parts.
- ⚠ Take a photo of the damaged part (if applicable).**
A photo of the damage is always required to file a claim and get your replacement or refund processed quickly. Please make sure you have the box even if it is damaged.
- ⚠ Send us an email with the images requested.**
Email us directly from marketplace where your item was purchased with the attached images and a description of your claim.

USA office: Fontana

AUS office: Truganina

GBR office: FDS Corporation Limited, Unit 4, Blackacre Road, Great Blakenham, Ipswich, Ip6 0FL, United Kingdom

If you're having difficulty, our friendly customer team is always here to help.



USA: cs.us@costway.com

AUS: cs.au@costway.com

GBR: cs.uk@costway.com