

Bed Frame with Shelf & Drawers

HU10771-D

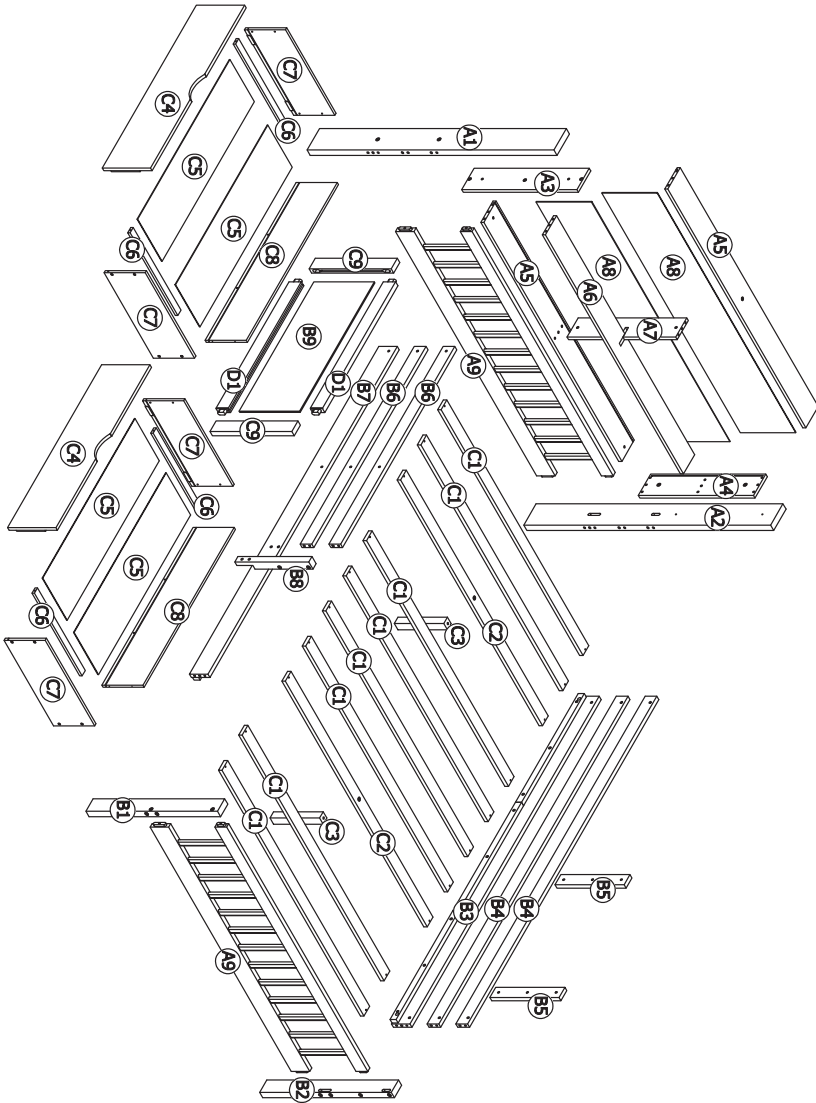
THIS INSTRUCTION BOOKLET CONTAINS **IMPORTANT** SAFETY INFORMATION.
PLEASE READ AND KEEP FOR FUTURE REFERENCE.



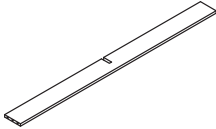
Before You Start

- ⚠ Please read all instructions carefully.
- ⚠ Retain instructions for future reference.
- ⚠ Separate and count all parts and hardware.
- ⚠ Read through each step carefully and follow the proper order.
- ⚠ We recommend that, where possible, all items are assembled near to the area in which they will be placed in use, to avoid moving the product unnecessarily once assembled.
- ⚠ Always place the product on a flat, steady and stable surface.
- ⚠ Keep all small parts and packaging materials for this product away from babies and children as they potentially pose a serious choking hazard.

Detail



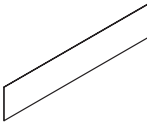
Part List (Box 1-HU10771D-12)



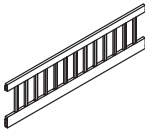
Panel
Ⓐ6 x1



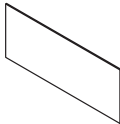
Panel
Ⓐ7 x1



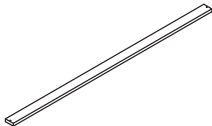
Panel
Ⓐ8 x2



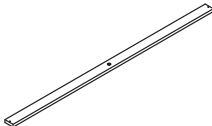
Panel
Ⓐ9 x2



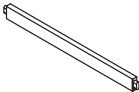
Black board
Ⓑ9 x1



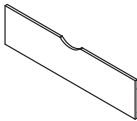
Slats
Ⓒ1 x8



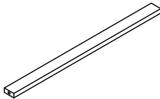
Slats
Ⓒ2 x2



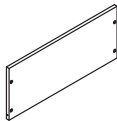
Wood bar
Ⓓ1 x2



Front Drawers
Ⓒ4 x2



Wood bar
Ⓒ6 x4



Side Drawers
Ⓒ7 x4

Part List (Box 2-HU10771D-22)



Wood bar
 (A1)x1



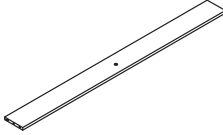
Wood bar
 (A2)x1



Panel
 (A3)x1



Panel
 (A4)x1



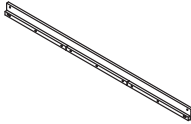
Panel
 (A5)x2



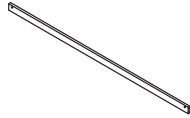
Wood bar
 (B1)x1



Wood bar
 (B2)x1



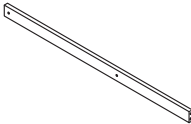
Side rail
 (B3)x1



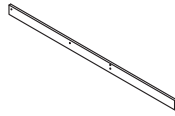
Wood bar
 (B4)x2



Wood bar
 (B5)x2



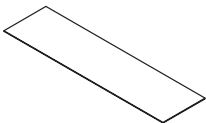
Wood bar
 (B6)x2



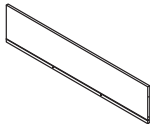
Side rail
 (B7)x1



Wood bar
 (B8)x1



Bottom Drawers
 (C5)x4



Back Drawers
 (C8)x2

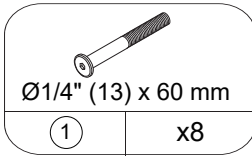


Wood bar
 (C9)x2

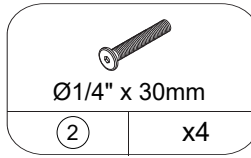


Wood bar
 (C3)x2

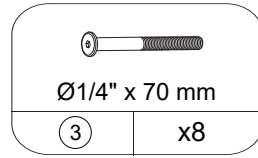
Hardware List (Box 2 - HU10771D-22)



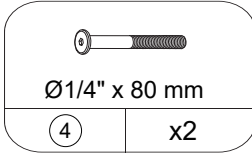
Hex-Head bolts



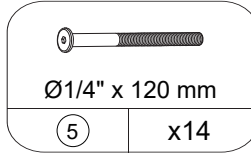
Hex-Head bolts



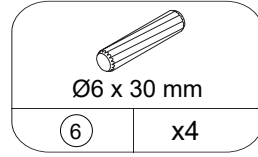
Hex-Head bolts



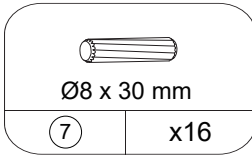
Hex-Head bolts



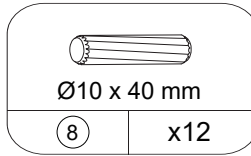
Hex-Head bolts



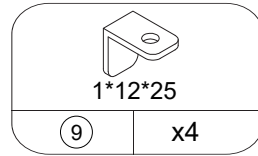
Wood dowel



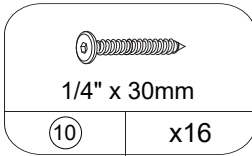
Wood dowel



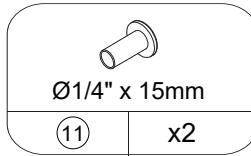
Wood dowel



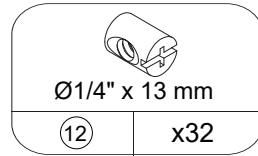
L-Bracket



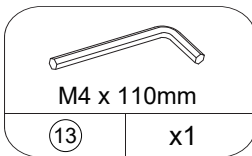
Screws



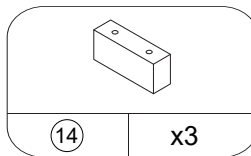
Hex-Head bolts



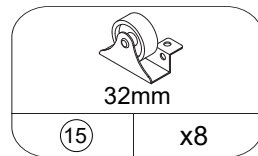
Horizontal-Hole bolts



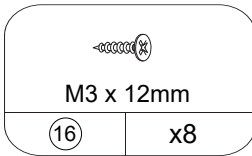
Allen Key



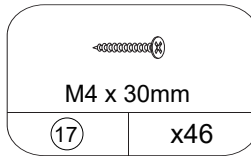
Stopper



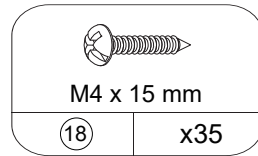
Wheels



Screws

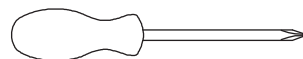


Screws


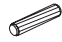



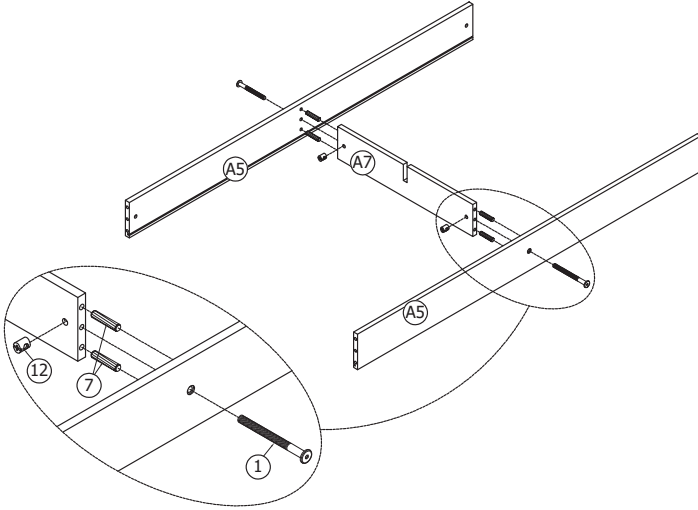
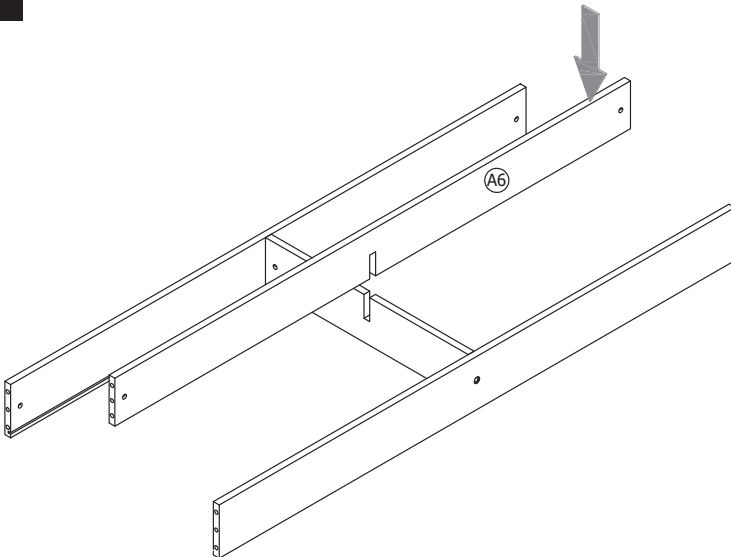
Screws

Assembly Tools Required
(Not Included)

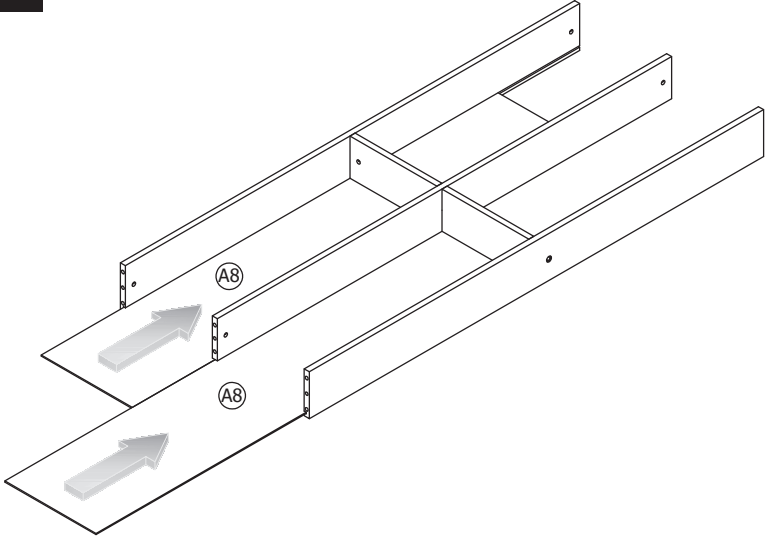


1




1	7	12
		
x2	x4	x2

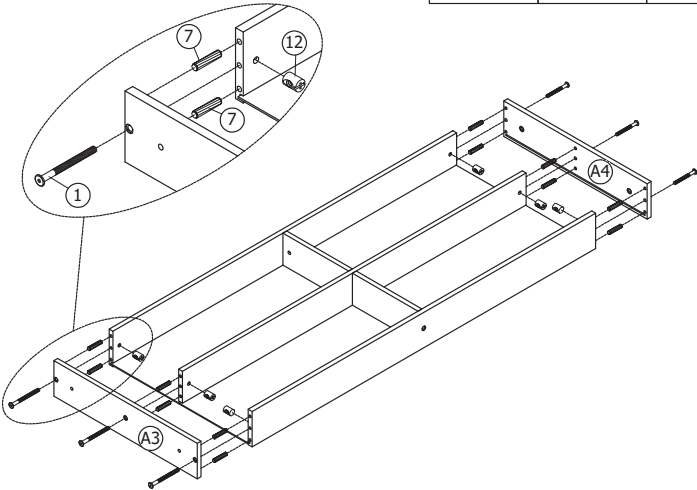
**2**

3

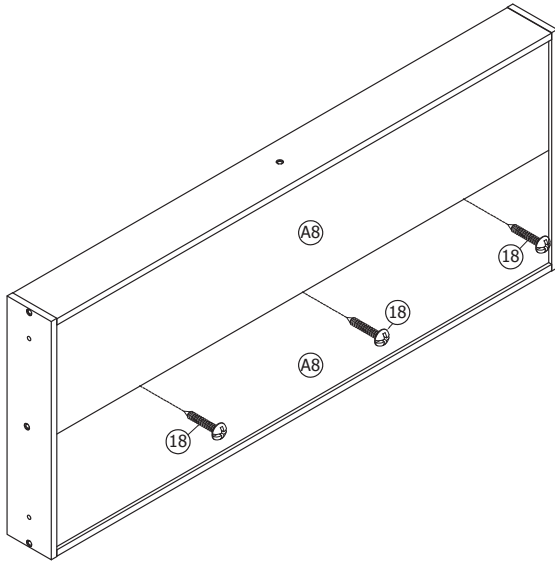



4

1	7	12
		
x6	x12	x6

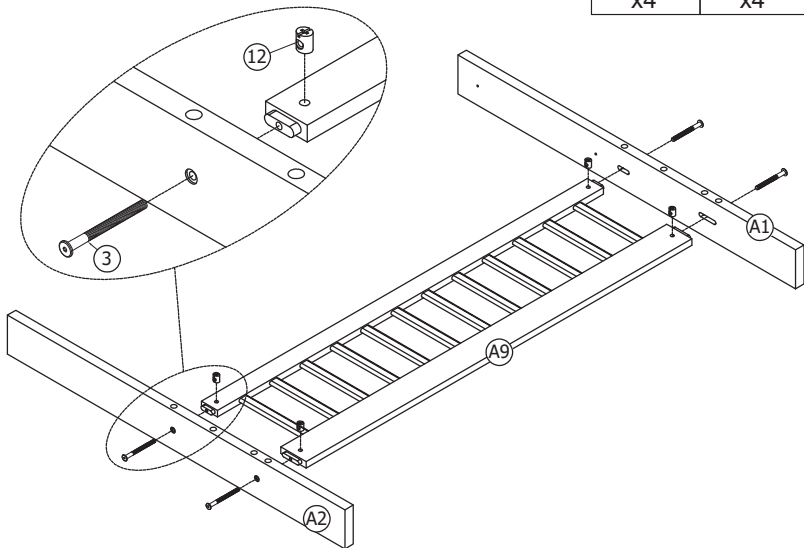




5




18

x3

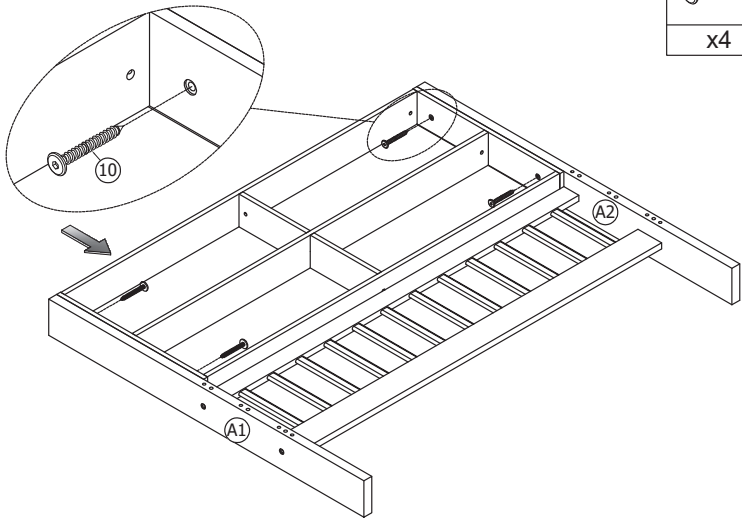
6





12	3
	
x4	x4

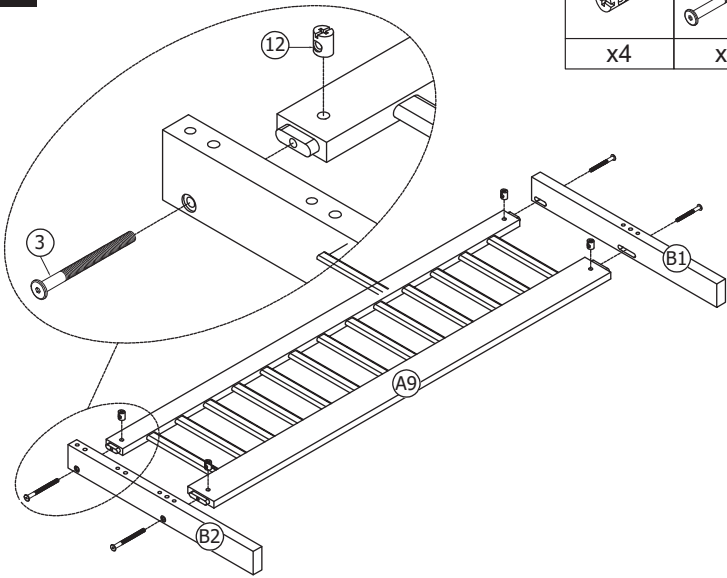
7

10

x4






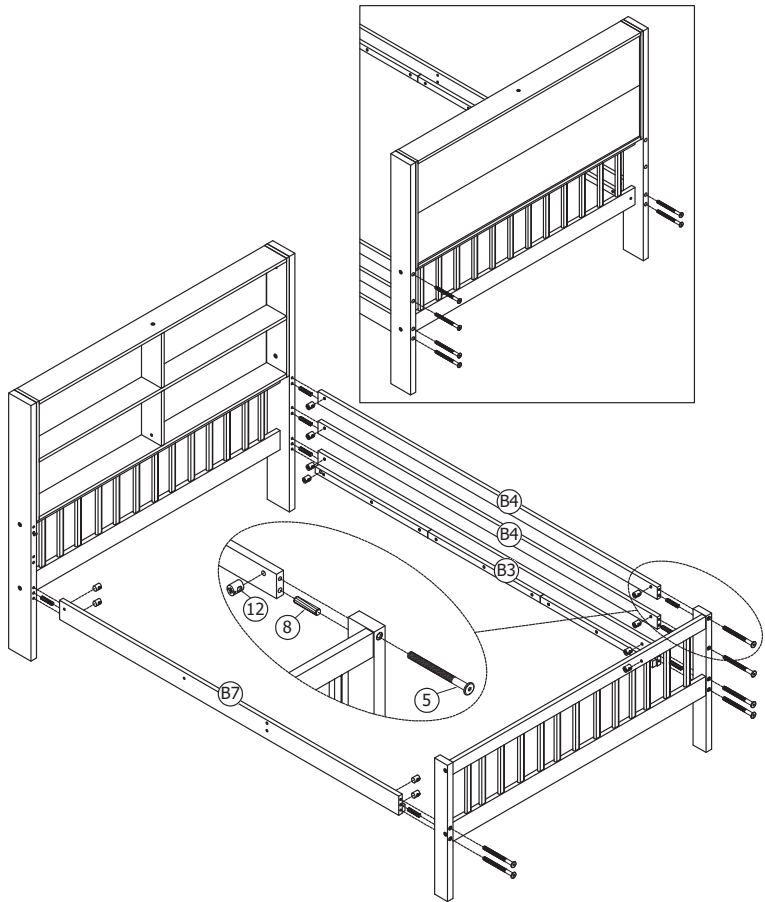
8

12	3
	
x4	x4



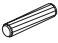



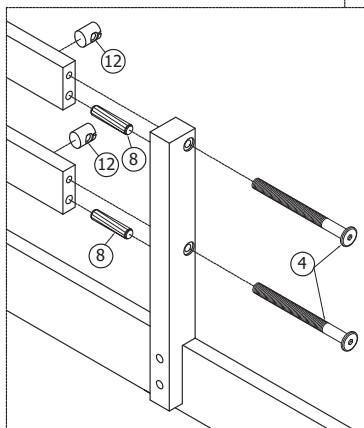
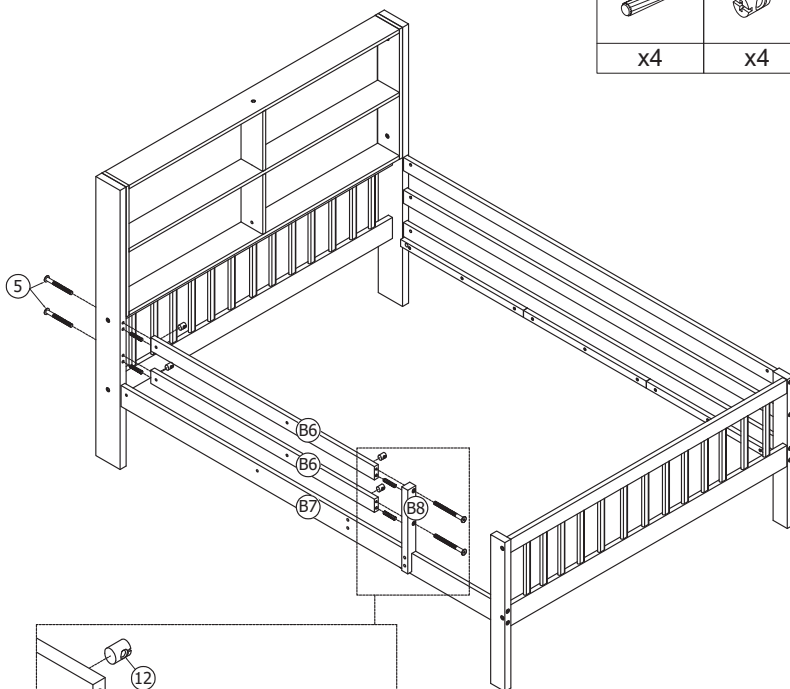
9

5	8	12
		
x12	x8	x12





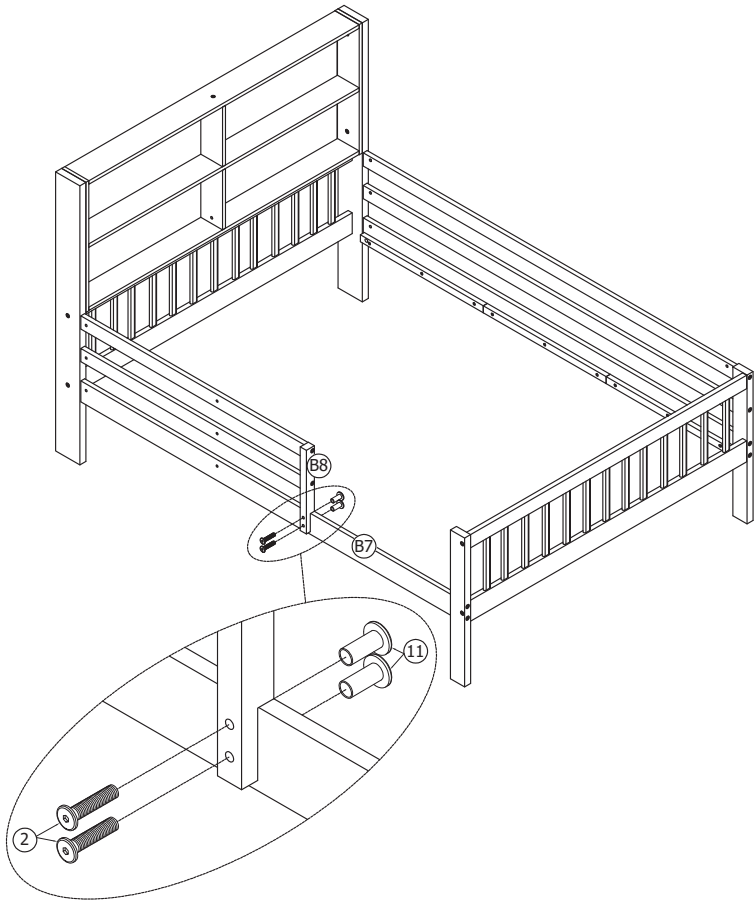
10

5		4	
	x2		x2
8		12	
	x4		x4



11

2	11
	
x2	x2

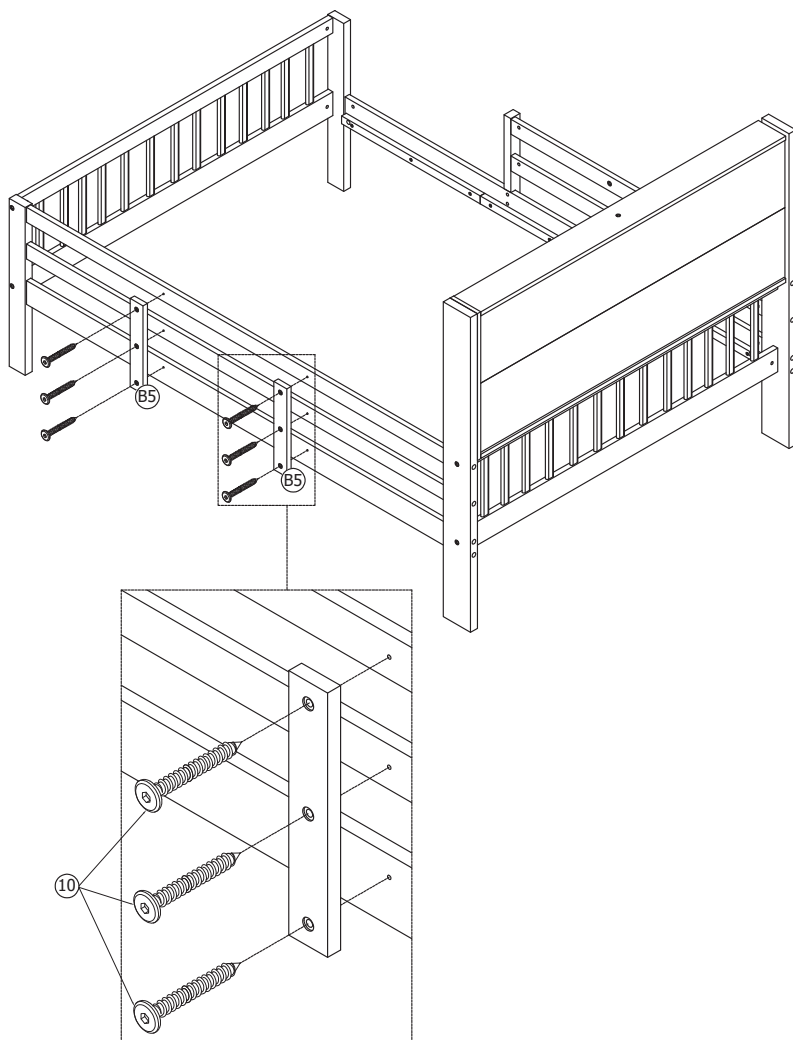


12

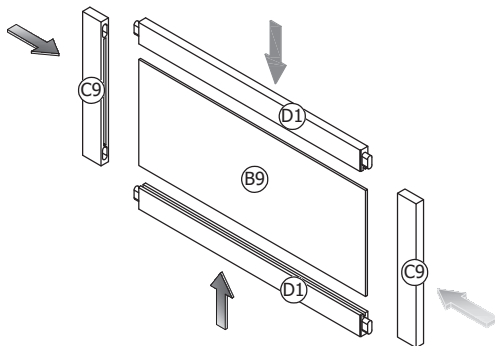
10



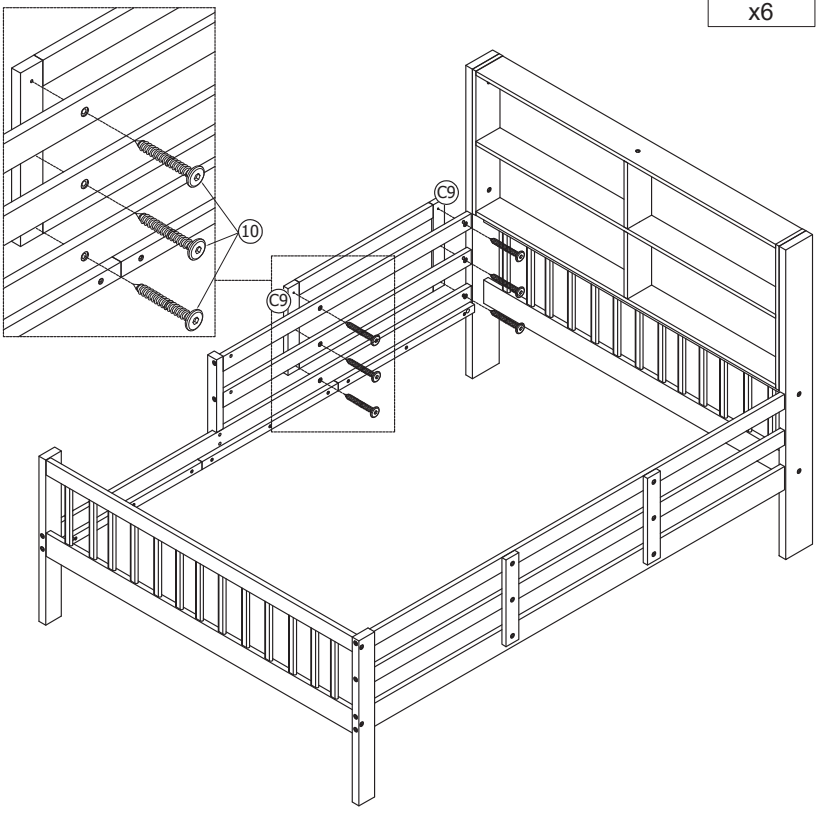
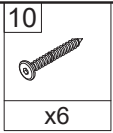
x6



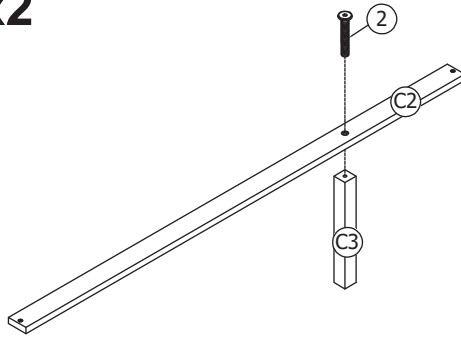
13




14

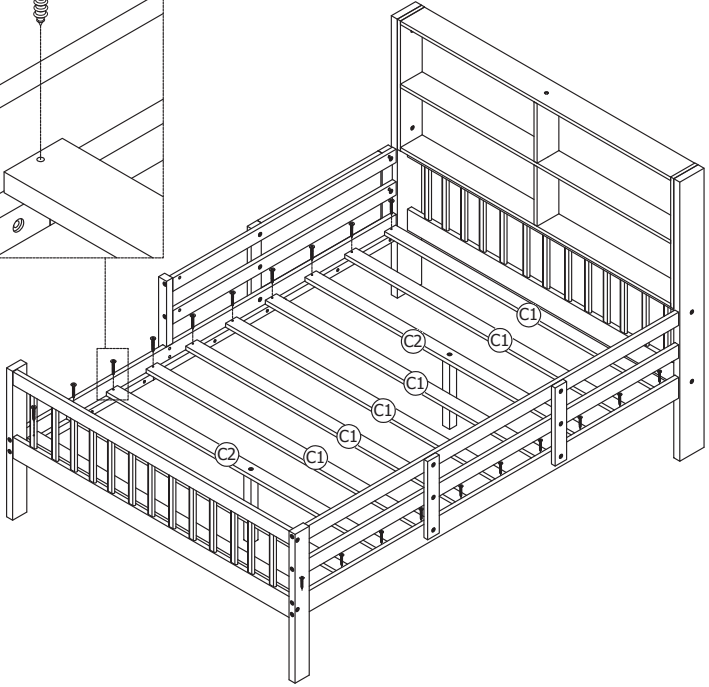
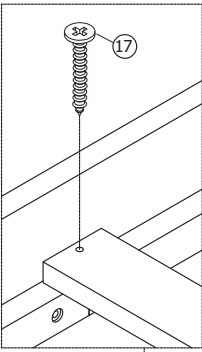



15 x2





2

x2

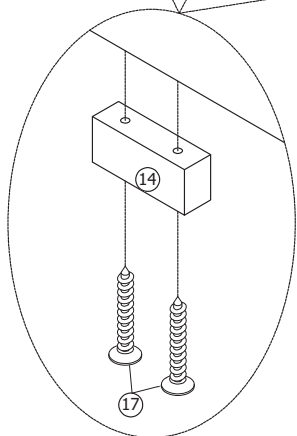
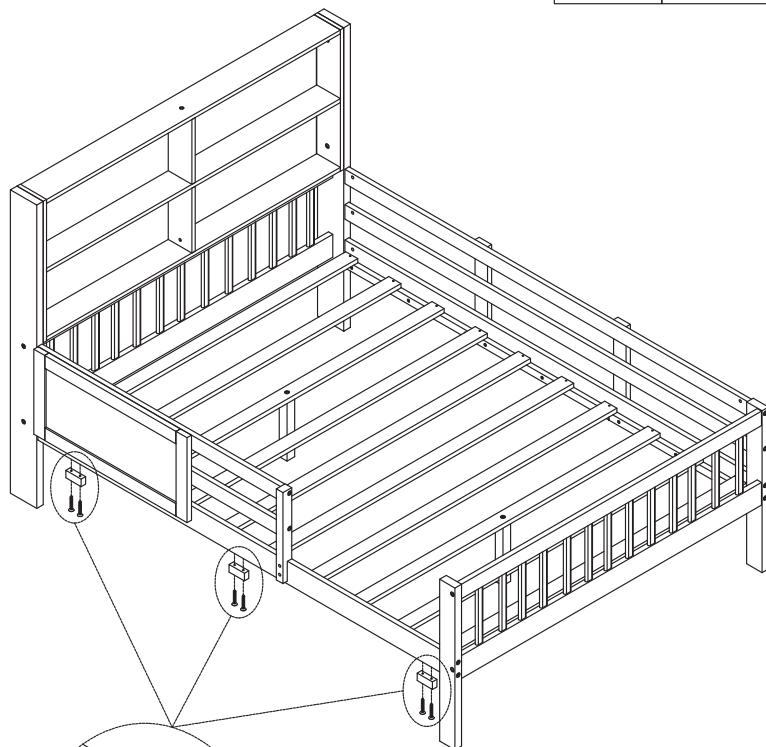
16



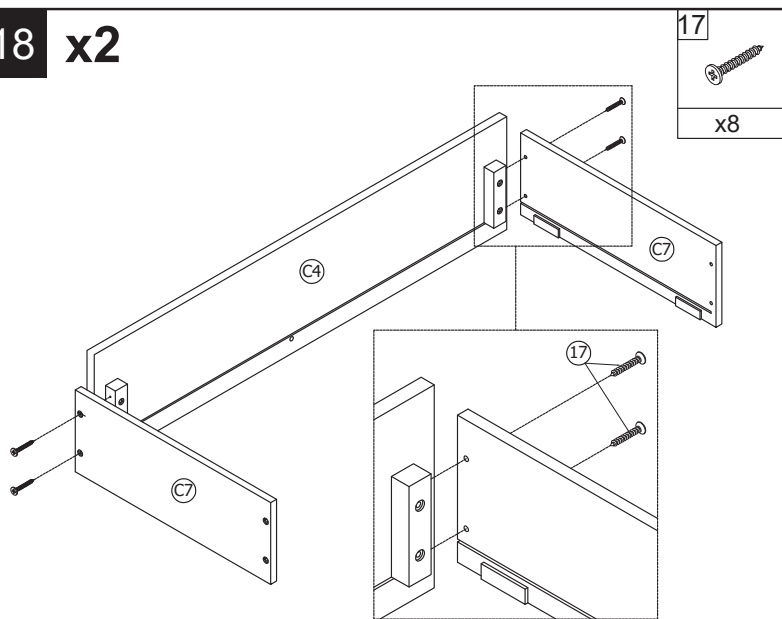
17

x20

17

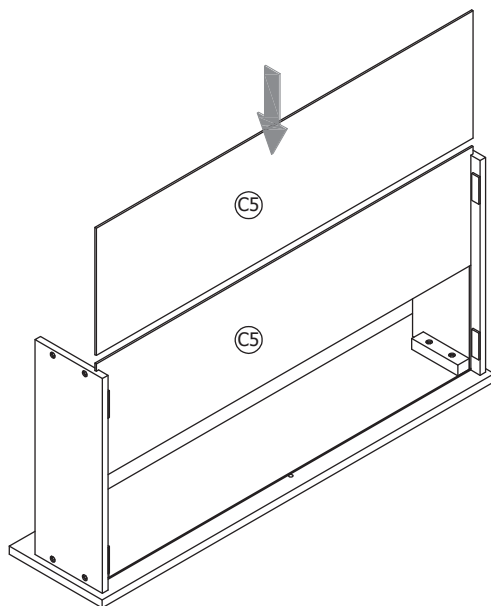
14	17
	
x3	x6



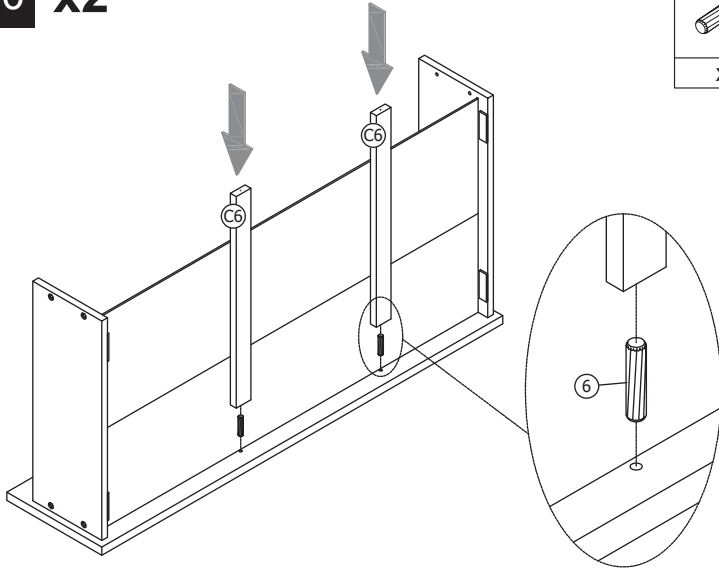
18 x2




19 x2

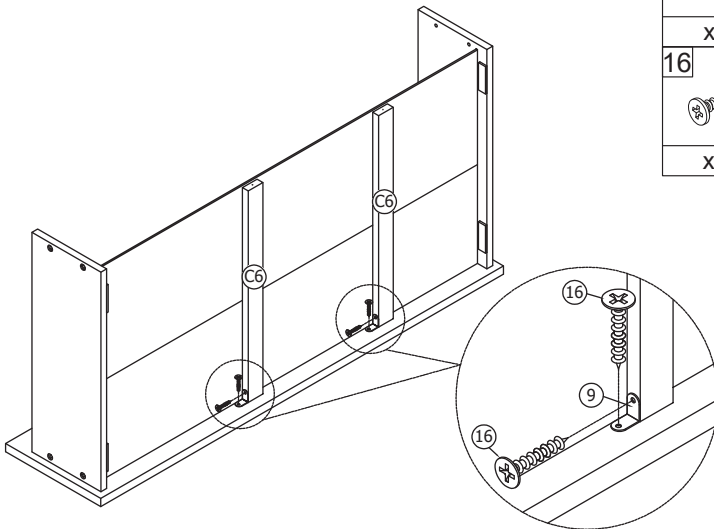


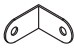
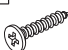
20 x2



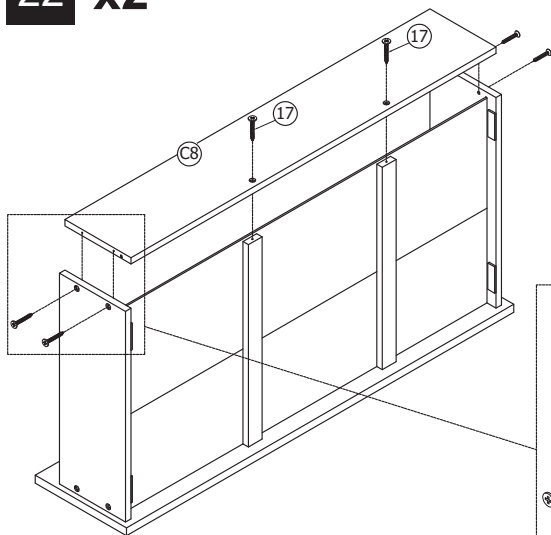
6

x4

21 x2



9

x4
16

x8

22 x2

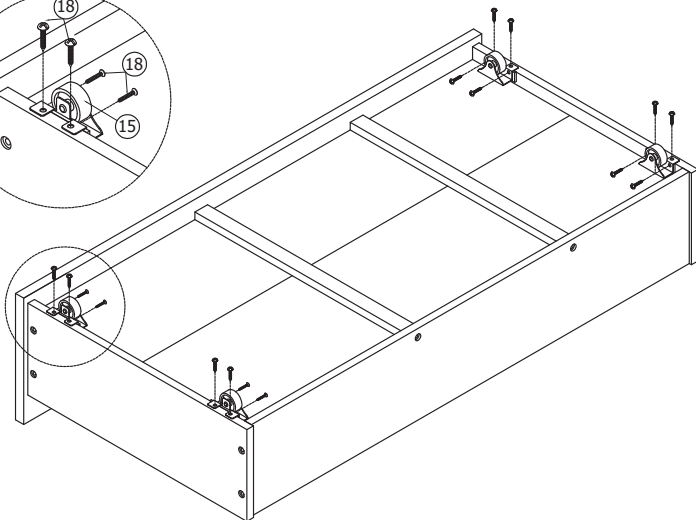
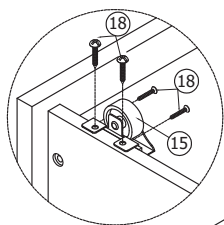


17



x12

23 x2



15

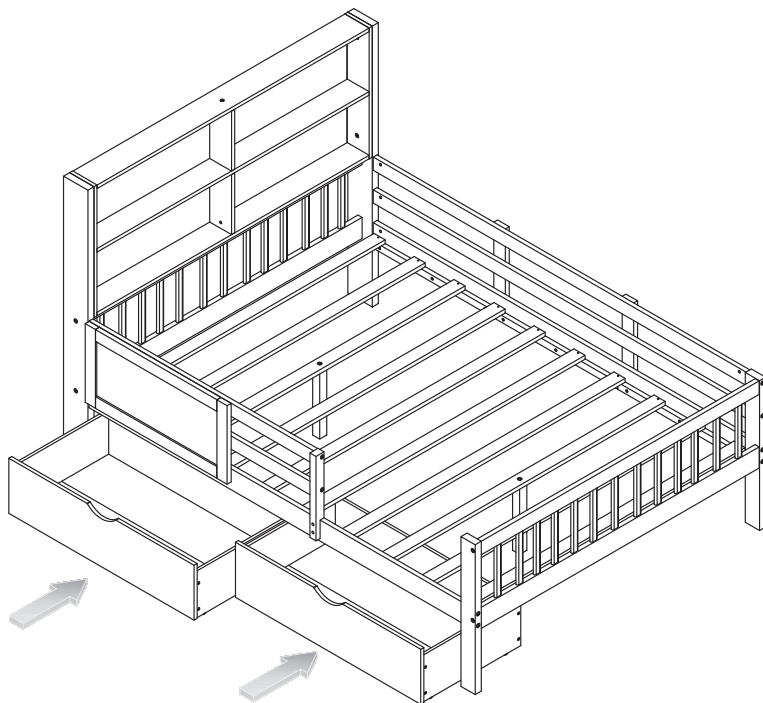


x8

18



x32





Return / Damage Claim Instructions

- ⚠ **DO NOT discard the box / original packaging.**
In case a return is required, the item must be returned in original box. Without this your return will not be accepted.
- ⚠ **Take a photo of the box markings.**
A photo of the markings (text) on the side of the box is required in case a part is needed for replacement. This helps our staff identify your product number to ensure you receive the correct parts.
- ⚠ **Take a photo of the damaged part (if applicable).**
A photo of the damage is always required to file a claim and get your replacement or refund processed quickly. Please make sure you have the box even if it is damaged.
- ⚠ **Send us an email with the images requested.**
Email us directly from marketplace where your item was purchased with the attached images and a description of your claim.

USA office: Fontana **AUS** office: Truganina

GBR office: FDS Corporation Limited, Unit 4, Blackacre Road, Great Blakenham, Ipswich, Ip6 0FL, United Kingdom

If you're having difficulty, our friendly customer team is always here to help.



USA: cs.us@costway.com
AUS: cs.au@costway.com
GBR: cs.uk@costway.com