

METAL BUNK BED

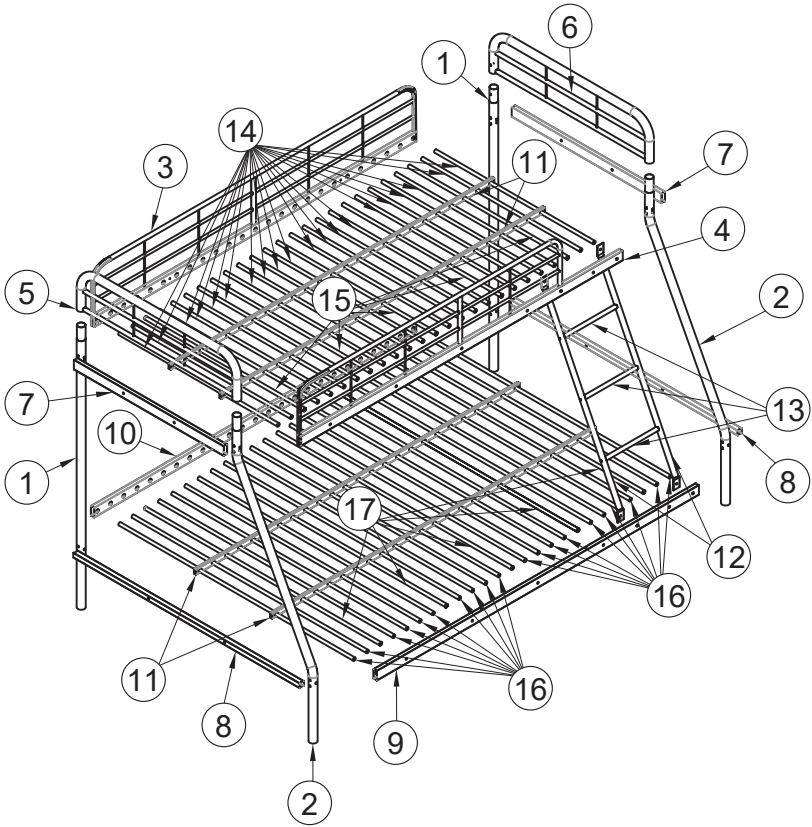
HU10874

THIS INSTRUCTION BOOKLET CONTAINS **IMPORTANT** SAFETY INFORMATION.
PLEASE READ AND KEEP FOR FUTURE REFERENCE.



Before You Start

- ⚠ Please read all instructions carefully.
- ⚠ Retain instructions for future reference.
- ⚠ Separate and count all parts and hardware.
- ⚠ Read through each step carefully and follow the proper order.
- ⚠ We recommend that, where possible, all items are assembled near to the area in which they will be placed in use, to avoid moving the product unnecessarily once assembled.
- ⚠ Always place the product on a flat, steady and stable surface.
- ⚠ Keep all small parts and packaging materials for this product away from babies and children as they potentially pose a serious choking hazard.
- ⚠ Periodically check and ensure that the guardrail, ladder, and other components are in their proper position, free from damage, and that all connectors are tight.
- ⚠ Do not use substitute parts, Contact the manufacturer or dealer for replacement parts.
- ⚠ Use of a night light may provide added safety precaution for a child using the upper bunk.
- ⚠ The use of water or sleep flotation mattresses is prohibited.
- ⚠ Always use guardrails on both long sides of the upper bunk. If the bunk bed will be placed next to the wall, the guardrail that runs the full length of the bed should be placed against the wall to prevent entrapment between the bed and wall.



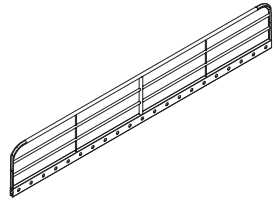
① x2



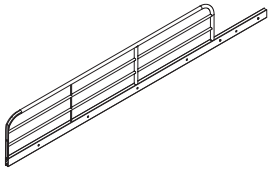
② x2



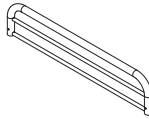
③ x1



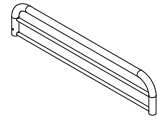
④ x1



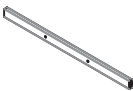
⑤ x1



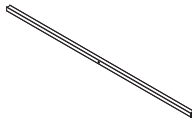
⑥ x1



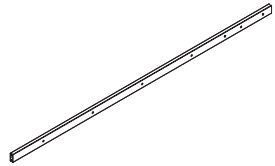
⑦ x2



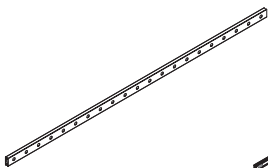
⑧ x2



⑨ x1



⑩ x1



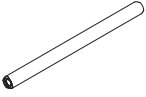
⑪ x4



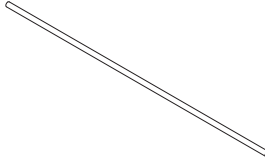
⑫ x2



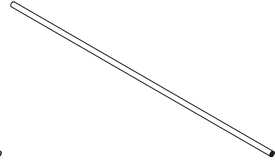
13 x3



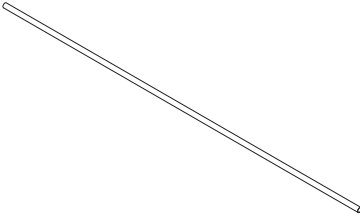
14 x20



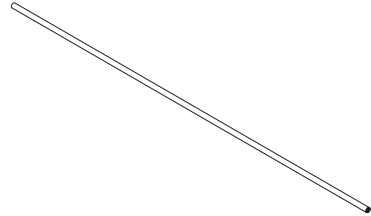
15 x5



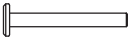
16 x20



17 x5



A x28



$\frac{1}{4}$ " x 55mm

B x14



$\frac{1}{4}$ " x 40mm

C x28



$\frac{1}{4}$ " x 15mm

D x1



#4

E x2



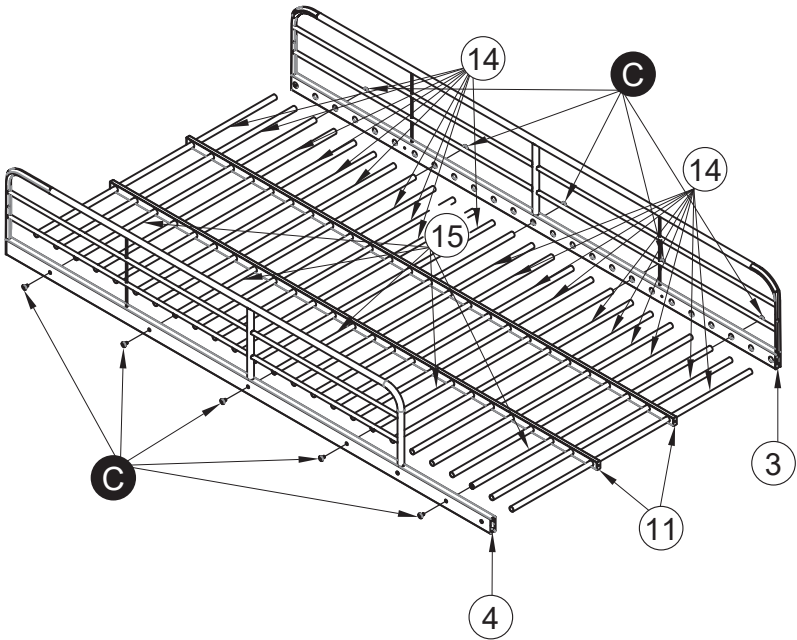
L = 35mm



F x2



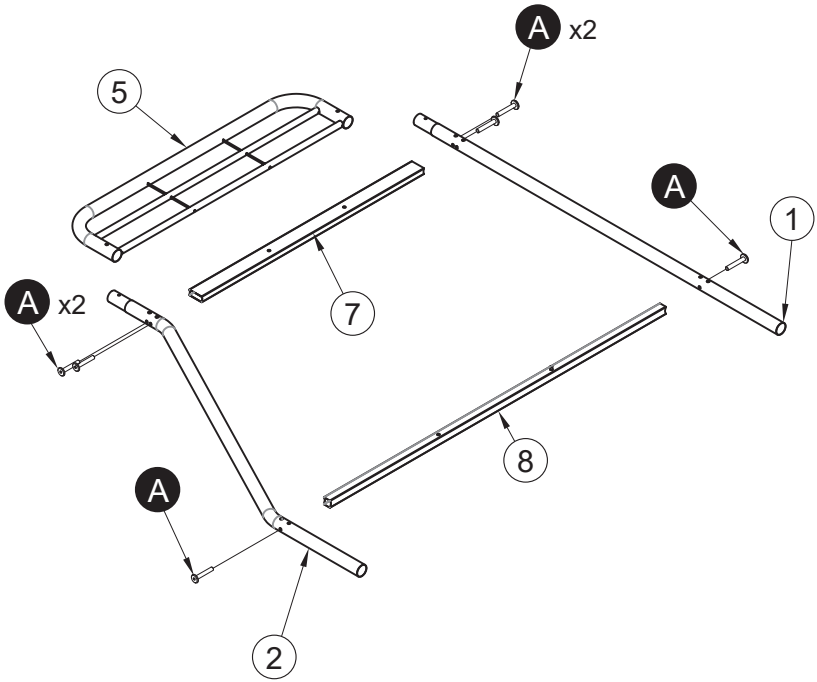
L = 40mm

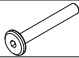

1

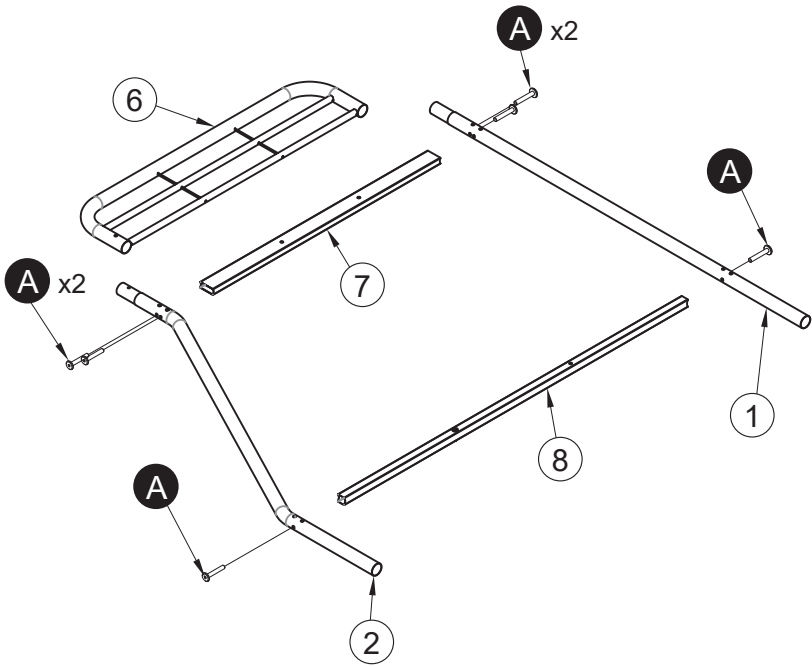


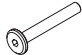
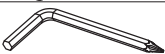
C x 10	 $\frac{1}{4}$ " x 15mm
D	 #4

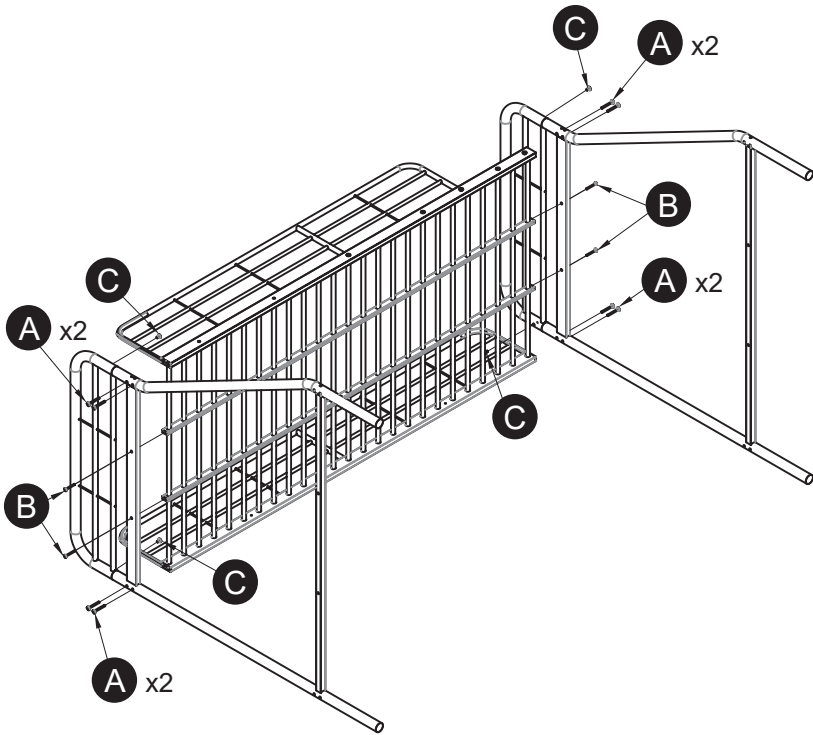
2

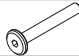
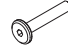




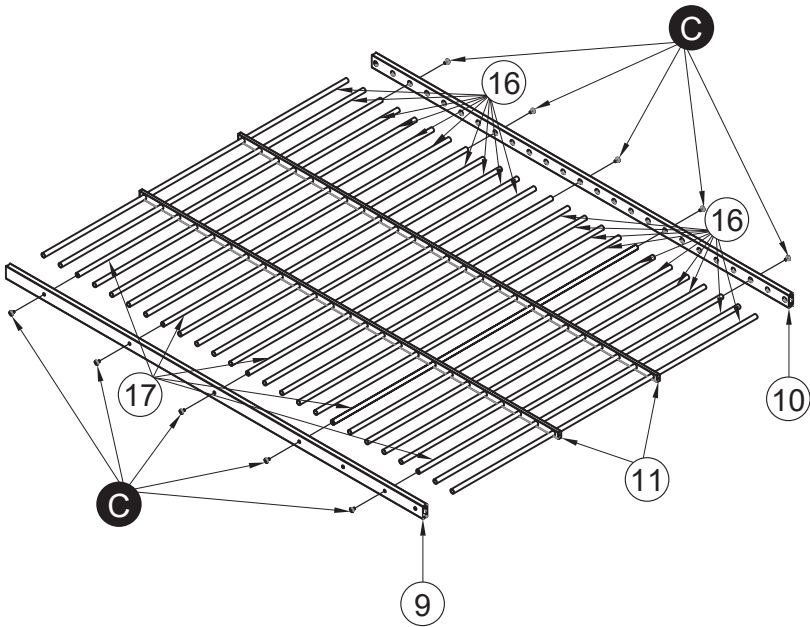
A x 6	 $\frac{1}{4}$ " x 55mm
D	 #4

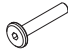



<p>A x 6</p>	 <p>$\frac{1}{4}$" x 55mm</p>
<p>D</p>	 <p>#4</p>

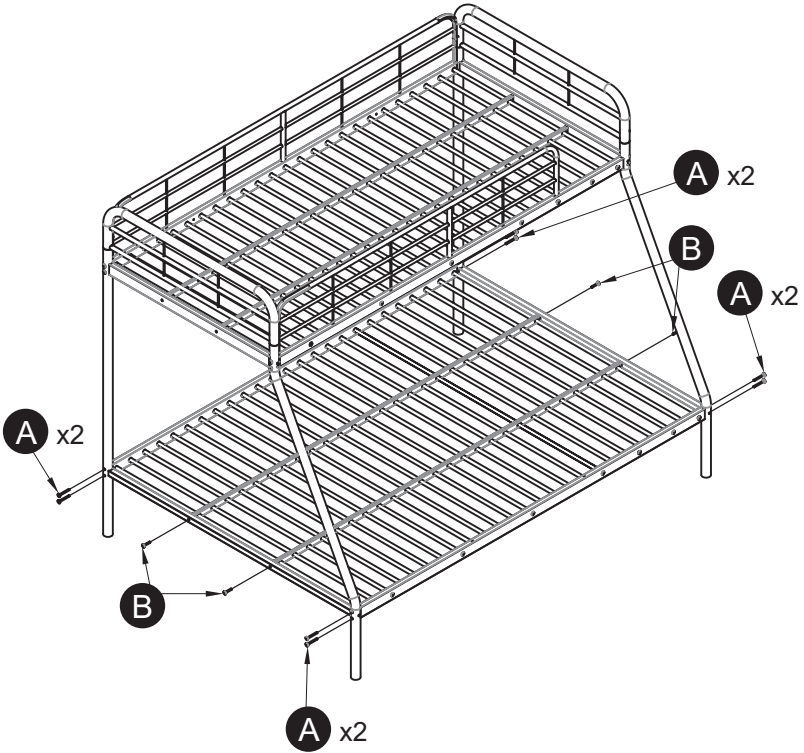


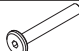
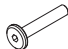

A x 8		$\frac{1}{4}$ " x 55mm
B x 4		$\frac{1}{4}$ " x 40mm
C x 4		$\frac{1}{4}$ " x 15mm
D		#4

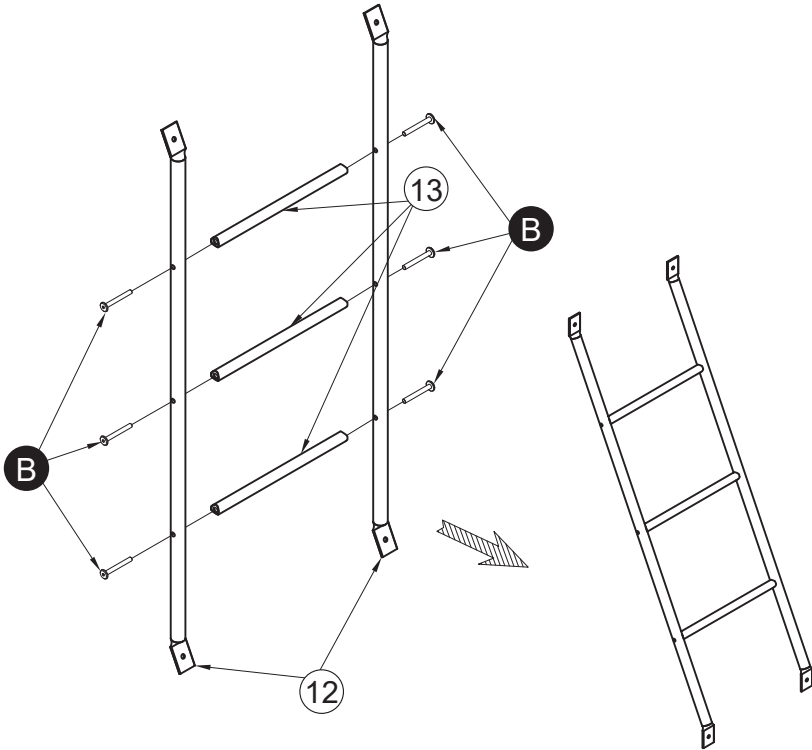


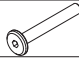

C x 10	 $\frac{1}{4}$ " x 15mm
D	 #4

6

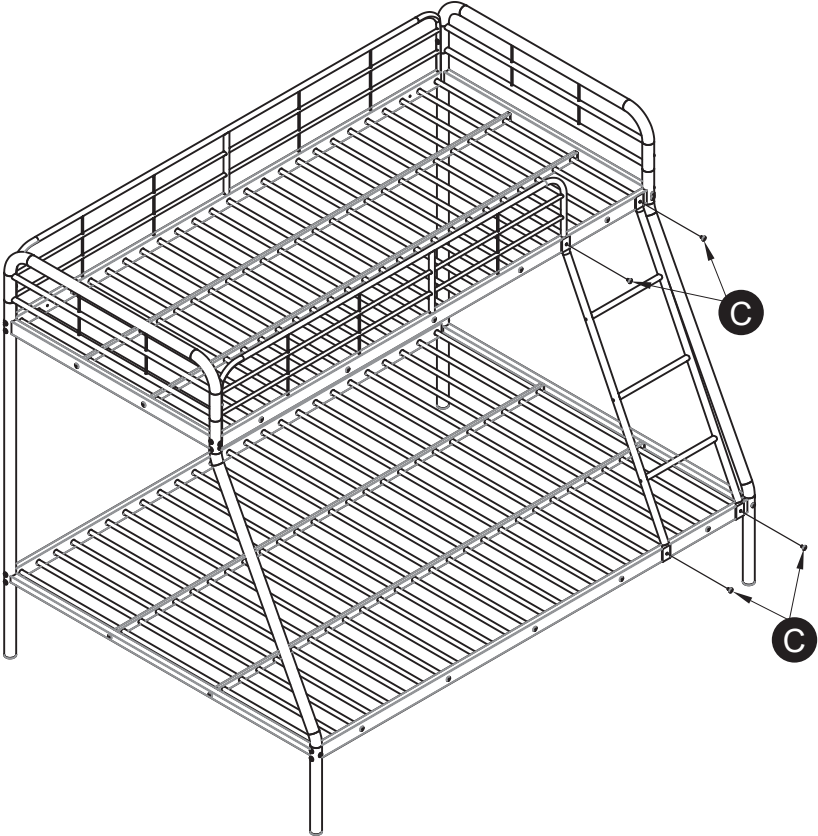




A x 8		1/4" x 55mm
B x 4		1/4" x 40mm
D		#4

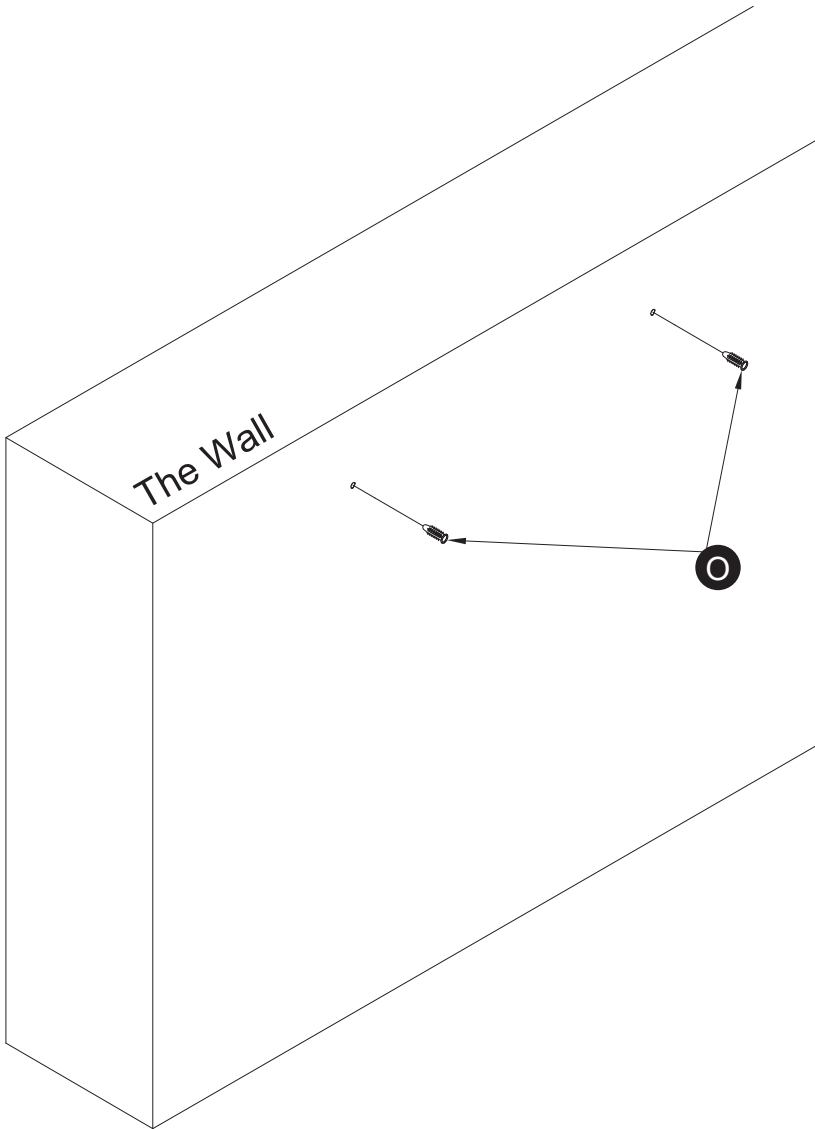


B x 6	 $\frac{1}{4}$ " x 40mm
D	 #4

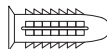
8



C x 4	 $\frac{1}{4}$ " x 15mm
D	 #4

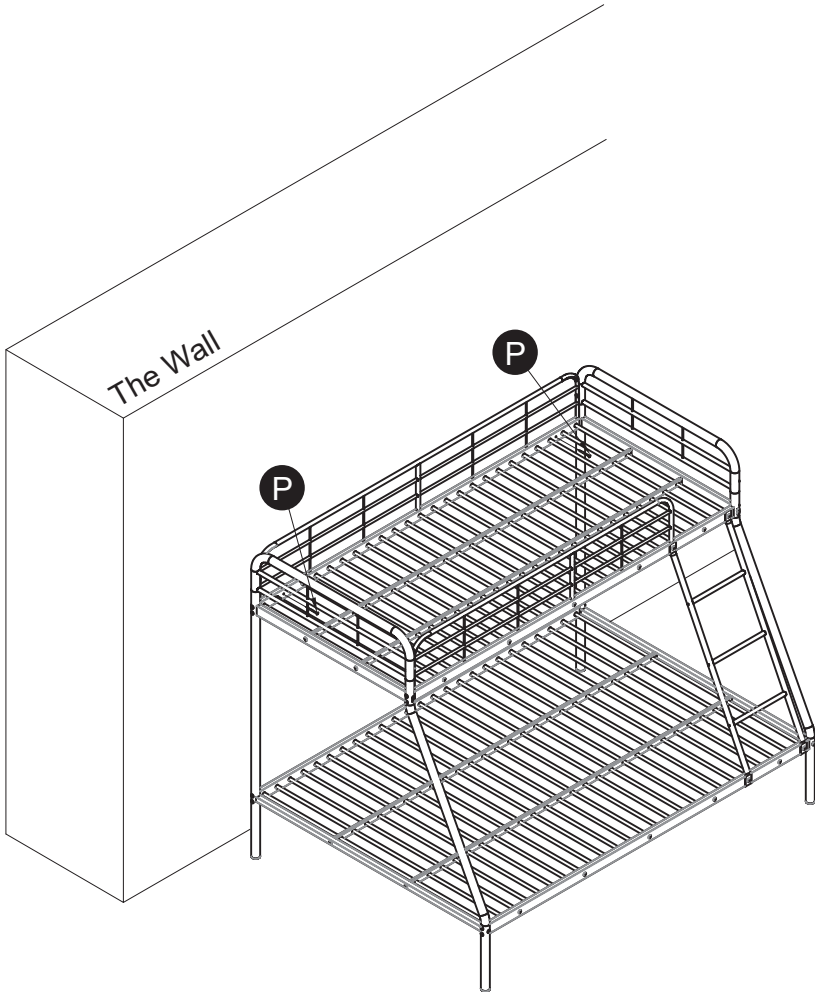




ⓔ x 2



L = 35mm

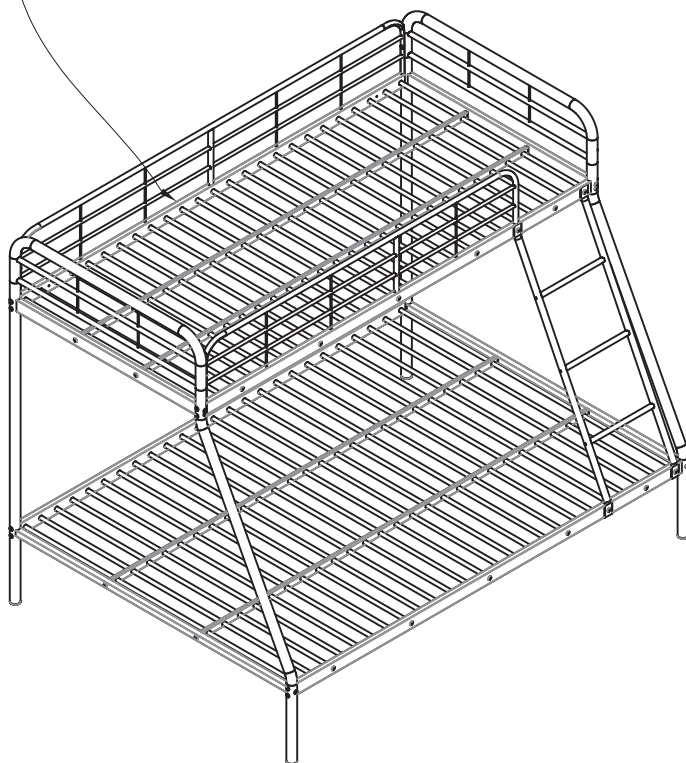
10



ⓕ x 2	 L = 40mm
ⓐ	 #4

Use only mattress which is 188 - 190.5cm long , 133 - 136cm wide and 20.3 - 25.4cm thickness on the bottom bed.

Use only mattress which is 188 - 190.5cm long , 86.4 - 88.9cm wide and 10cm high on upper bunk.



PRODUCT'S NAME: HU10874

Maximum thickness of the mattress 10cm

This high bed is not suitable for children under six years.

Batch NO: 0414445

FDS CORPORATION LIMITED.

Unit 4, Blackacre Road, Great Blakenham Ipswich, IP6 0FL UK

DATE OF DELIVERY: 2024.08

FINISHED SIZES: 197.6 * 140.7 * 160 CM

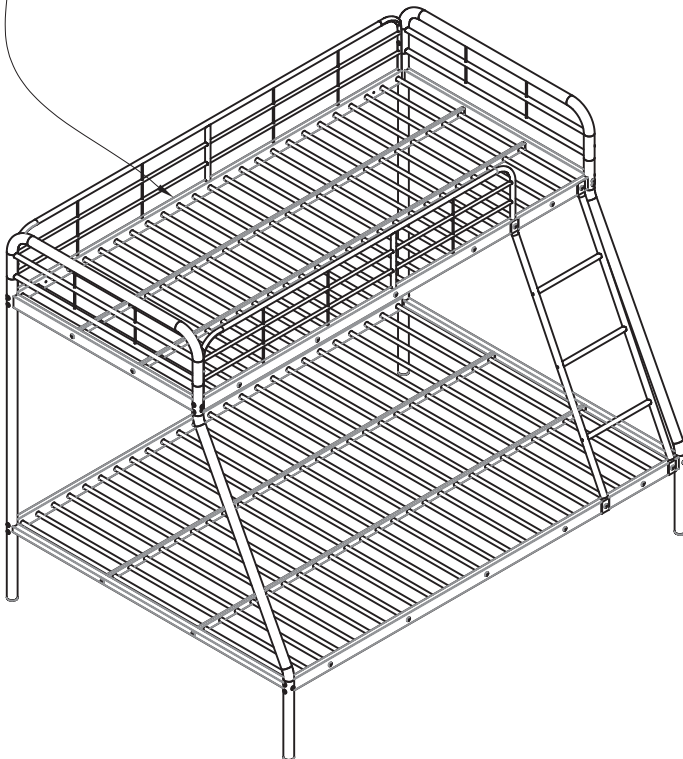
NET WEIGHT OF MATERIAL: 52.1 KGS

MADE IN :BINH DUONG, VIETNAM

MANUFACTURED IN: 2024.07 YEAR MONTH

EN 747-1:2024

This product must be attached to a wall or building structure.





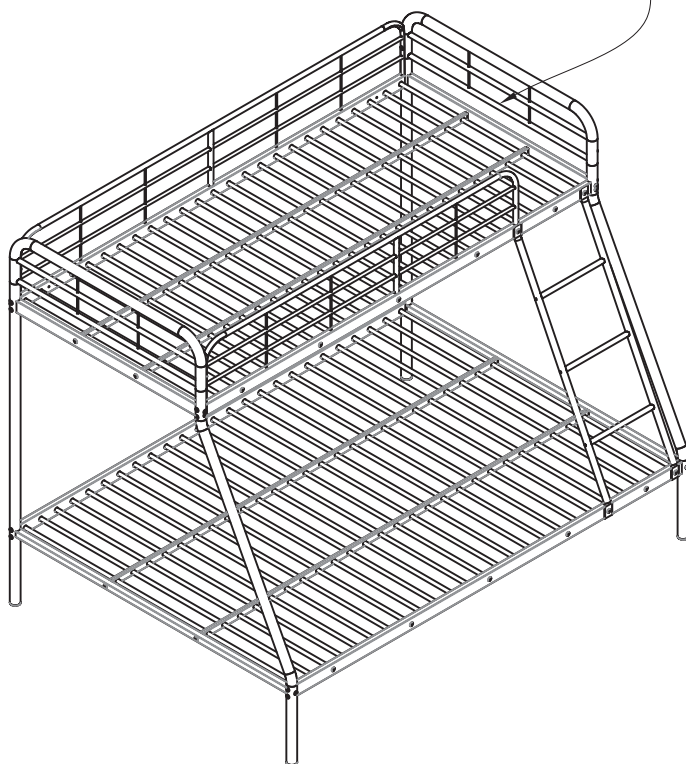
WARNING

To help prevent serious or fatal injuries from entrapment or falls:

- Never allow a child under 6 years on upper bunk.
- Use only mattress which is 188 - 190.5 cm long and 86.4 - 88.9 cm wide on upper bunk.
- Ensure thickness of mattress does not exceed 10cm and mattress is at least 12.7cm below upper edge of guardrails.
- Use guardrails on both sides of upper bunk.
- Prohibit horseplay on or under bed(s).
- Prohibit more than one person on upper bunk.
- Use ladder for entering and leaving upper bunk.

STRANGULATION HAZARD Never attach or hang items to any part of the bunk bed that are not designed for use with the bed; for example, but not limited to, hooks, belts, and jump ropes.

DO NOT REMOVE THIS LABEL



IMPORTANT - READ CAREFULLY - RETAIN FOR FUTURE REFERENCE

- **WARNING** "High beds and the upper bed of bunk beds are not suitable for children under six years due to the risk of injury from falls".
- **WARNING** "Bunk beds and high beds can present a serious risk of injury from strangulation if not used correctly. Never attach or hang items to any part of the bunk bed that are not designed to be used with the bed, for example, but not limited to ropes, strings, cords, hooks, belts and bags".
- **WARNING** "Children can become trapped between the bed and the wall, a roof pitch, the ceiling, adjoining pieces of furniture (e.g. cupboards) and the like. To avoid risk of serious injury the distance between the top safety barrier and the adjoining structure shall not exceed 75 mm or shall be more than 230 mm".
- **WARNING** Do not use the bunk bed/high bed if any structural part is broken or missing.
- Always follow the manufacturer's instructions.
- The recommended size of the mattress(es): 188 - 190.5cm long , 86.4 - 88.9cm wide and 10cm high on upper bunk.
- A statement that ventilation of the room is necessary in order to keep the humidity low and to prevent mould in and around the bed.
- All bunk beds and high beds intended to be assembled by other than the manufacturer or his/her representative shall include assembly instructions including a list of the parts supplied and details of any tools required to assemble the bed.
- A statement to check regularly that all assembly fastenings are properly tightened.
- Compliant with the safety requirements of standard EN 747-1:2024.

• Replacement Parts:

Replacement parts, including additional guardrails, may be obtained from our manufacture.

• Safety Warnings:

1. Follow the information on the warnings appearing on the upper bunk end structure and on the carton. Do not remove warning label from bed.
2. Always use the recommended size mattresses or mattress supports, or both, to help prevent the likelihood of entrapment or falls.
3. Surface of mattress must be at least 5 inch(127 mm). Below the upper edge of guardrails.
4. Do not allow children under 6 years of age to use the upper bunk.
5. Periodically check and ensure that the guardrail, ladder, and other components are in their proper position, free from damage, and that all connectors are tight.
6. Do not allow horseplay on or under the bed and prohibit jumping on the bed.
7. Always use the ladder for entering and leaving the upper bunk.
8. Do not use substitute parts. Contact the manufacturer for replacement parts.
9. Use of a night light may provide added safety precaution for a child using the upper bunk.
10. Always use guardrails on both long sides of the upper bunk. If the bunk bed will be placed next to the wall, the guardrail that runs the full length of the bed should be placed against the wall to prevent entrapment between the bed and wall.
11. The use of water or sleep flotation mattresses is prohibited.
12. **STRANGULATION HAZARD** - Never attach or hang items to any part of the bunk bed that are not designed for use with the bed; for example, but not limited to hooks, belts and jump ropes.
13. Keep these instructions for future reference.



Return / Damage Claim Instructions

- ⚠ DO NOT discard the box / original packaging.**
In case a return is required, the item must be returned in original box. Without this your return will not be accepted.
- ⚠ Take a photo of the box markings.**
A photo of the markings (text) on the side of the box is required in case a part is needed for replacement. This helps our staff identify your product number to ensure you receive the correct parts.
- ⚠ Take a photo of the damaged part (if applicable).**
A photo of the damage is always required to file a claim and get your replacement or refund processed quickly. Please make sure you have the box even if it is damaged.
- ⚠ Send us an email with the images requested.**
Email us directly from marketplace where your item was purchased with the attached images and a description of your claim.

USA office: Fontana **AUS** office: Truganina

GBR office: FDS Corporation Limited, Unit 4, Blackacre Road, Great Blakenham, Ipswich, Ip6 0FL, United Kingdom

If you're having difficulty, our friendly customer team is always here to help.



USA: cs.us@costway.com
AUS: cs.au@costway.com
GBR: cs.uk@costway.com