

Kitchen Pantry Cabinet
KC58363

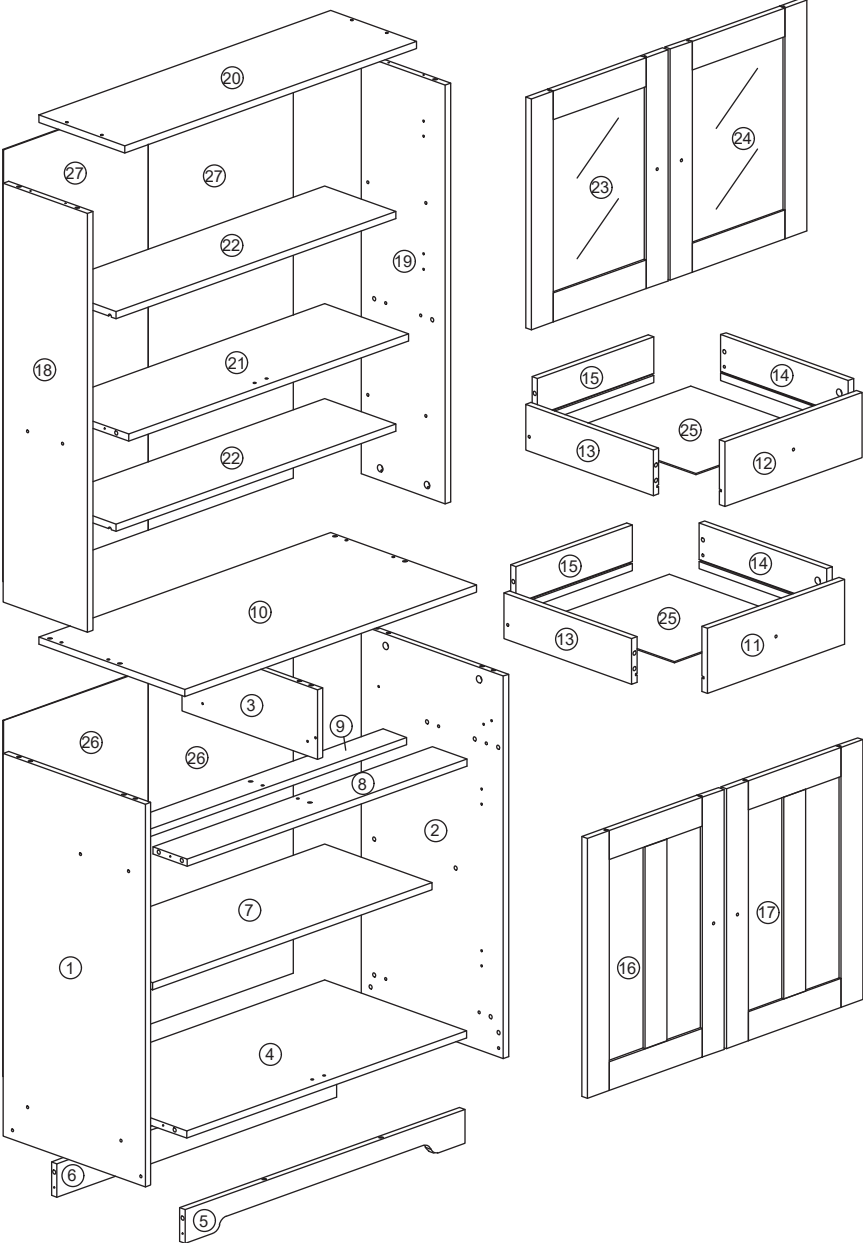
THIS INSTRUCTION BOOKLET CONTAINS **IMPORTANT** SAFETY INFORMATION.
PLEASE READ AND KEEP FOR FUTURE REFERENCE.



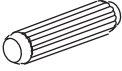
Before You Start

- ⚠ Please read all instructions carefully.
- ⚠ Retain instructions for future reference.
- ⚠ Separate and count all parts and hardware.
- ⚠ Read through each step carefully and follow the proper order.
- ⚠ We recommend that, where possible, all items are assembled near to the area in which they will be placed in use, to avoid moving the product unnecessarily once assembled.
- ⚠ Always place the product on a flat, steady and stable surface.
- ⚠ Keep all small parts and packaging materials for this product away from babies and children as they potentially pose a serious choking hazard.

Parts List




Hardware List



8x25mm

(A)	x50
-----	-----


Dowel Wood



15MM

(B)	x14Sets
-----	---------


Myfix Minifix



M3.5x16mm

(C)	x64
-----	-----


Screw



M4x45mm

(D)	x26
-----	-----


Screw



M3.5x12mm

(E)	x12
-----	-----


Screw



209

(F)	x6
-----	----

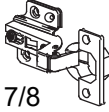
Handle



M4x28mm

(G)	x6
-----	----


Screw



7/8

(H)	x8
-----	----


Hinges



6/8

(I)	x38
-----	-----

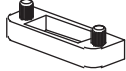
Power Pin



5/8

(J)	x4
-----	----


Nail With Pin



2 Pin Stopper

(K)	x4
-----	----


2 Pin Stopper



Shelf Support

(L)	x8
-----	----


Shelf Support



350mm

(M)	x2Sets
-----	--------

Drawer Slide

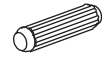


Sticker

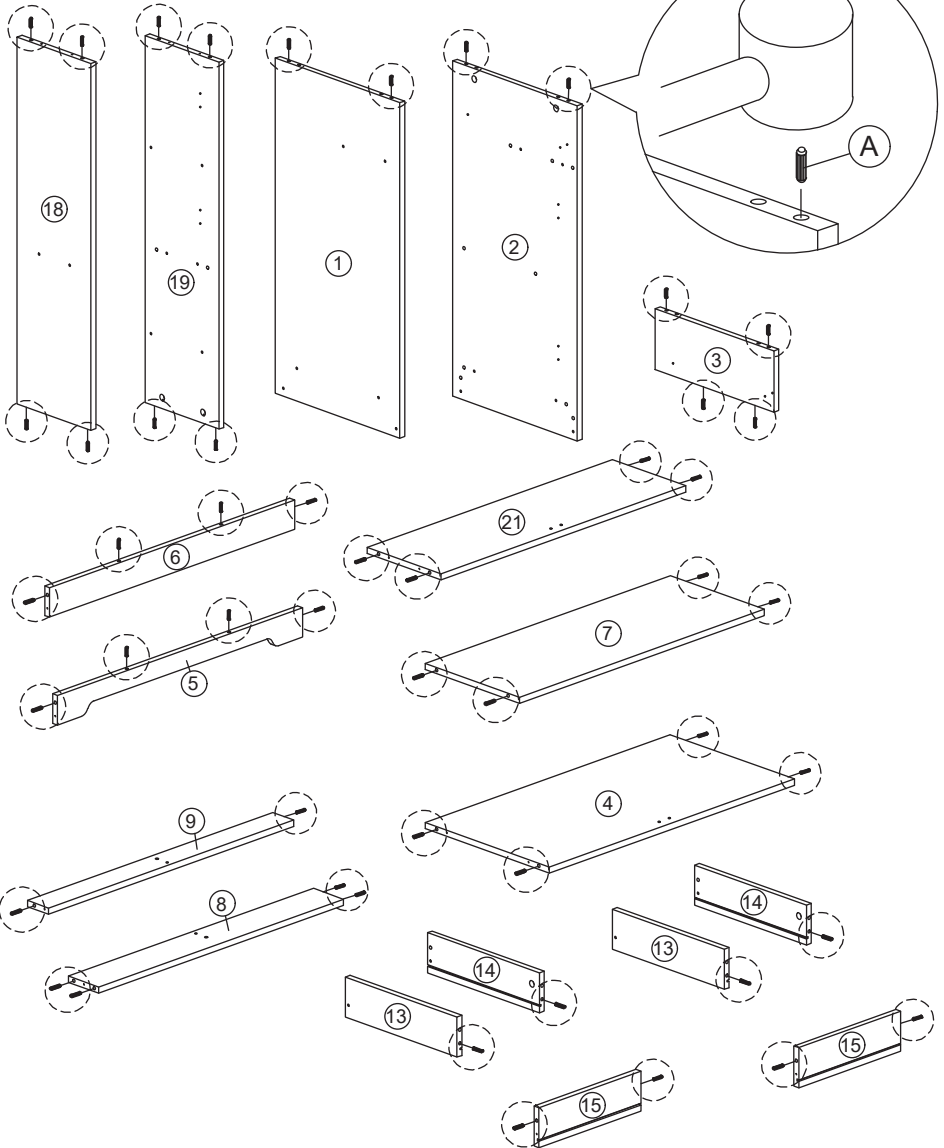
(N)	x16
-----	-----

Sticker

1



A x50

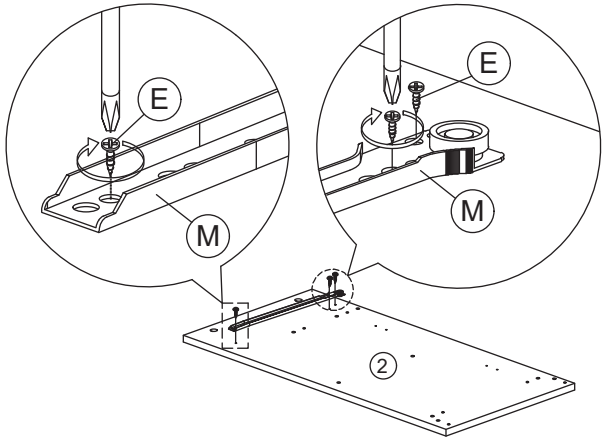
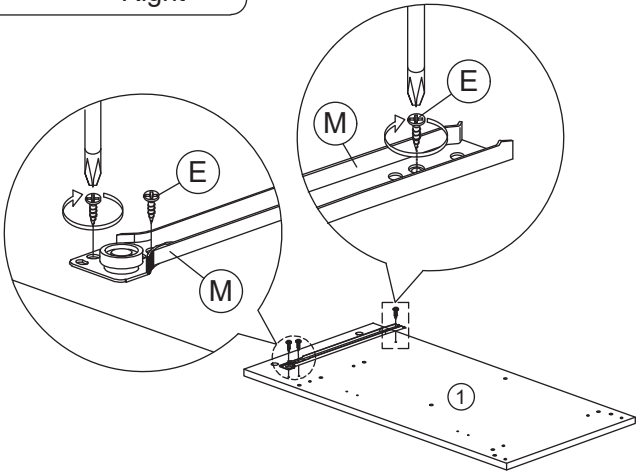
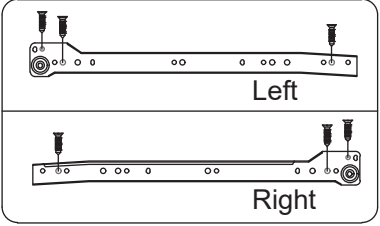


2

L (M) x1

E x6

R (M) x1

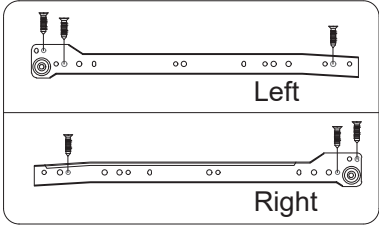


3

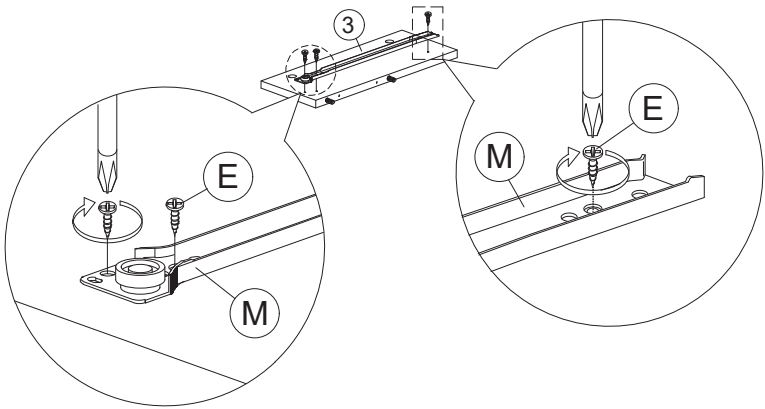
L (M) x1

E x6

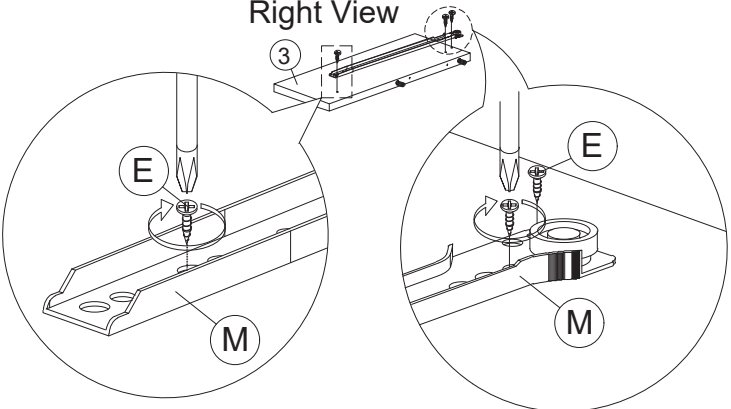
R (M) x1



Left View

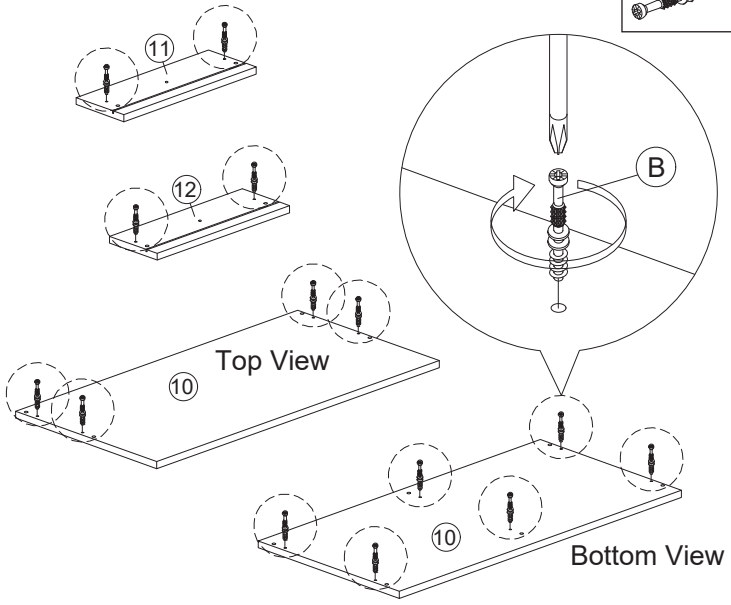


Right View


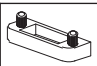


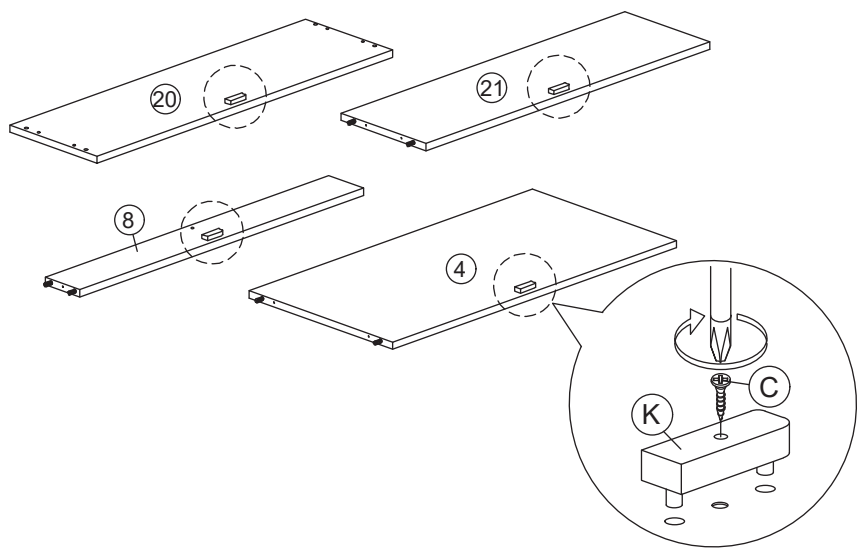
4

 B x14

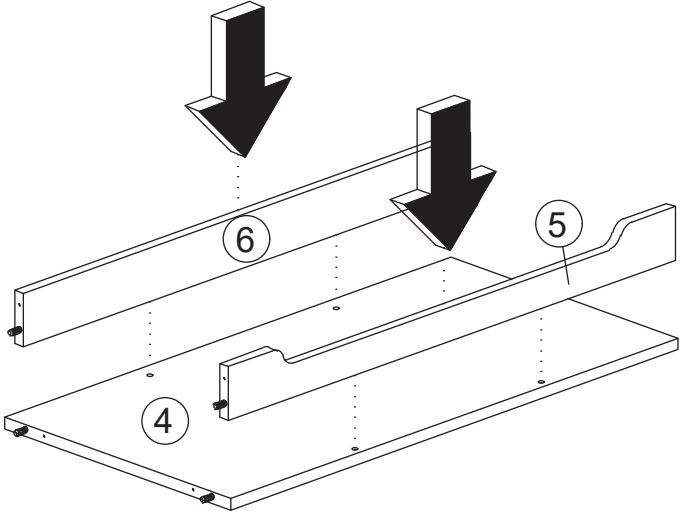


5

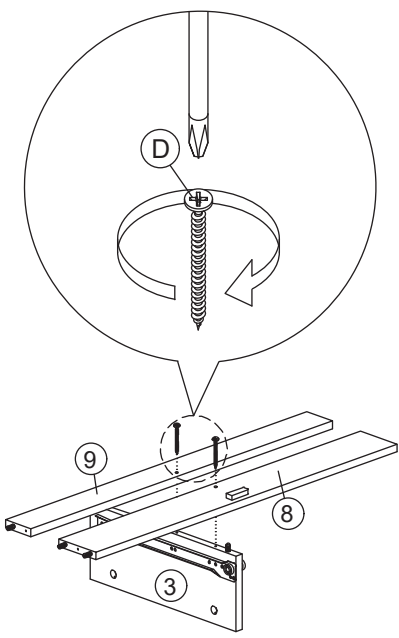
 C x4  K x4



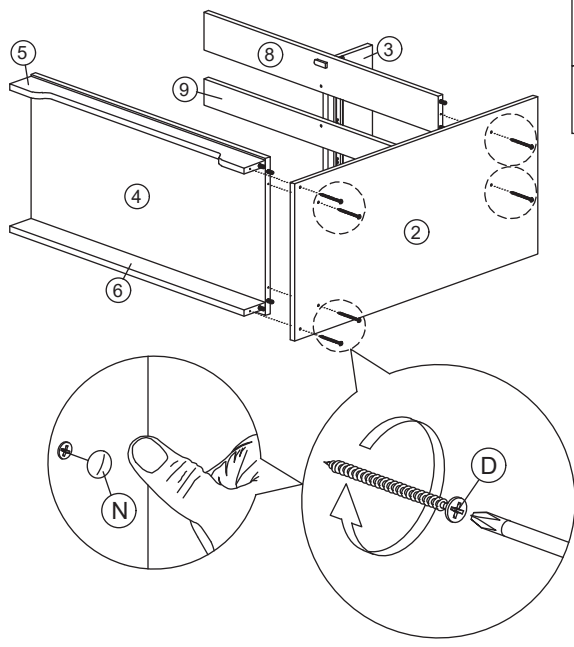
6



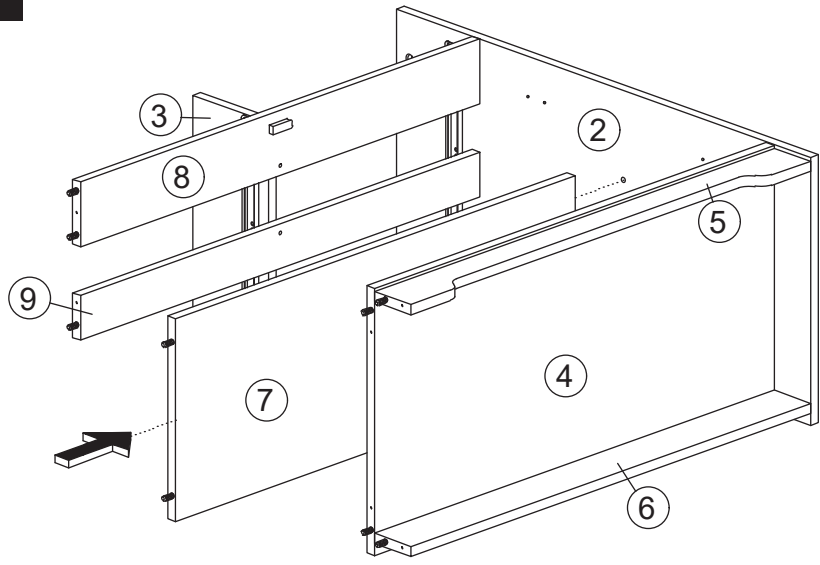
7



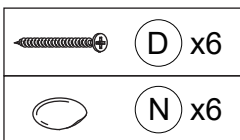
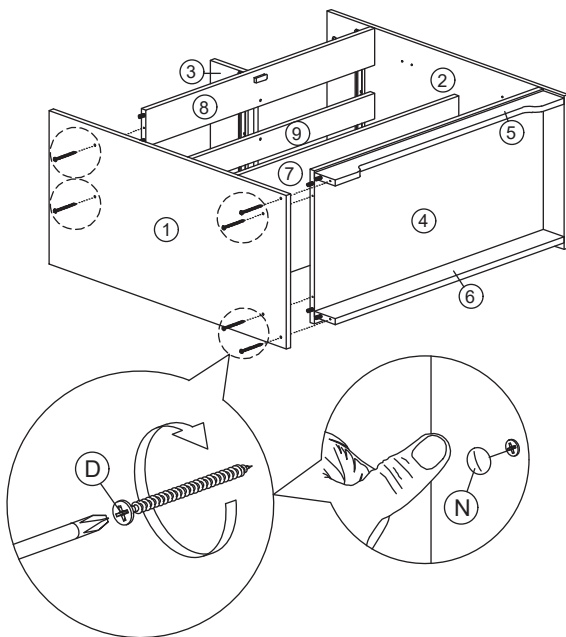
8



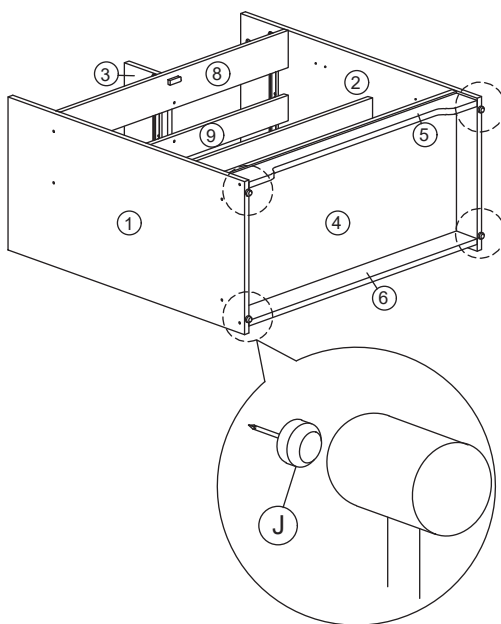
9



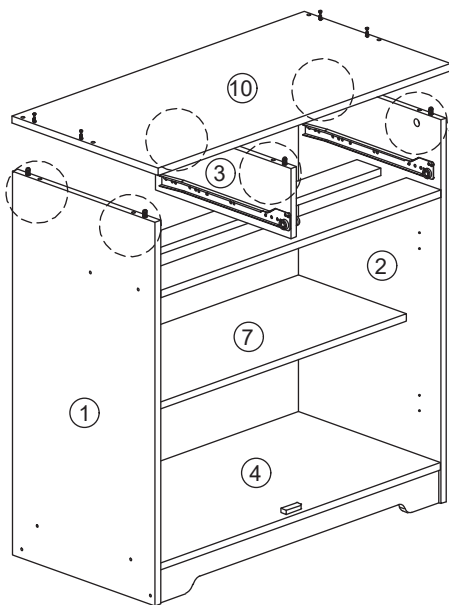
10



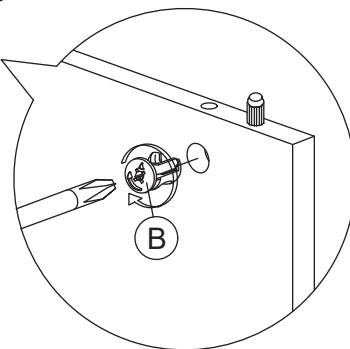
11



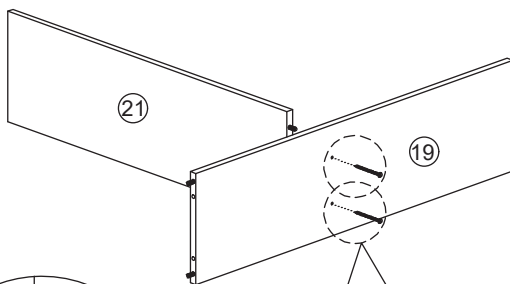
12



B x6



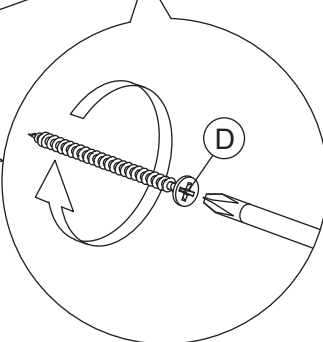
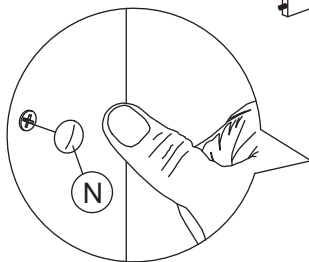
13



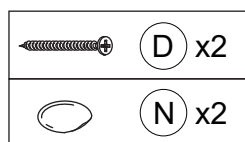
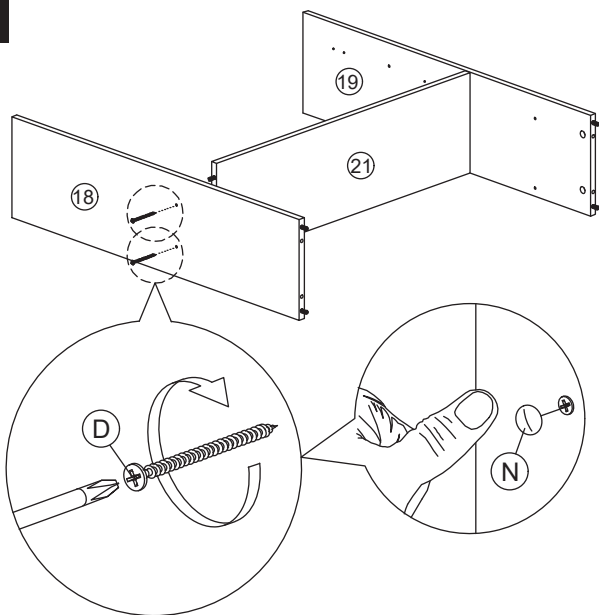
D x2



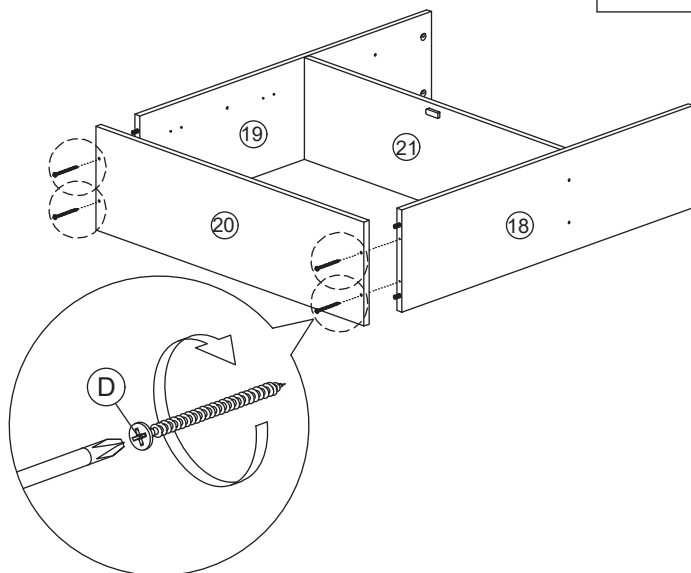
N x2

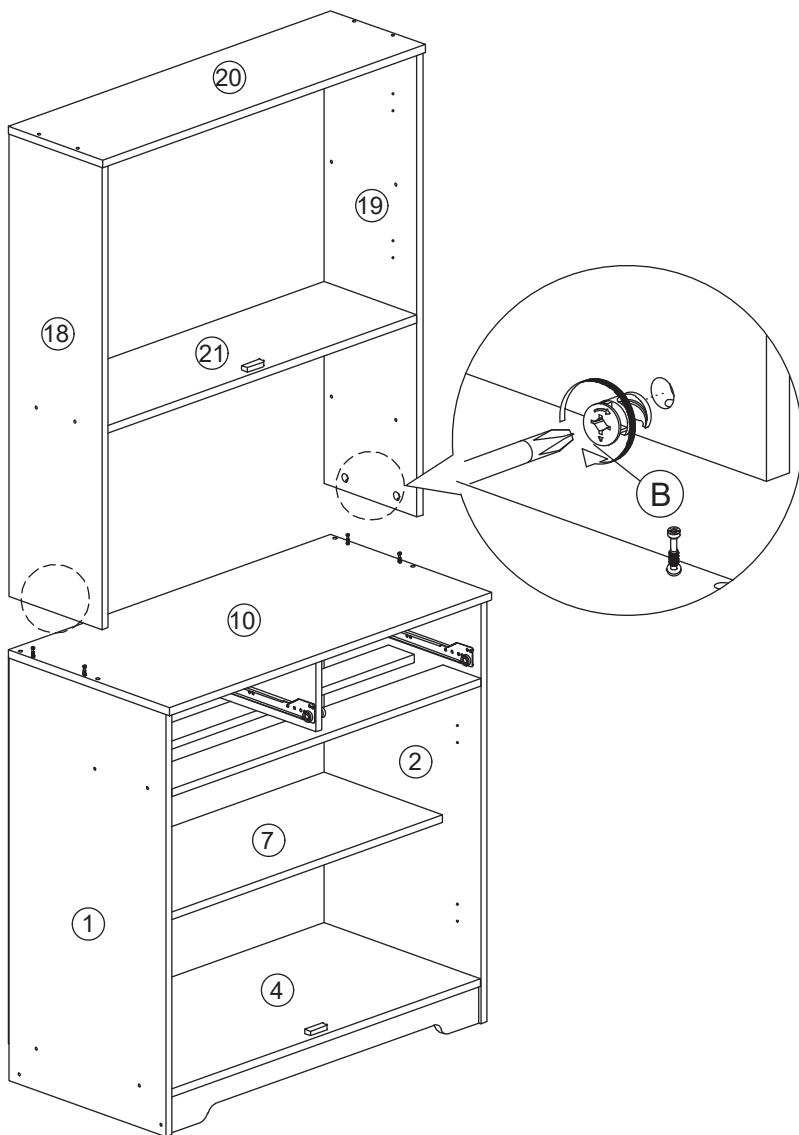


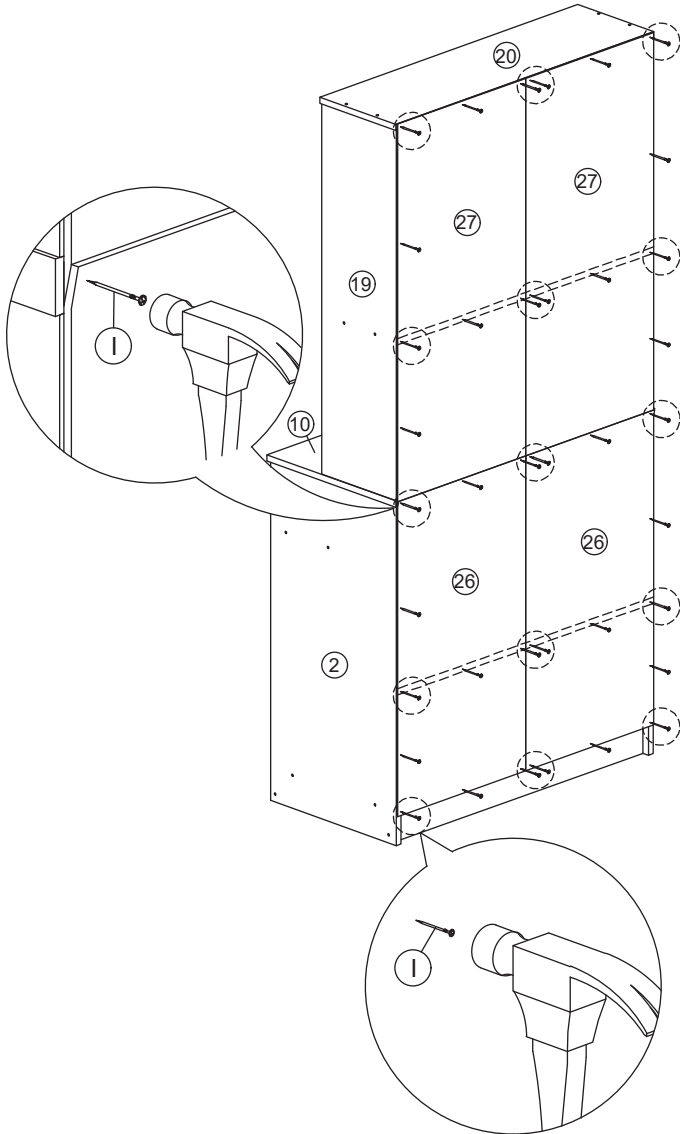
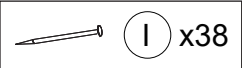
14

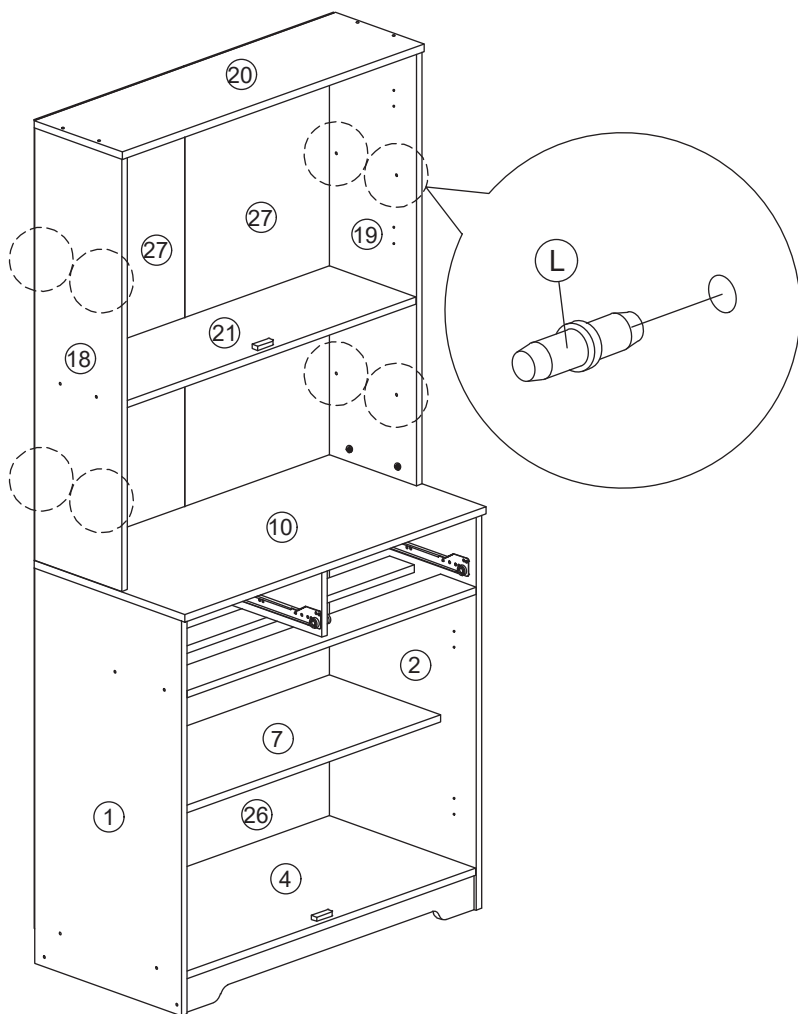


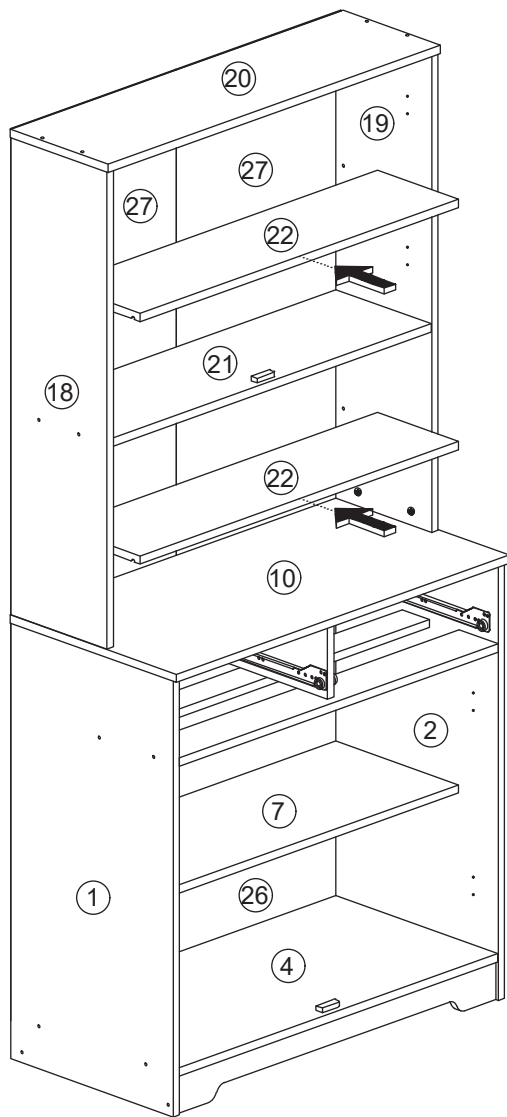
15

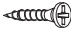
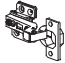


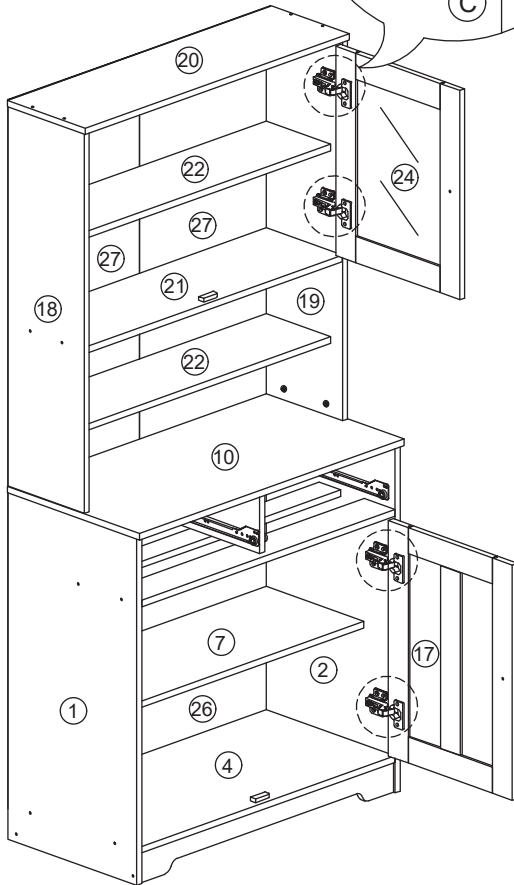
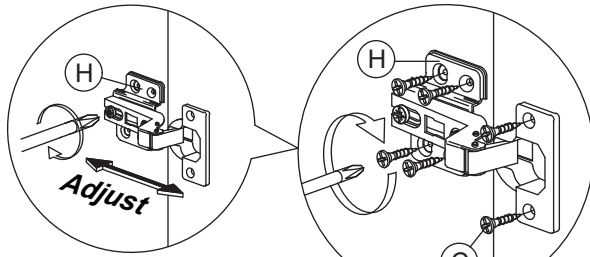






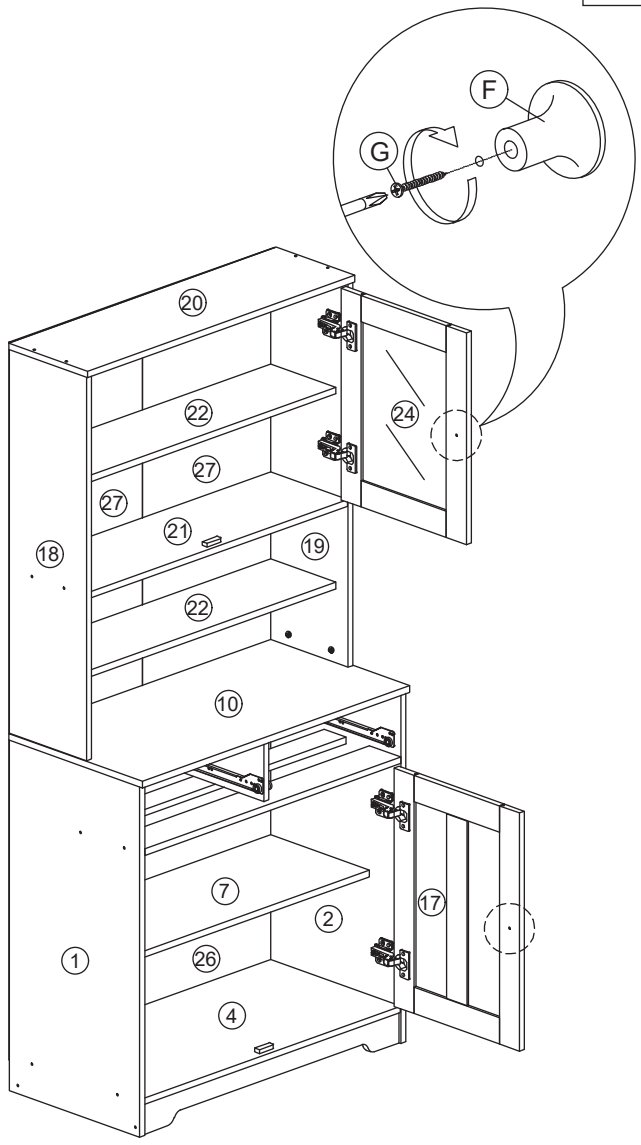



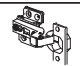


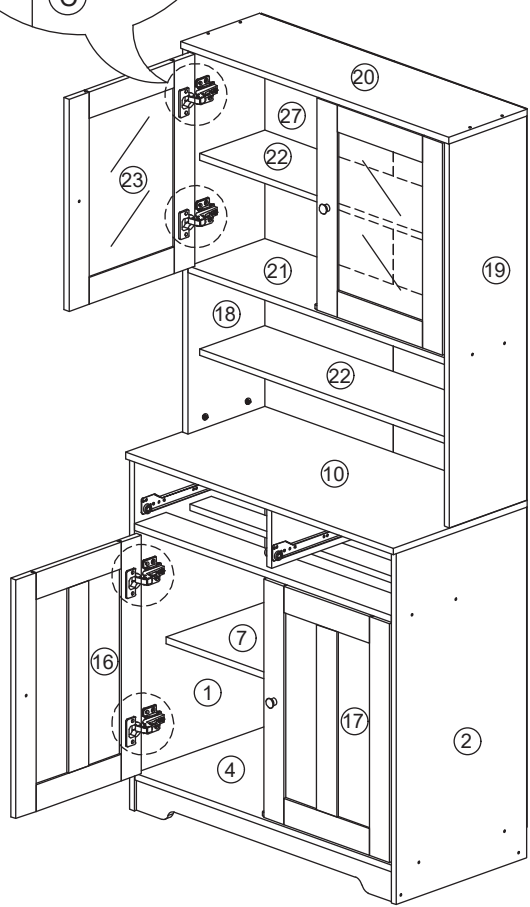
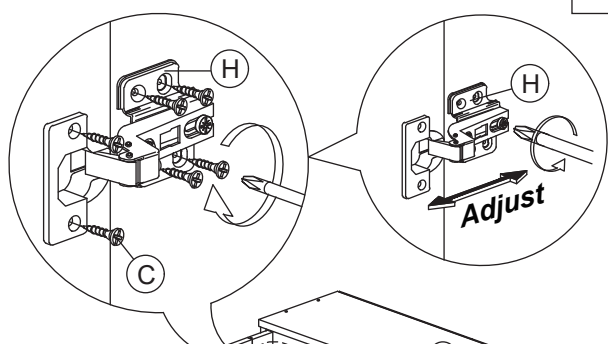
	C x24
	H x4





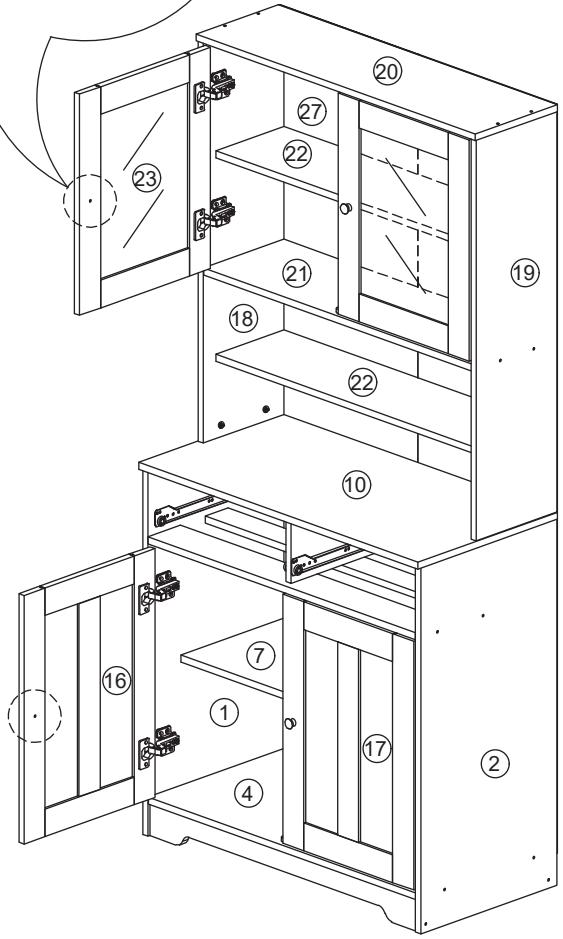
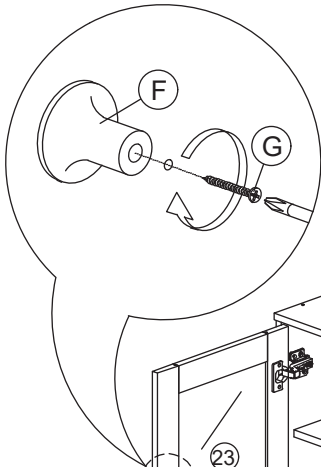
	F x2
	G x2



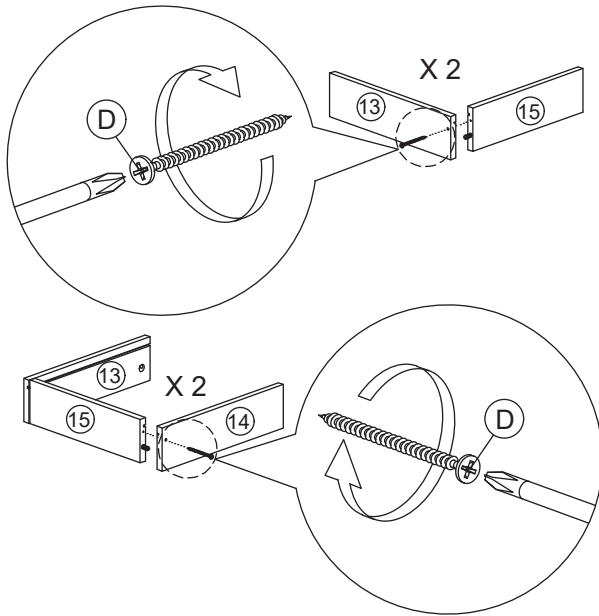
-  C x24
-  H x4



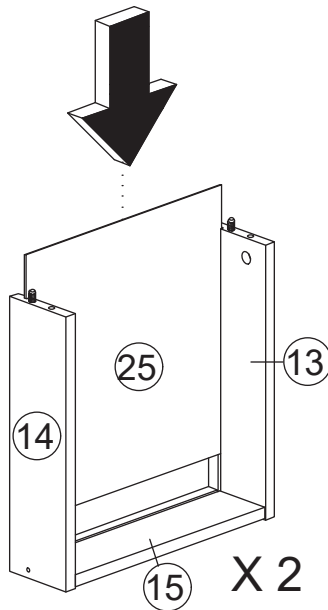
	F x2
	G x2



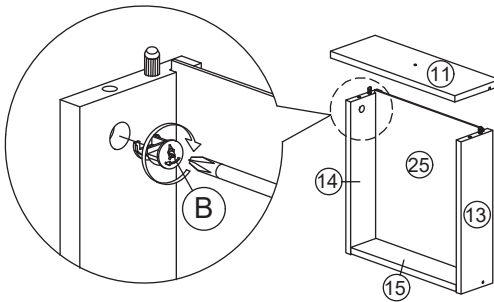
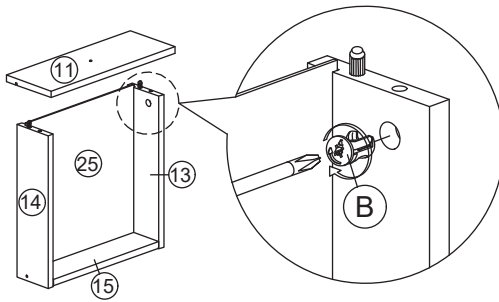
24



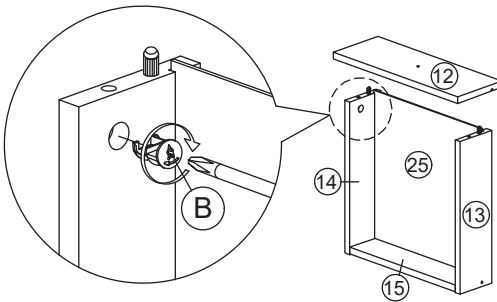
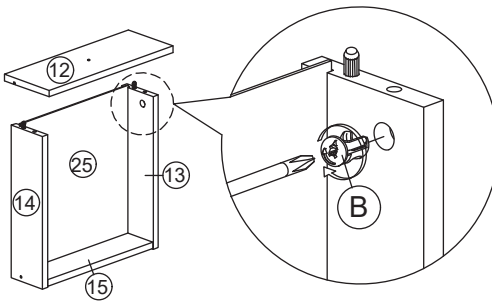
25



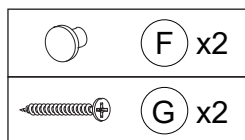
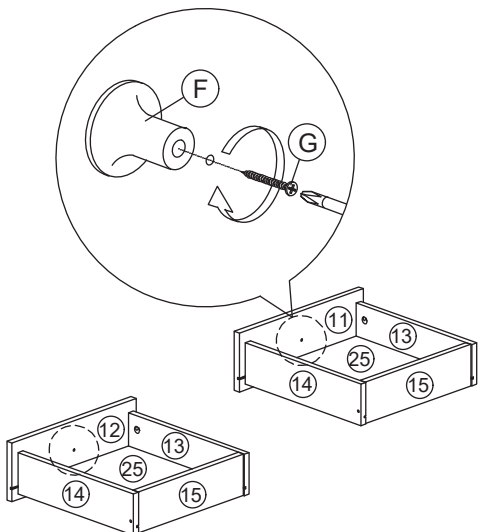
26



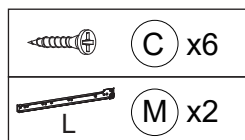
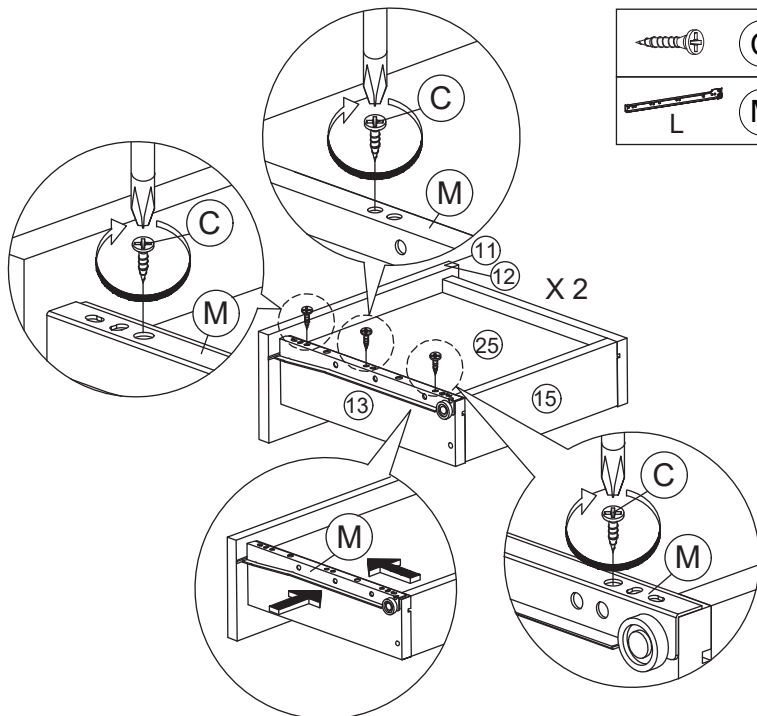
27

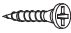



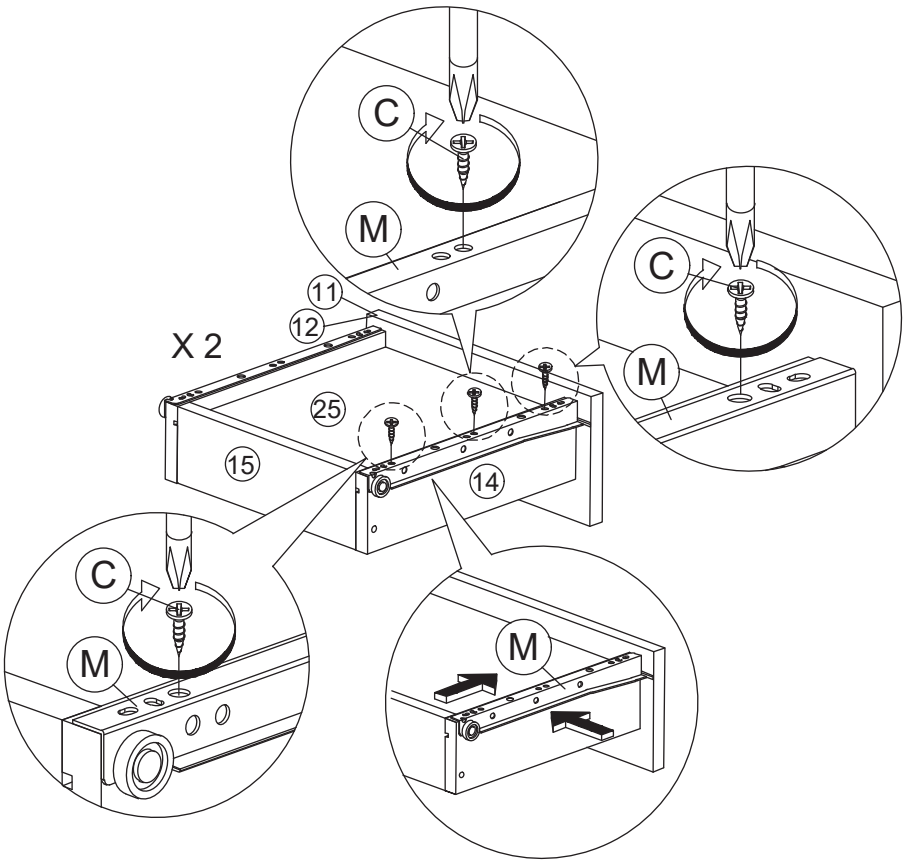
28

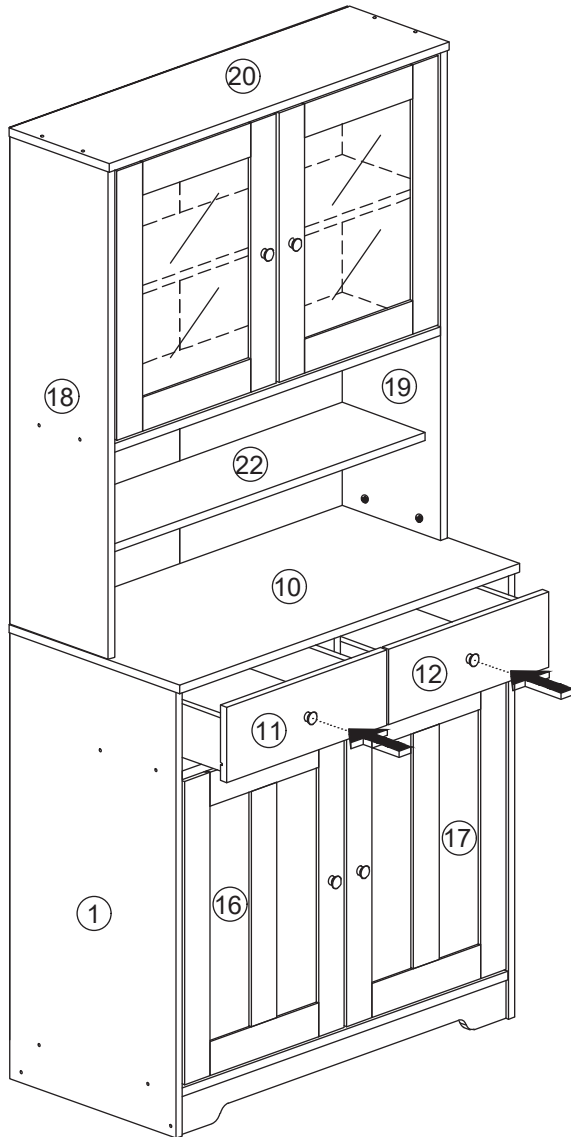


29



	C x6
	M x2







USA office: Fontana **AUS** office: Truganina
GBR office: FDS Corporation Limited, Unit 4, Blackacre
Road, Great Blakenham, Ipswich, IP6 0FL, United Kingdom