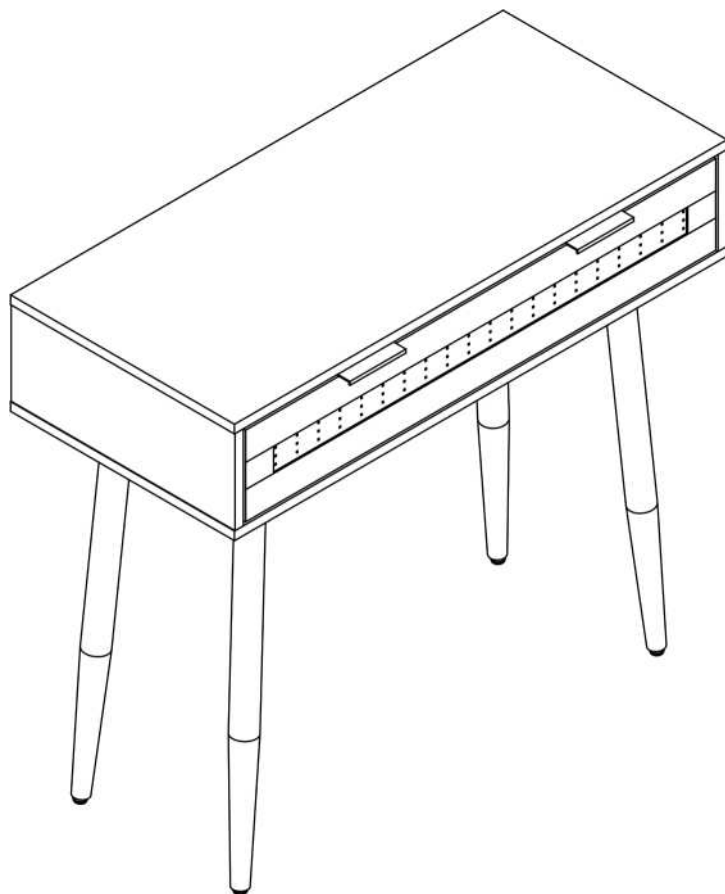
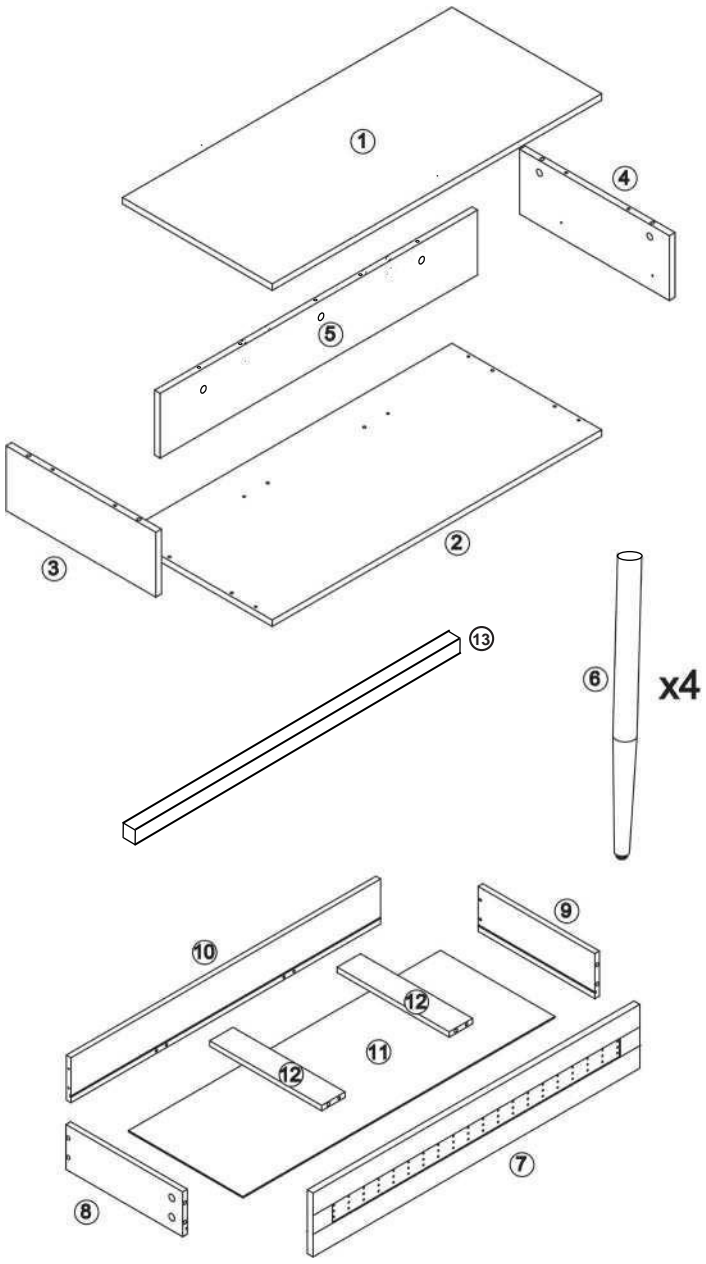


USER GUIDE



MARRAKESH CONSOLE

COMPONENTS



Hardware



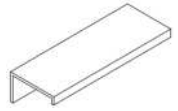
A (x13)



B (x13)



C (x12)



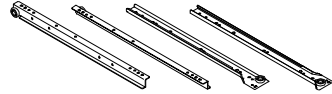
D (x2)



E (x4)

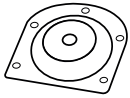


F (x12)



DR DL CL CR

G (x1)



H (x4)



I (x20)



J (x4)



K (x2)



L (x3)



M (x1)



N (x13)

ASSEMBLY

Step 1:

Note:

A Phillips head screwdriver (not supplied) will be required to assemble this console.



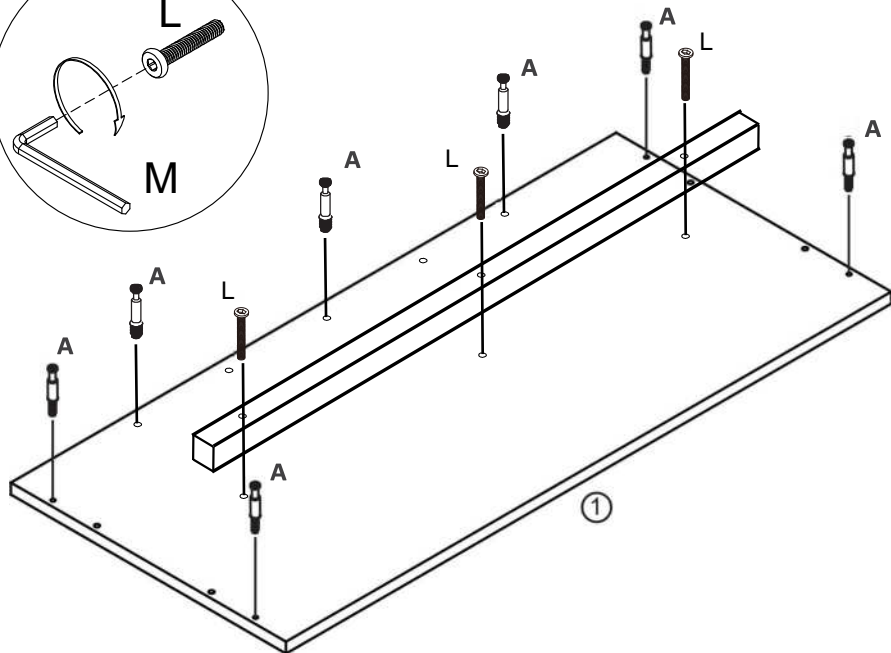
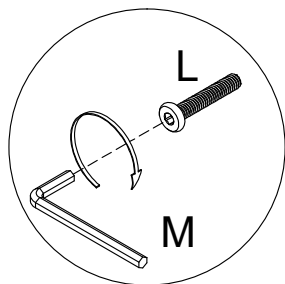
A (x7)



L (x3)



M (x1)



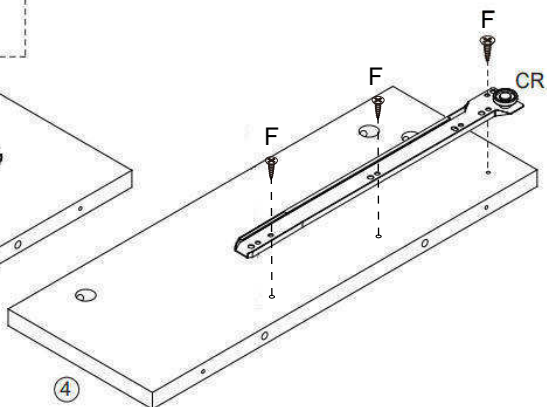
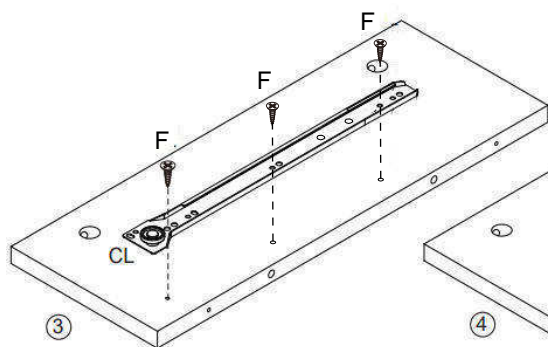
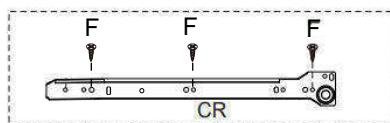
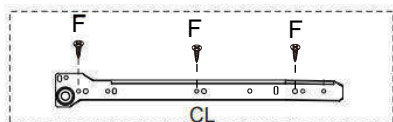
Step 2:



F (x6)



CL **CR**
G (x1)



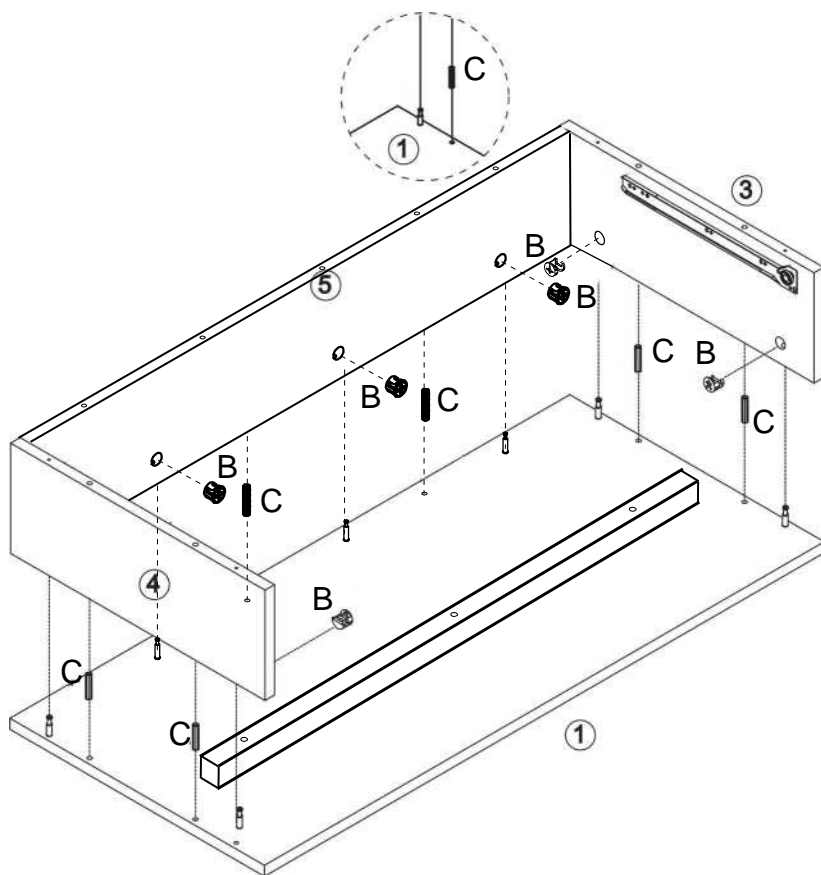
Step 3:



B(x7)



C(x6)



Step 4:



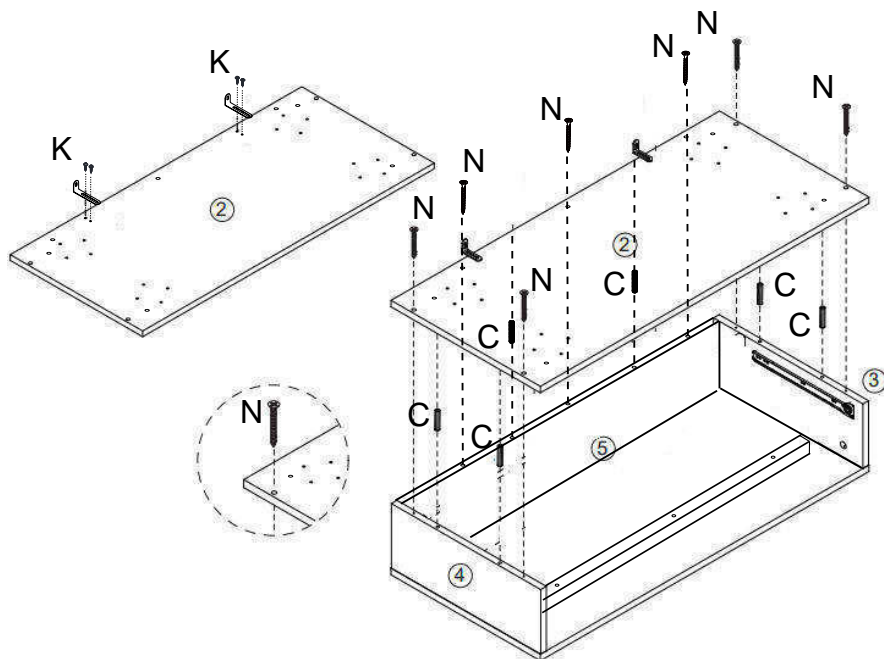
N (x7)



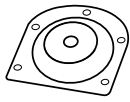
C (x6)



K (x2)



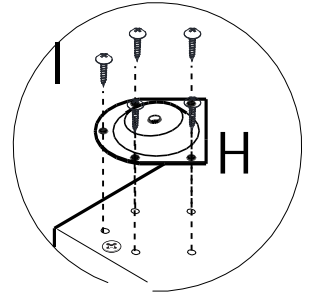
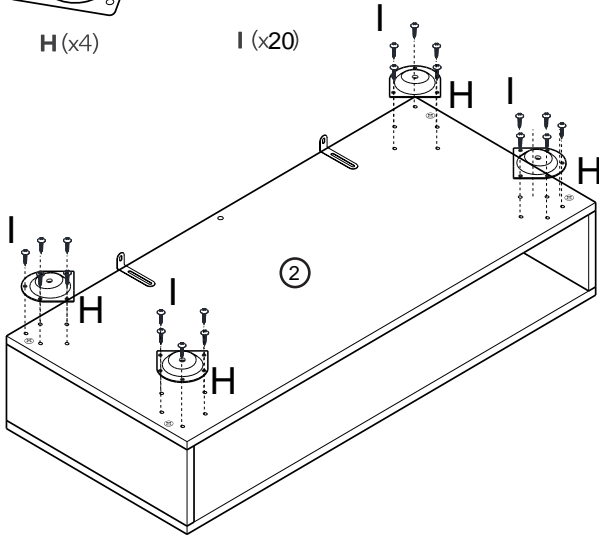
Step 5:



H (x4)



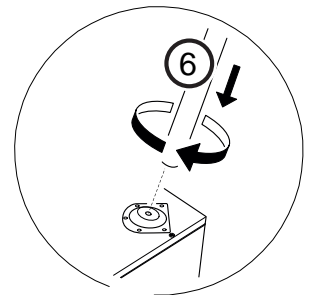
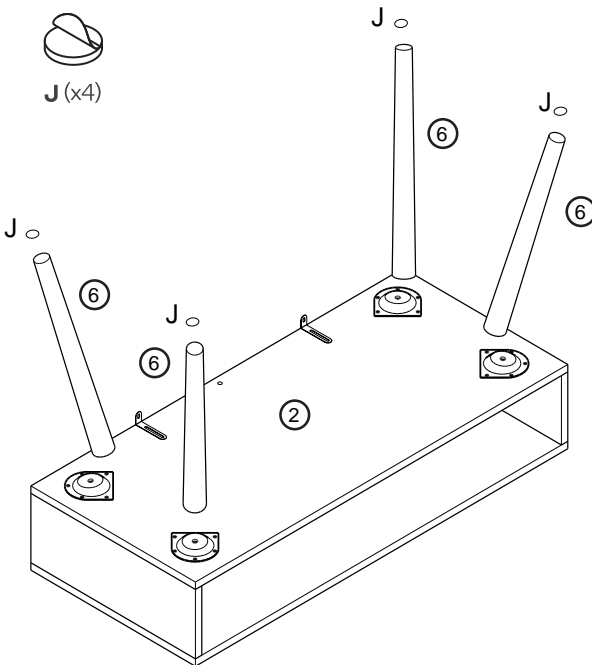
I (x20)



Step 6:



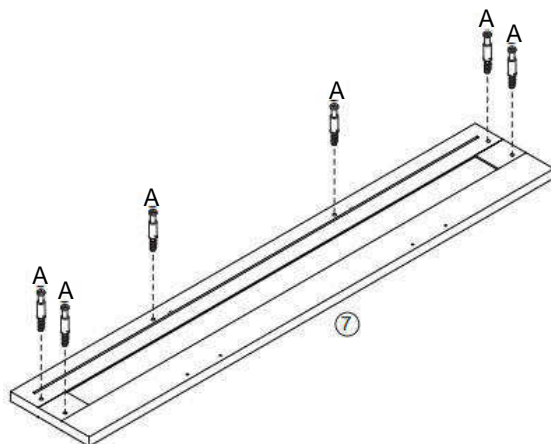
J (x4)



Step 7:



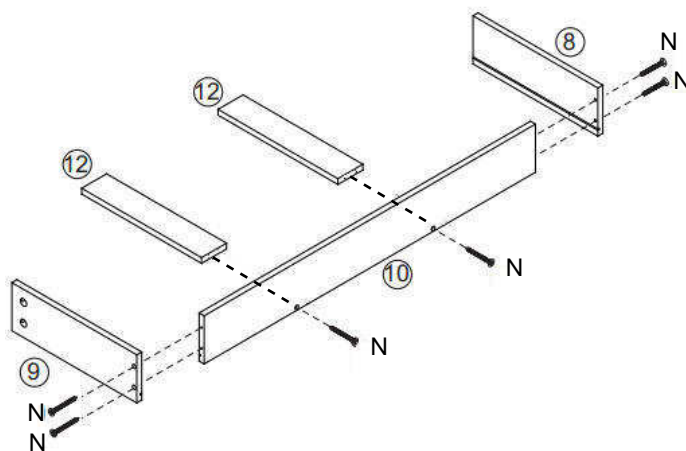
A (x6)



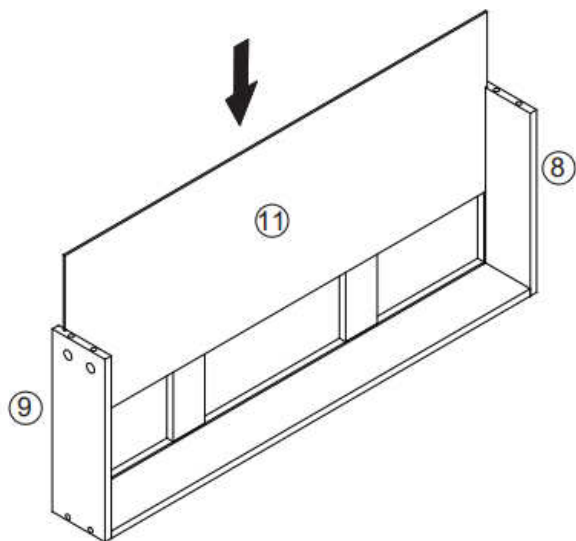
Step 8:



N (x6)



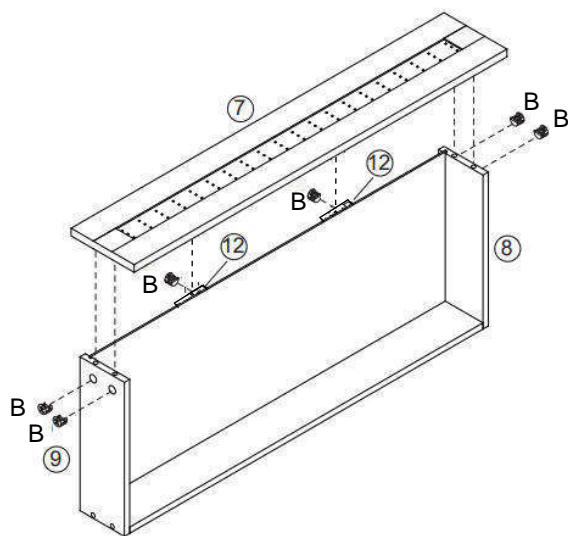
Step 9:



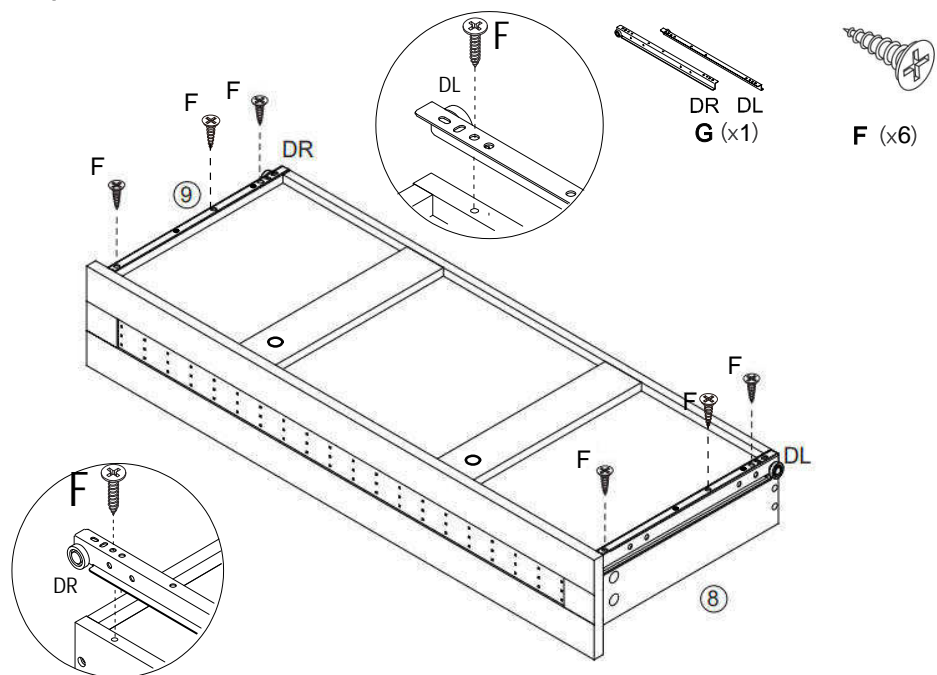
Step 10:



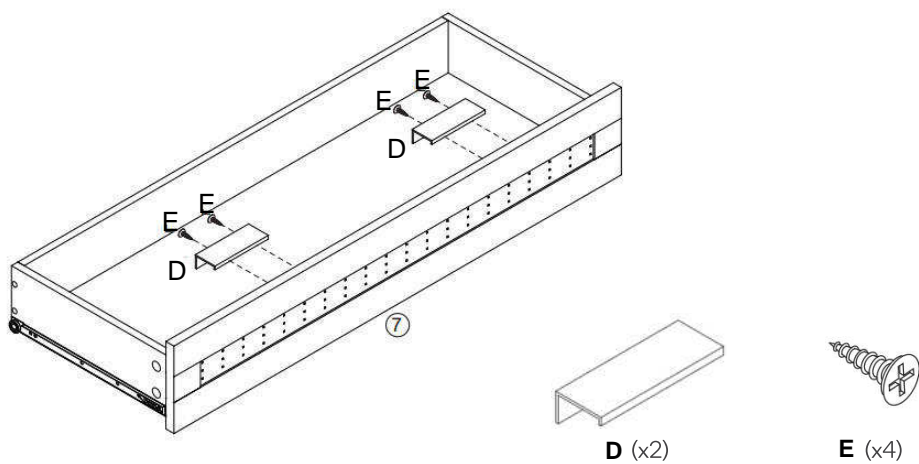
B(x6)



Step 11:



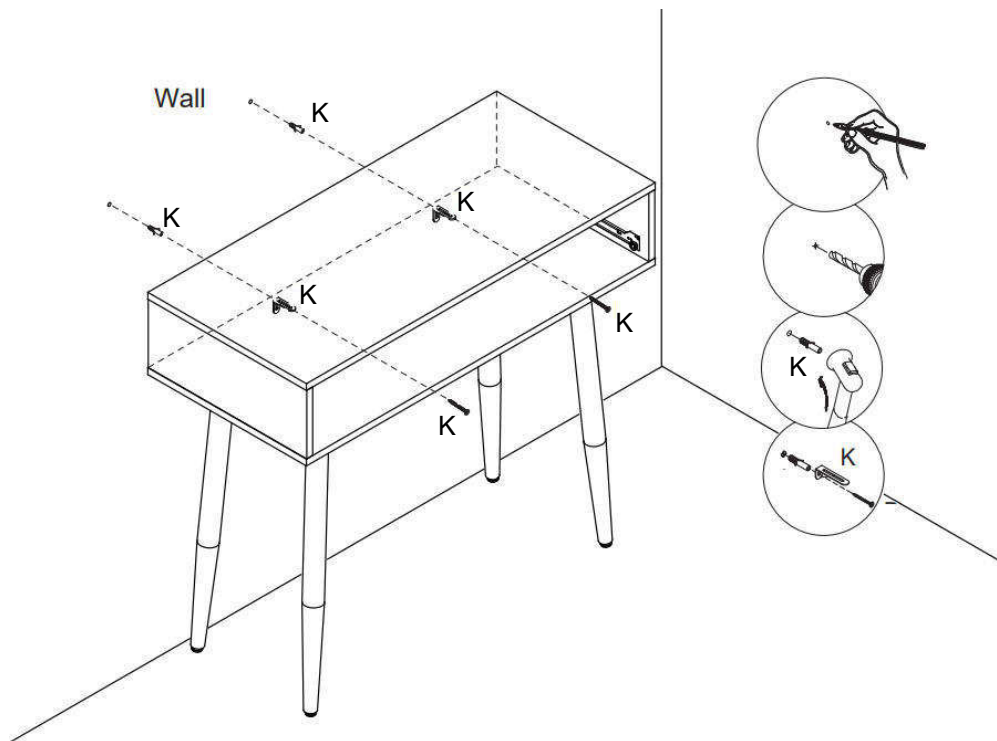
Step 12:



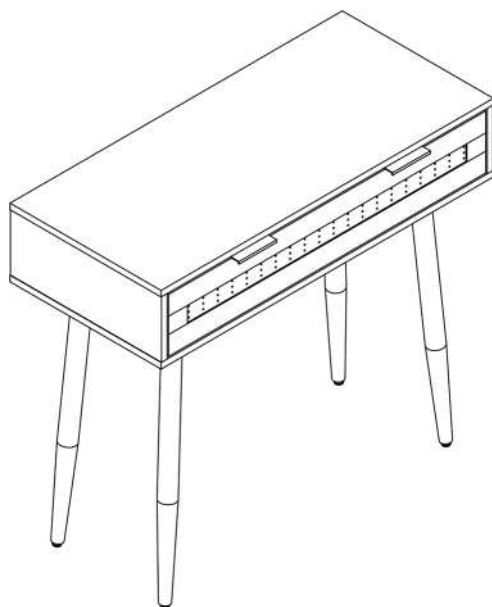
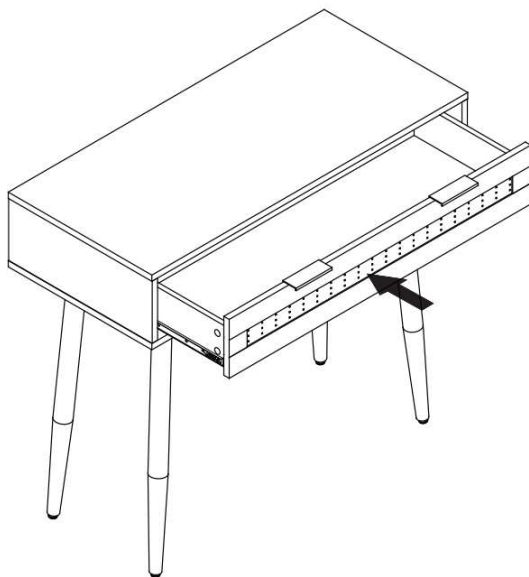
Step 13:



K(x2)



Step 14:



Assembly is complete.