

Patio Glider Chair  
**HW73884**

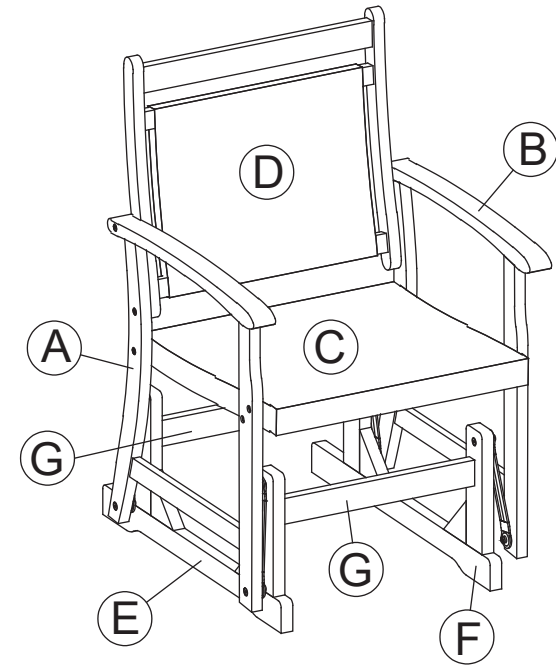
**USA** office: Fontana      **AUS** office: Truganina  
**GBR** office: FDS Corporation Limited, Unit 4, Blackacre  
Road, Great Blakenham, Ipswich, IP6 0FL, United Kingdom

THIS INSTRUCTION BOOKLET CONTAINS **IMPORTANT** SAFETY INFORMATION.  
PLEASE READ AND KEEP FOR FUTURE REFERENCE.



## Before You Start

- ⚠ Please read all instructions carefully.
- ⚠ Retain instructions for future reference.
- ⚠ Separate and count all parts and hardware.
- ⚠ Read through each step carefully and follow the proper order.
- ⚠ We recommend that, where possible, all items are assembled near to the area in which they will be placed in use, to avoid moving the product unnecessarily once assembled.
- ⚠ Always place the product on a flat, steady and stable surface.
- ⚠ Keep all small parts and packaging materials for this product away from babies and children as they potentially pose a serious choking hazard.

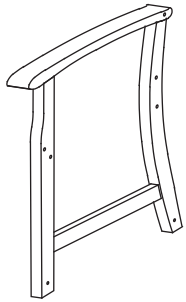


### Notice

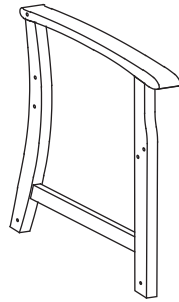
1. 50% tighten before all screws are in place. Allen wrench is recommended instead of an electric drill.
2. Place the item on a flat ground to adjust and make sure it remains stable. Tighten up all screws with tools gradually.
3. If the screws are not aligned with holes during assembly, please loosen all the other screws to 50% and continue the assembly process.
4. If the item is not stable, please loosen all the screws, adjust it on a flat ground and tighten up all screws again.
5. If one or some screws are fully tightened during assembly, the others may not be aligned with the holes. In addition, all the holes are designed to be relatively larger to provide more space for the adjustment of the screws.

## Parts List

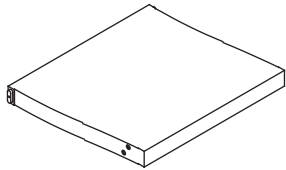
Ⓐ x 1



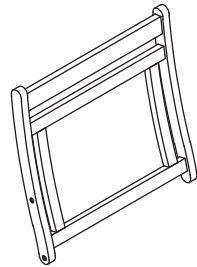
Ⓑ x 1



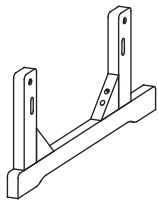
Ⓒ x 1



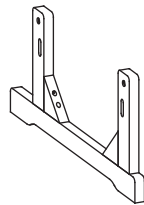
Ⓓ x 1



Ⓔ x 1



Ⓕ x 1



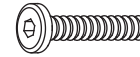
Ⓖ x 2



## Hardware List

Bolt

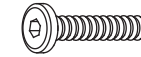
① x 10



M6 x 35mm

Bolt

② x 4



M6 x 40mm

Bolt

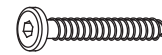
③ x 2



M6 x 55mm

Screw

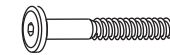
④ x 2



M6 x 60mm

Screw

⑤ x 4



M7 x 70mm

Steel Washer

⑥ x 16



M6X18X2

Nut

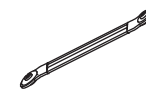
⑦ x 8



M6X18

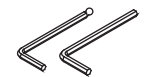
Glider

⑧ x 4



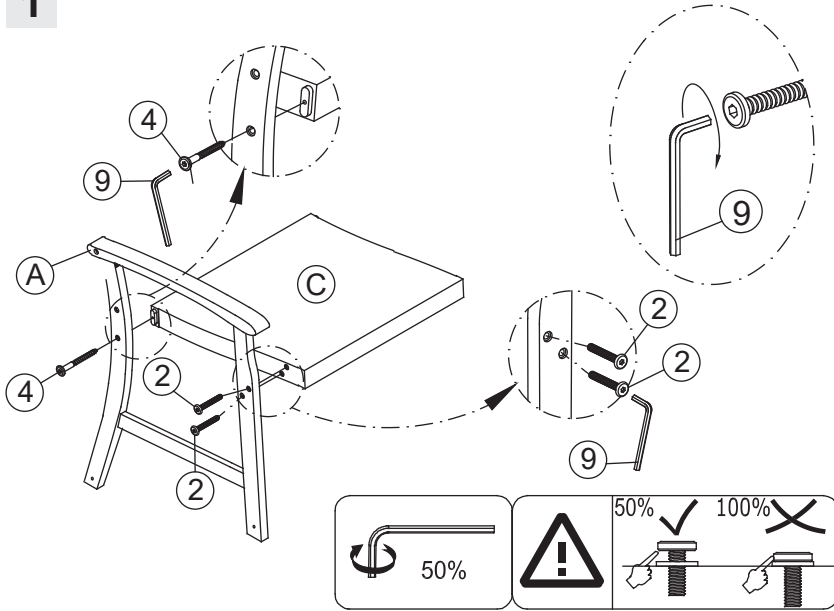
Allen Key

⑨ x 2

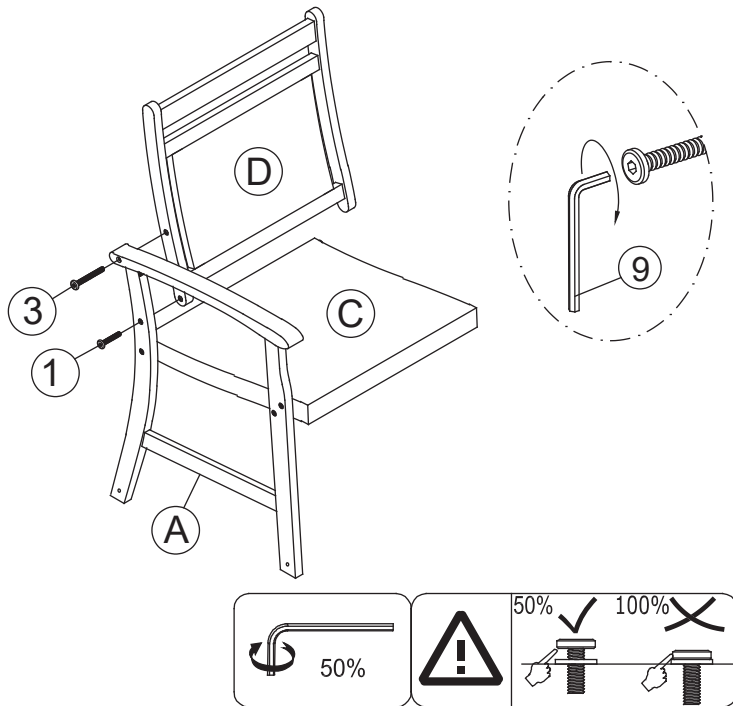


M4

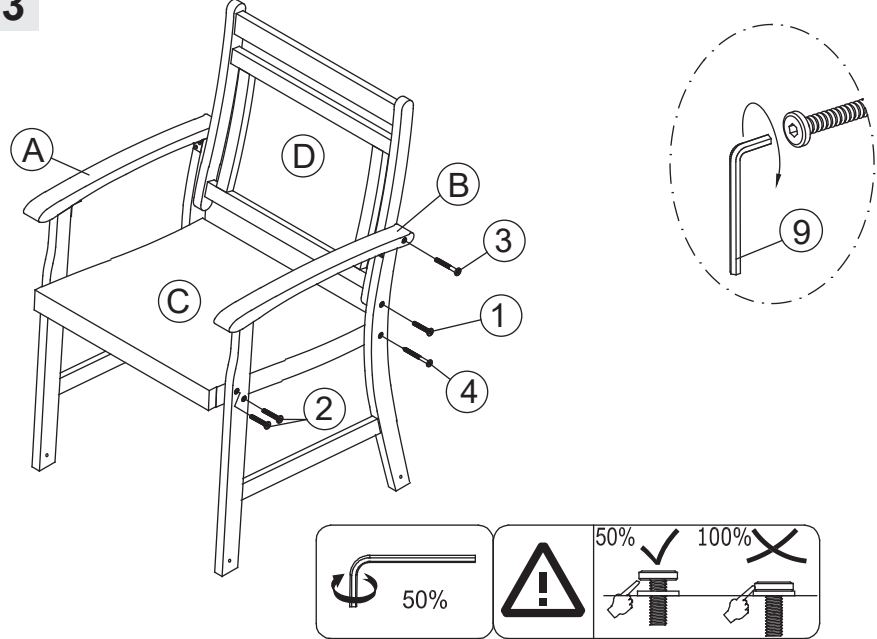
1



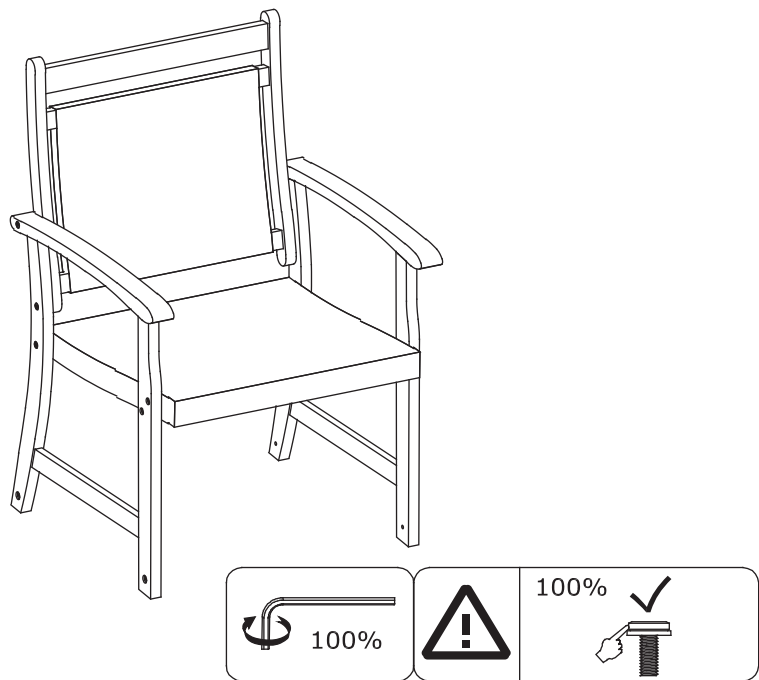
2



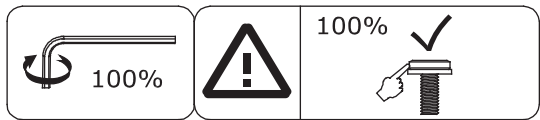
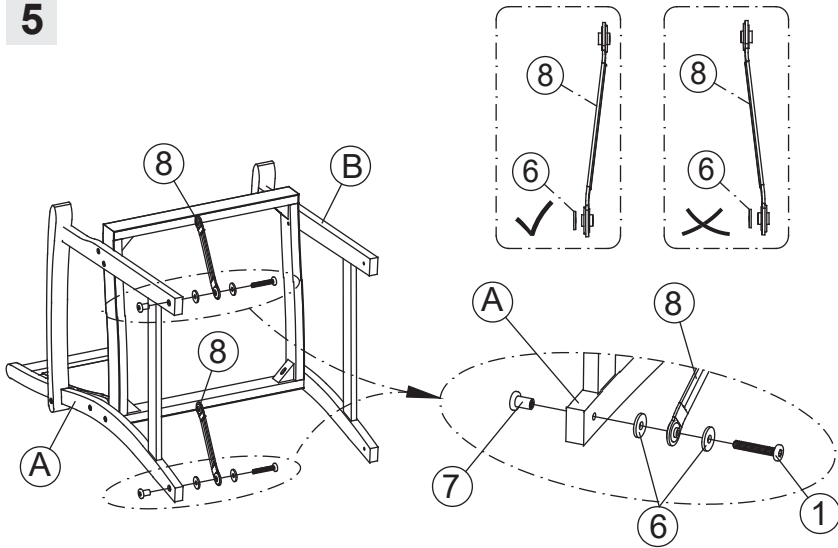
3



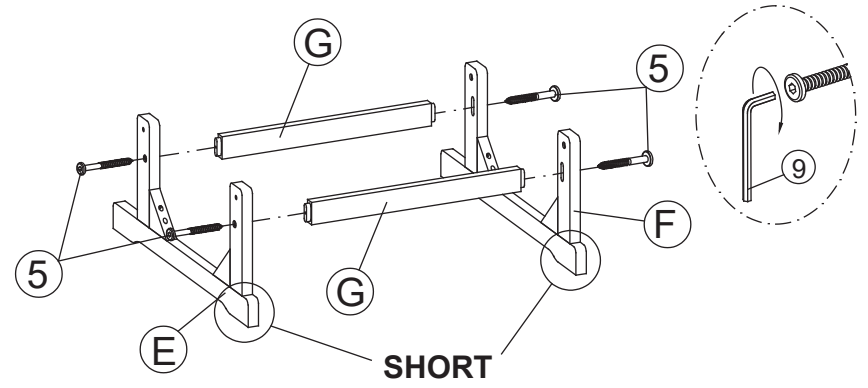
4



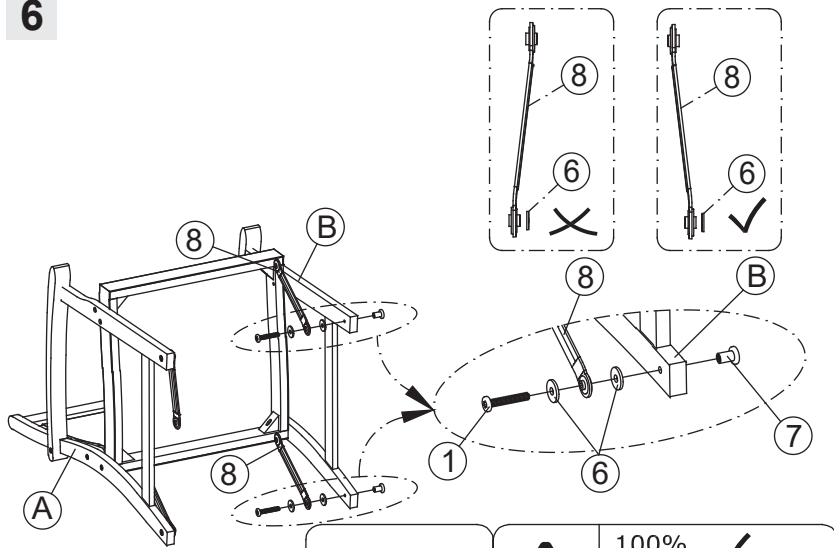
5



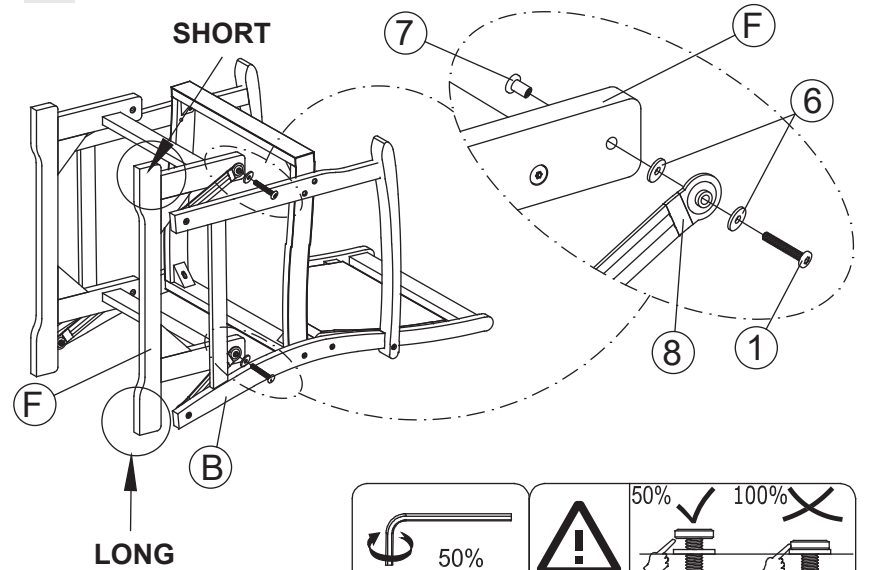
7



6



8



9

10 FINISH

