

USA office: Fontana

AUS office: Truganina

FRA office: Saint Vigor d'Ymonville

GBR office: FDS Corporation Limited, Unit 4, Blackacre Road, Great Blakenham, Ipswich, Ip6 0FL, United Kingdom

Electric Fireplace
Cheminée Électrique
FP10801GB

THIS INSTRUCTION BOOKLET CONTAINS **IMPORTANT** SAFETY INFORMATION.
PLEASE READ AND KEEP FOR FUTURE REFERENCE.

EN



Before You Start

- ⚠ Please read all instructions carefully.
- ⚠ Retain instructions for future reference.
- ⚠ Separate and count all parts and hardware.
- ⚠ Read through each step carefully and follow the proper order.
- ⚠ We recommend that, where possible, all items are assembled near to the area in which they will be placed in use, to avoid moving the product unnecessarily once assembled.
- ⚠ Always place the product on a flat, steady and stable surface.
- ⚠ Keep all small parts and packaging materials for this product away from babies and children as they potentially pose a serious choking hazard.

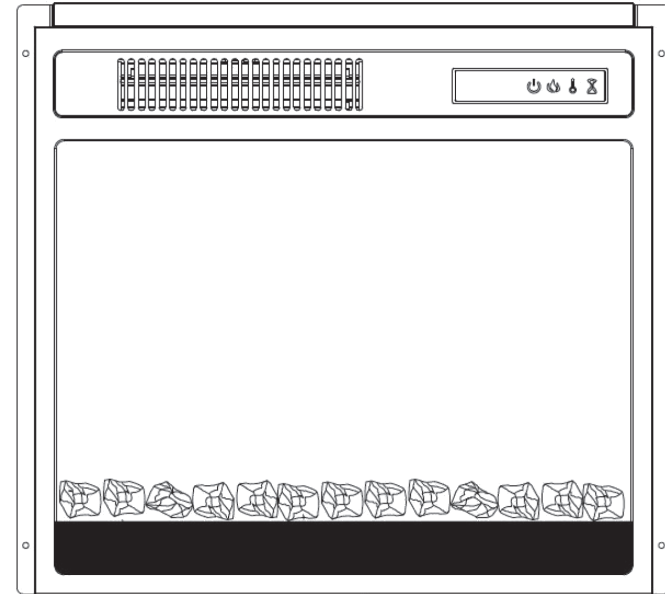
FR



Avant de Commencer

- ⚠ Veuillez lire attentivement toutes les instructions.
- ⚠ Conservez les instructions pour vous y référer ultérieurement.
- ⚠ Vérifiez toutes les pièces et les accessoires.
- ⚠ Lisez attentivement chaque étape et suivez l'ordre correct.
- ⚠ Nous recommandons que, dans la mesure du possible, tous les produits soient assemblés à proximité de la zone où ils seront utilisés, afin d'éviter tout déplacement inutile du produit une fois assemblé.
- ⚠ Placez toujours le produit sur une surface plane et stable.
- ⚠ Conservez toutes les petites pièces de ce produit et les matériaux d'emballage hors de portée des bébés et des enfants, car ils pourraient présenter un risque d'étouffement.

EN



AC 220-240V 50Hz 1500W

⚠ CONSUMER SAFETY INFORMATION

- Read this manual before installing and operating this appliance
- Failure to follow these instructions may result in electric shock, fire property, or personal injury
- Do not store or use gasoline or other flammable liquids in vicinity of this appliance.

IMPORTANT SAFETY INFORMATION!



WARNING



- Read all instructions before using this heater!
- This heater is hot when in use. To avoid burns, DO NOT let bare skin touch hot surfaces. If provided, use handles when moving this heater. Keep combustible materials, such as furniture, pillows, bedding, papers, clothes, and curtains at least 3 feet (0.9m) from the front of the heater, and keep them away from the sides and rear.
- Extreme caution is necessary when any heater is used by or near children or invalids and whenever the heater is left operating and unattended.
- DO NOT operate any heater with a damaged cord or plug or after the heater malfunctions, has been dropped or damaged in any manner, Discard heater, or contact customer service.
- DO NOT run power cord under carpeting. DO NOT cover power cord with throw rugs, runners, or similar coverings. DO NOT route power cord under furniture or appliances. Arrange power cord away from traffic area, and where it will not be tripped over.

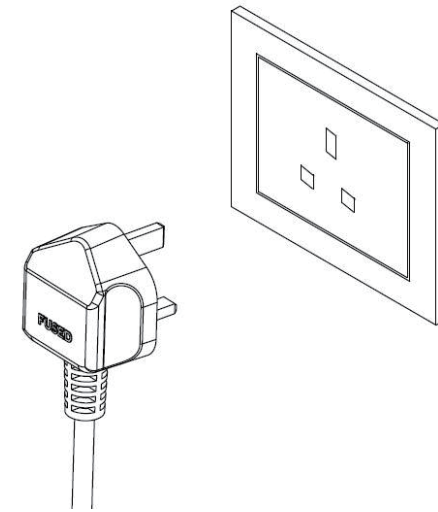


WARNING



- Connect to properly grounded outlets ONLY.
- DO NOT insert or allow foreign objects to enter any ventilation or exhaust openings, as this may cause electric shock or fire, or damage the heater.
- To prevent a possible fire, DO NOT block air intakes or exhaust in any manner. Doing so could cause a fire. DO NOT use on soft surfaces, like a bed, where openings may become blocked.
- A heater has hot and arcing or sparking parts inside. DO NOT use it in areas where gasoline, paint, or flammable liquids are used or stored.
- Use this heater only as described in this manual. Any other use not recommended by the manufacturer may cause fire, electric shock, or injury to persons.
- ALWAYS plug heaters directly into a wall outlet/receptacle. Never use with an extension cord or relocatable power tap (outlet/power strip).
- DO NOT place the heater near a bed because objects such as pillows or blankets can fall off the bed and be ignited by the heater.
- NEVER use this heater in bathrooms, laundry rooms, or any other location where the heater could fall into a bathtub or pool, become damp or come in contact with water.
- AVOID FIRE! Regularly inspect all air vents to make sure they are free from dust, lint, or other
- Blockage. Unplug the unit and clean with a vacuum ONLY. DO NOT rinse or get wet.
- ALWAYS mount to wall bracket before use. DO NOT set on the floor, or other surface, to use.
- NEVER use a wall mount bracket from another manufacturer.

- This product is not intended to be a primary heat source. It is for supplemental heat only.
 - INDOOR use only! NEVER use this heater outdoors! Doing so may result in electric shock!
 - Risk of electric shock! DO NOT OPEN! No user-serviceable parts inside!
 - ALWAYS turn this heater off before unplugging it from the outlet.
 - ALWAYS disconnect this unit from the power supply before performing any assembly or cleaning, or before relocating the electric fireplace.
 - NEVER leave this heater unattended. ALWAYS unplug this heater when not in use.
 - ALWAYS store this heater in a dry location. NEVER use the fireplace if it has become wet.
 - NEVER plug this heater into an outlet that is old, cracked, or has any loose wires or connections. Plugging this heater into a faulty outlet could result in electric arcing within the outlet that could cause the outlet to overheat or catch fire.
 - ALWAYS check your heater cord and plug connections with each use!
- MAKE SURE the plug fits tight in the outlet! Faulty wall outlet connections or loose plugs can cause the outlet to overheat.
 - Heaters draw more current than small appliances. Overheating may occur even if it has not occurred with the use of other appliances.
 - During use check frequently to see if the plug outlet or face plate is HOT!
 - If the outlet or face plate is HOT, discontinue use immediately and have a qualified electrician inspect and/or replace the faulty outlets.



- The power cord supplied with the heater has a plug with two flat blades (live and neutral) and one round pin (ground). If a 3-slot receptacle is not available, an adapter MUST be used. The adapter MUST be properly grounded to the outlet box (see figure at right).(Note: Adapter NOT INCLUDED.)
 - This product belong to CLASS I electric appliance, MUST use reliable grounding. Do not change the power cord to avoid accidents. After use, please unplug the power cord.
- SAVE THESE INSTRUCTIONS!

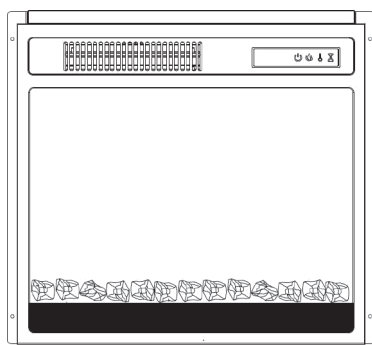
PREPARATION



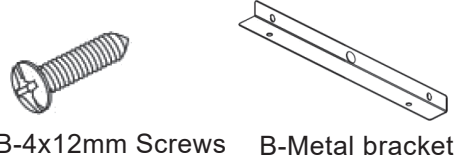
This product includes a GLASS panel! Always use extreme caution when handling glass. Failure to do so could result in personal injury or property damage.

Remove all parts and hardware from the carton and place them on a clean, soft, dry surface. Parts and assembly steps are grounded for wall-hanging or recessing use. Check the parts list to make sure nothing is missing. Dispose of packaging materials properly. Please recycle whenever possible. You will need the following tools (not included): Phillips screwdriver; stud finder; level; tape measure; electric drill; 1/4" wood drill bit, hammer.

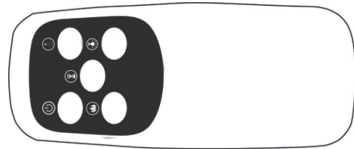
PARTS & HARDWARE



A-Fireplace

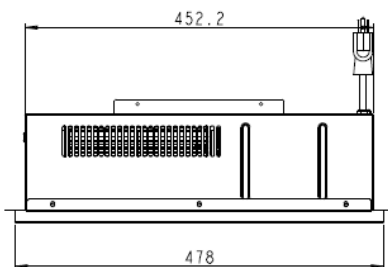
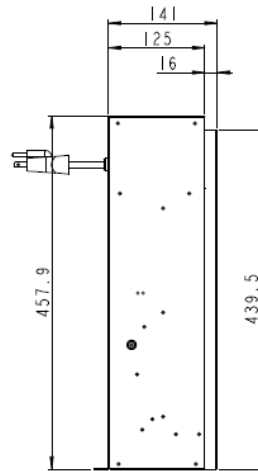
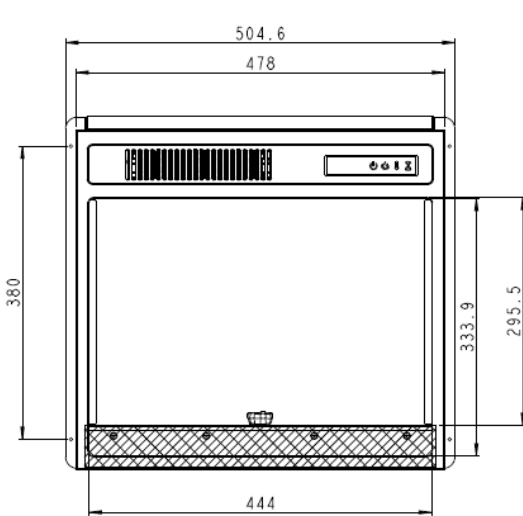


B-4x12mm Screws B-Metal bracket



Remote control

Specification and Dimension



RECESSED TO MANTEL INSTALLATION

PREPARATIO

Step 1. Remove the back panel's two silver screws out of appliance, please see Fig.1

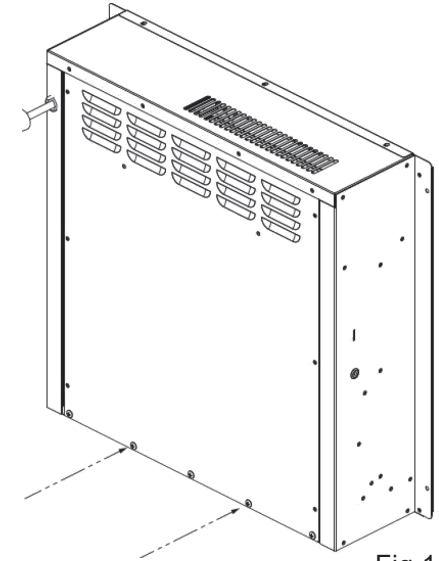


Fig.1

Step 2. Fasten the metal bracket (B) at the bottom of back panel with two silver screws. See Fig.2

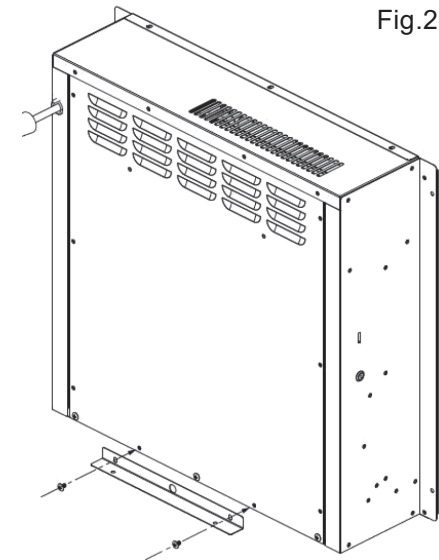


Fig.2

STEP 3. Put the appliance into mantel, See Fig.3

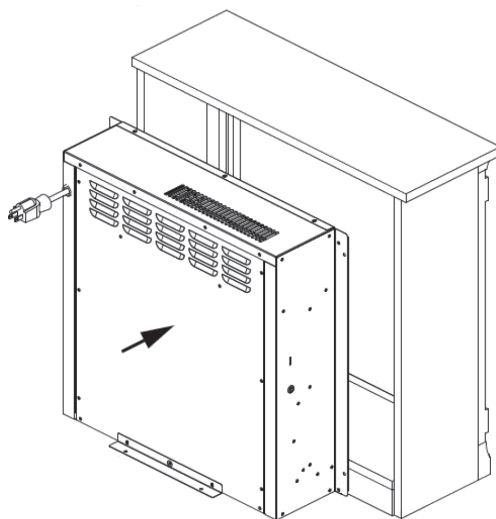


Fig.3

STEP 4. Fasten the appliance on mantel with two pcs of 4x12mm screws (B), see Fig.4

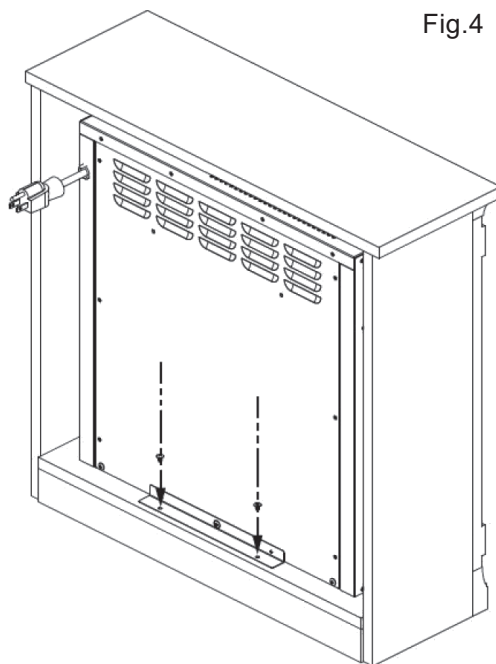


Fig.4

WARNING



Read and understand this entire owner's manual, including all safety information, before plugging in or using this product. Failure to do so could result in electric shock, fire, serious injury, or death.

Power

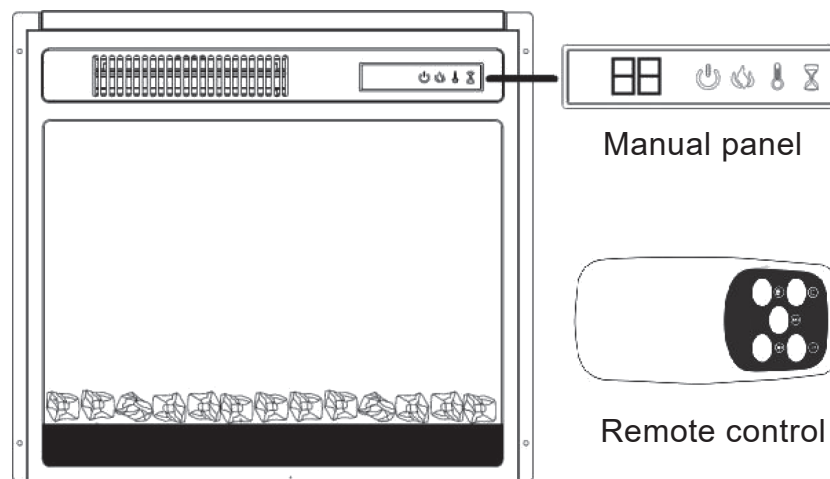
Plug the power cord into a 220-240V Volt 7.5 Amp grounded outlet (see IMPORTANT SAFETY INFORMATION on Pages 2 and 3). Make sure the outlet is in good condition and that the plug is not loose. NEVER exceed the maximum amperage for the circuit. DO NOT plug other appliances into the same circuit.

Methods of Operation



This electric fireplace can be operated by the MANUAL PANEL, located on the TOP right side metal panel of the fireplace, or by the battery-powered REMOTE CONTROL.




The operation and functions of the two methods are the same.

Before operating, please review the IMPORTANT SAFETY INFORMATION on Pages 2 and 3, and heed all warnings.



Manual panel/Remote control Operation

BUTTON	FUNCTION	ACTION&INDICATION
 POWER	<p>ON: Enables control panel functions and remote control. Turn on flame effect.</p> <p>OFF: Disables control panel functions and remote control. Turn off flame effect.</p>	<p>1. Press once. Indicator light turns on. Power turns on. All functions enabled.</p> <p>2. Press again. Until desired setting is reached.</p>
 FLAME	<p>FLAME button: Makes flame effect dimmer and brighter.</p> <p>NOTE: Flame effect stays on until power button is turned off.</p> <p>Flame effect must be on for heater to turn on.</p>	<p>1. Press once. Flame brightness effect gets changing.</p> <p>2. Press again. Until desired setting is reached.</p> <p>3. Hold this button for 3 seconds, it can change flame color, Orange, Blue, Combination.</p>

 HEATER	<p>HEATER button: Turn heater on and off.</p> <p>NOTE: To prevent overheating, the heater fan will blow out cool air for 20 seconds after the heater turn off.</p> <p>TEMPERATURE control: Control temperature settings to choose temperature as desired. Setting range from 18 °C to 82 °C.</p>	<p>1. Press once. Indicator light turn on, and show 00.</p> <p>1. Press second. Indicator lights up. 750W heater turns on and blows warm air.</p> <p>2. Press third time. Indicator lights up. 1500W heaters turns on and blows hot air.</p> <p>Then press again, control temperature .until desired setting is reached. LED display show setting.</p>
 TIMER	<p>TIMER button: Control timer settings to turn off fireplace at selected time.</p> <p>Settings range from 0H, 30S, 1 hours to 9 hours.</p>	<p>1. Press once. Indicator light turn on. Temperature is set to hours.</p> <p>Press again until desired setting is reached. LED display show setting.</p>
 COLOR	<p>COLOR button: Makes the color flame effect changing.</p> <p>This button at remote control</p>	<p>1. Press once. Flame color effect gets changing.</p> <p>2. Press again until desired setting is reached.</p>

NOTICE

When the heater is first turned on, a slight odor may be present. This is normal and should not occur again unless the heater is not used for a long period of time.

NOTICE

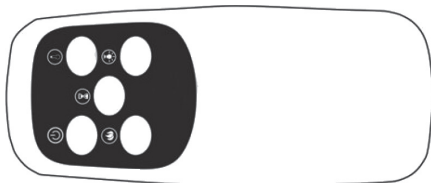
To improve operation, aim the remote control at the front of the fireplace. DO NOT press the buttons too quickly. Give the unit time to respond to each command.

Temperature Limiting Control

This heater is equipped with a Temperature Limiting Control. Should the heater reach an unsafe temperature, the heater will automatically turn OFF. To reset:

1. Unplug the power cord from the outlet.
2. Turn the ON/OFF switch on the CONTROL PANEL to OFF. Wait 5 minutes.
3. Inspect the fireplace to make sure no vents are blocked, or clogged with dust or lint. If they are, use a vacuum to clean the vent areas.
4. With the POWER switch in the OFF position, plug the power cord back into the outlet.
5. If the problem continues, have your outlet and wiring inspected by a professional.

Remote Control Battery Information



Warning: Remote control requires two AAA batteries
NOTE: Remote control battery used depends on the remote control type which selected above.



NEVER dispose of batteries in fire. Failure to observe this precaution may result in an explosion.
Dispose of batteries at your local hazardous material processing center.

CARE AND MAINTENANCE

Cleaning



ALWAYS turn the heater OFF and unplug the power cord from the outlet before cleaning, performing maintenance, or moving this fireplace. Failure to do so could result in electric shock, fire, or personal injury.



NEVER immerse in water or spray with water. Doing so could result in electric shock, fire, or personal injury.

Metal:

- Buff using a soft cloth, slightly dampened with a citrus oil-based product.
- DO NOT use brass polish or household cleaners as these products will damage the metal trim.

Glass:

- Use a good quality glass cleaner and dry thoroughly with a paper towel or lint-free cloth.
- NEVER use abrasive cleansers, liquid sprays, or any cleaner that could scratch the surface.

Vents:

- Use a vacuum or duster to remove dust and dirt from the heater and vent areas.
- Clean the exterior of the fireplace with a slightly damp cloth or duster.

Maintenance



Risk of electric shock! DO NOT OPEN! No user-serviceable parts inside!



ALWAYS turn the heater OFF and unplug the power cord from the outlet before cleaning, performing maintenance, or moving this fireplace. Failure to do so could result in electric shock, fire, or personal injury.

Electrical and Moving Parts:

- The fan motors are lubricated at the factory and will not require lubrication.
- Electrical components are integrated in the fireplace and are not serviceable by the consumer.

Storage:

- Store heater in a clean dry place when not in use.



WARNING! No other servicing should be performed by the consumer. Do not attempt to service the unit yourself.

Troubleshooting



WARNING

DISCONNECTED THE APPLIANCE COMPLETELY AND LET COOL PRIOR TO ANY SERVICE.
ONLY A QUALIFIED SERVICE PERSON SHOULD SERVICE AND REPAIR THIS ELECTRIC APPLIANCE.

Problem	Possible Cause	Solution
1.Fireplace turns off and will not turn on.	1.Fireplace has overheated and safety device has caused thermal switch to disconnect or home circuit breaker has opened.	1.Reset switch by turning main power off and waiting turning it back on or breaker circuit breaker.
2.Flame is not moving.	1.Loose wiring. 2.Flame motor defective. Flame rod out of place	1.Inspect wiring for loose connections. 2.Call a qualified service technician to replace flame motor. 3.“Flame Rod” out of place due to rough transit/handing of the product. This issue can be corrected as simple as removing the glass, flipping the fireplace upside and down, removing a set of screws that are holding the bottom frame plate and placing the flame rod back into place.

Problem	Possible Cause	Solution
3.Flame is not visible.	1.Wiring is loose	1.Disconnect from power source and inspect wiring for loose connections and repair or replace if necessary. 2.Push the flame button to high
4.Log set and /or is not glowing.	1.Wiring is loose 2.Ember is off mode	Disconnect from power source and inspect wiring for loose connections and repair or replace if necessary.
5.Remote control does not work.	1.Low batteries. 2.Not aiming control correctly. 3.Defective remote control and /or sensor	1.Replace batteries in remote control. 2.Aim control at sensor located directly behind glass screen in center of unit just above logs. Replace remote control and/or sensor.