

Storage Cabinet
JV12886

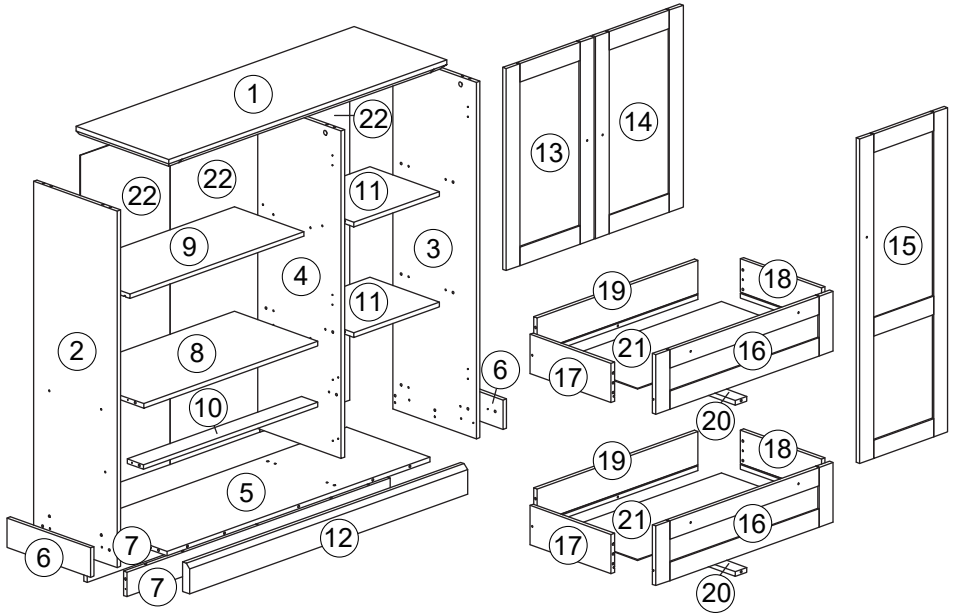
THIS INSTRUCTION BOOKLET CONTAINS **IMPORTANT** SAFETY INFORMATION.
PLEASE READ AND KEEP FOR FUTURE REFERENCE.



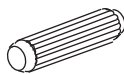
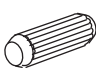




Before You Start

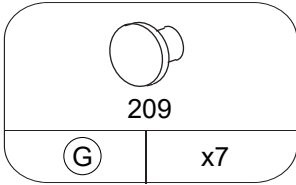
- ⚠ Please read all instructions carefully.
- ⚠ Retain instructions for future reference.
- ⚠ Separate and count all parts and hardware.
- ⚠ Read through each step carefully and follow the proper order.
- ⚠ We recommend that, where possible, all items are assembled near to the area in which they will be placed in use, to avoid moving the product unnecessarily once assembled.
- ⚠ Always place the product on a flat, steady and stable surface.
- ⚠ Keep all small parts and packaging materials for this product away from babies and children as they potentially pose a serious choking hazard.

Parts List

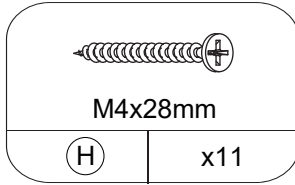


Hardware List

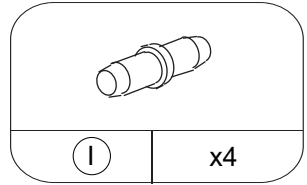
 8x25mm (A) x55 Wood Dowel	 8x20mm (B) x4 Wood Dowel	 15MM (C) x18Sets Bolt & Cap
 M3.5x16mm (D) x53 Screw	 M4x45mm (E) x30 Screw	 M3.5x12mm (F) x12 Screw



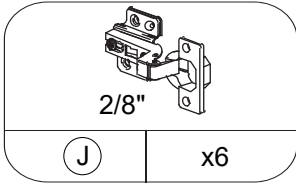
Handle



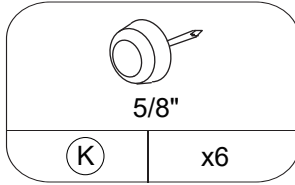
Screw



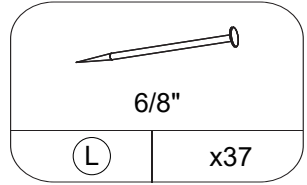
Shelf Support



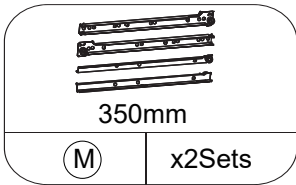
Hinges



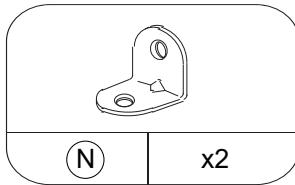
Nail With Pin



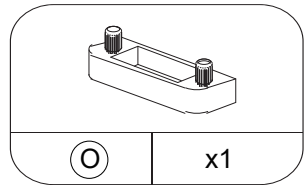
Power Pin



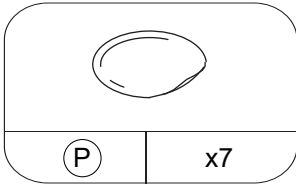
Drawer Slide



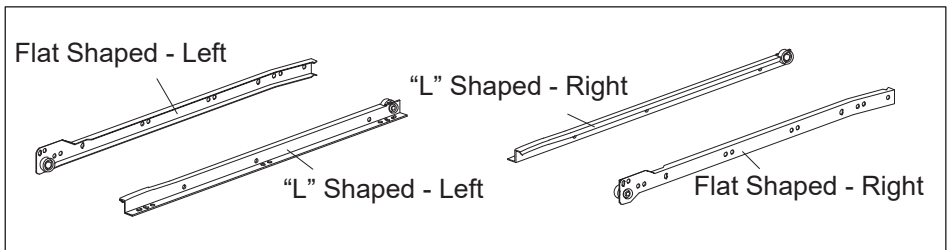
L Bracket with 2 Holes



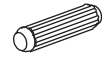
2-Pin Stopper



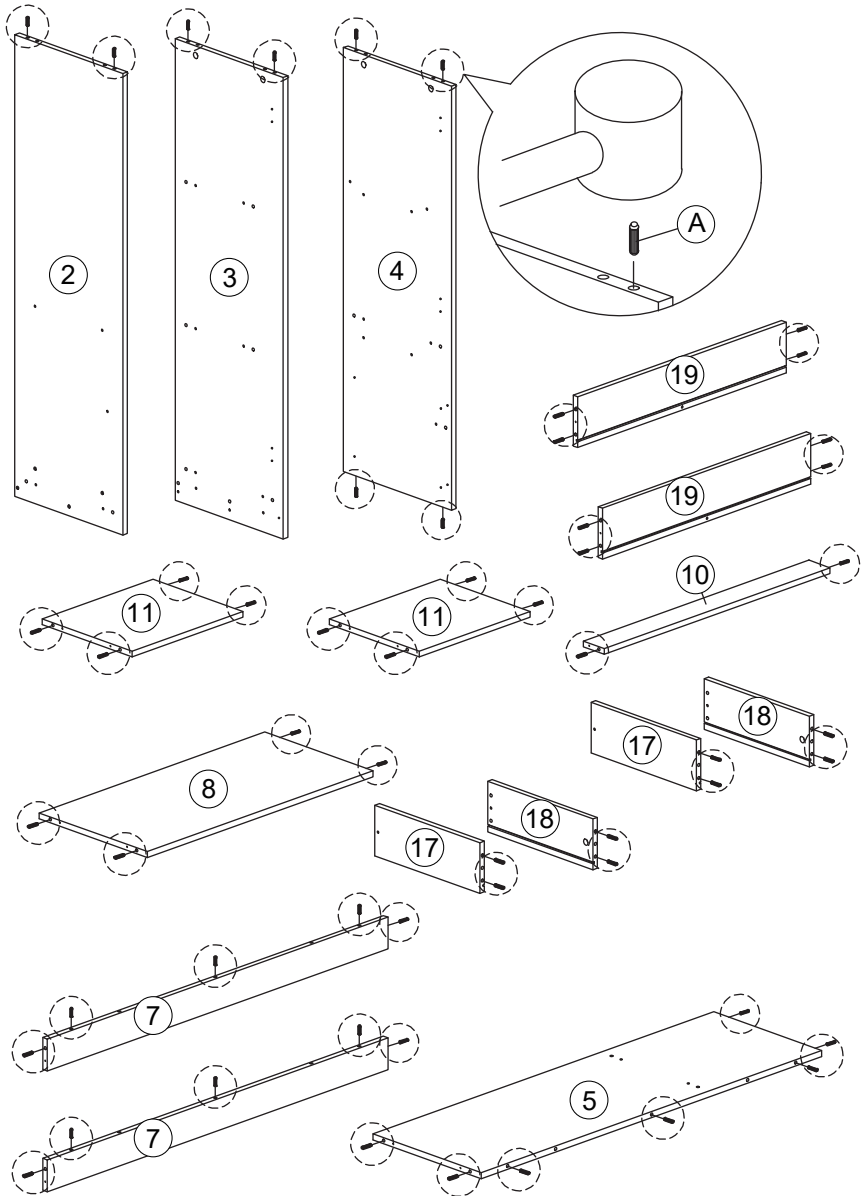
Sticker



1



A x55

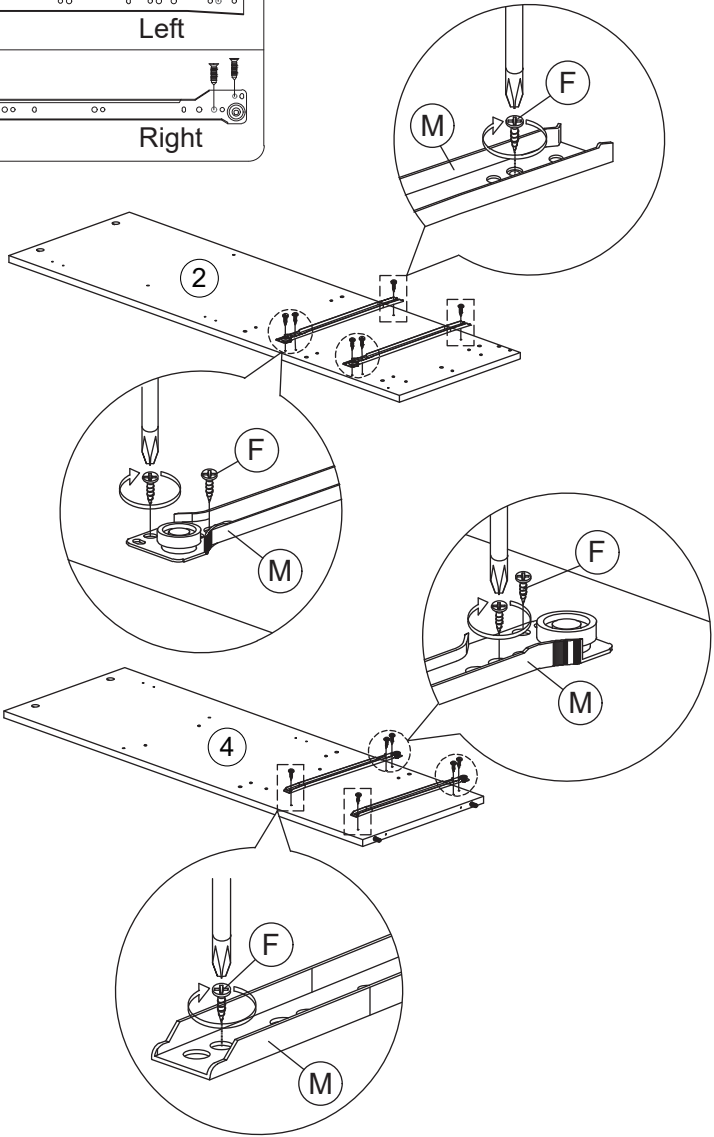
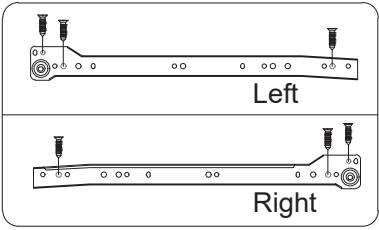


2

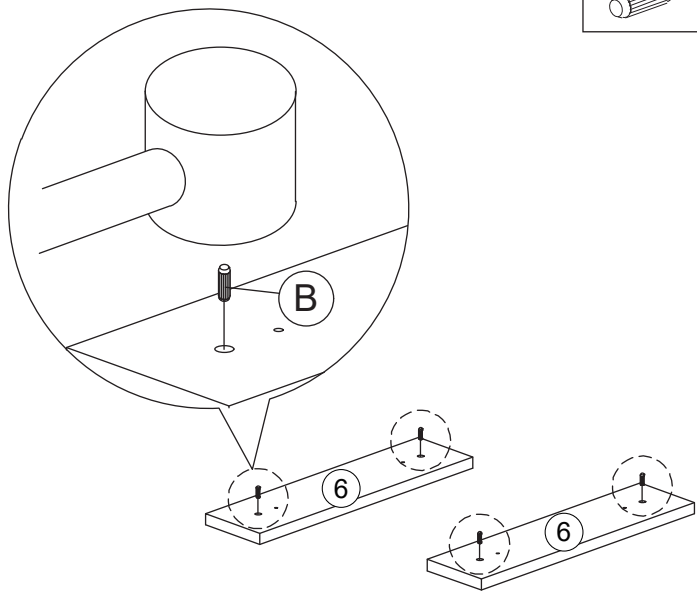
L (M) x2

(F) x12

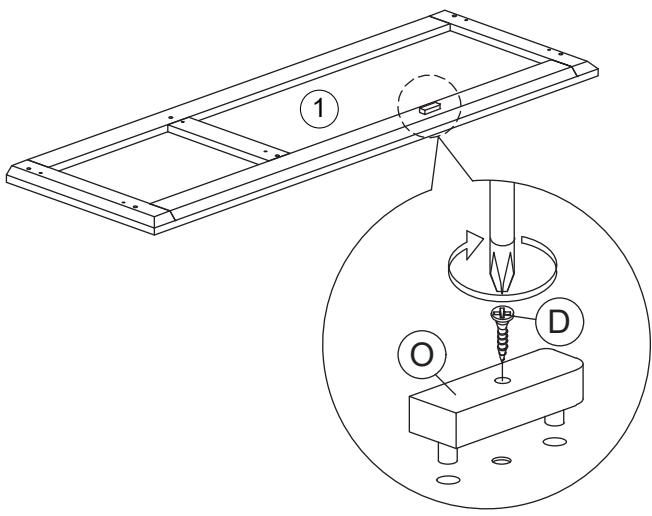
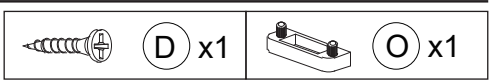
R (M) x2



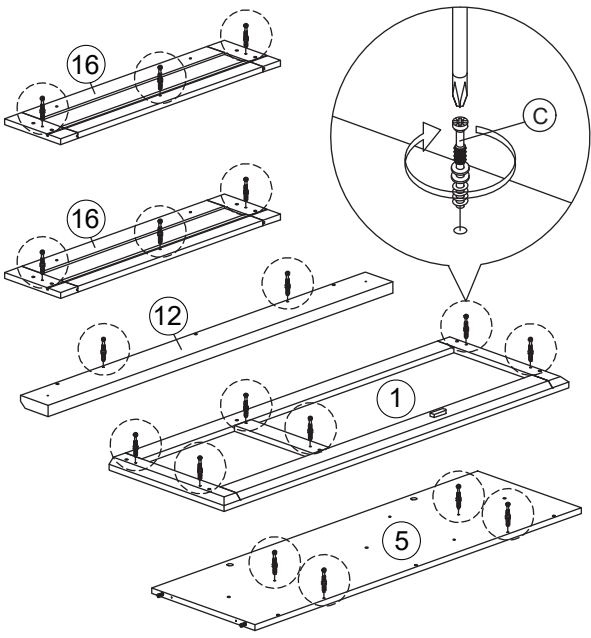
3




4

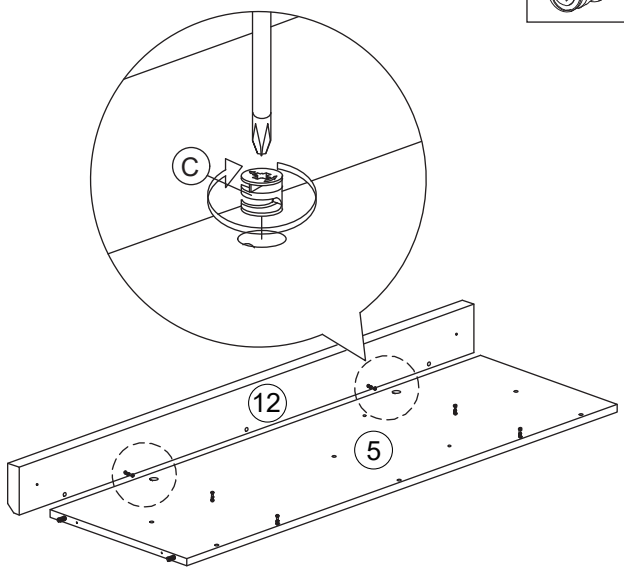


5




 C x18

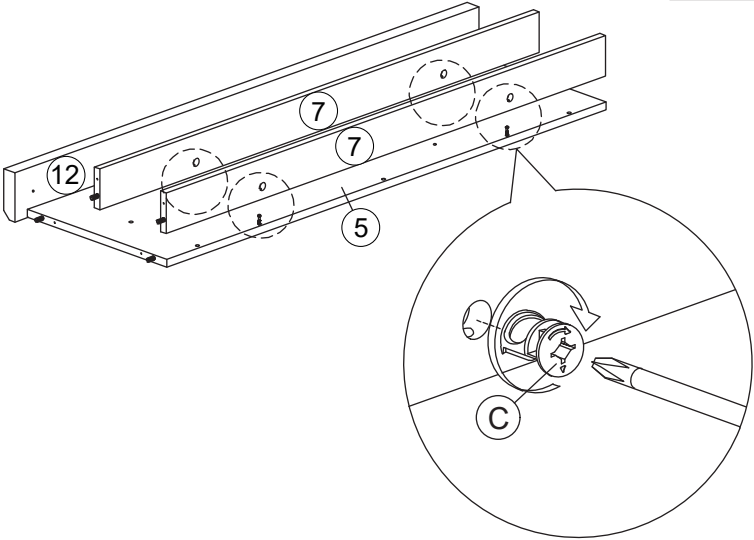
6



 C x2

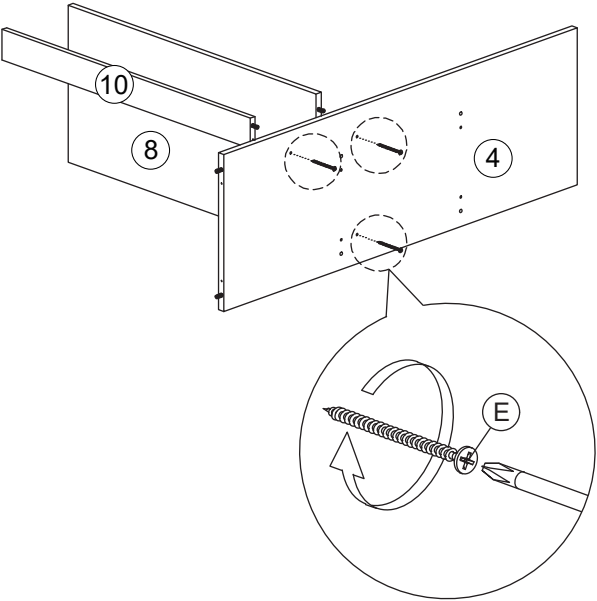
7

 (C) x4

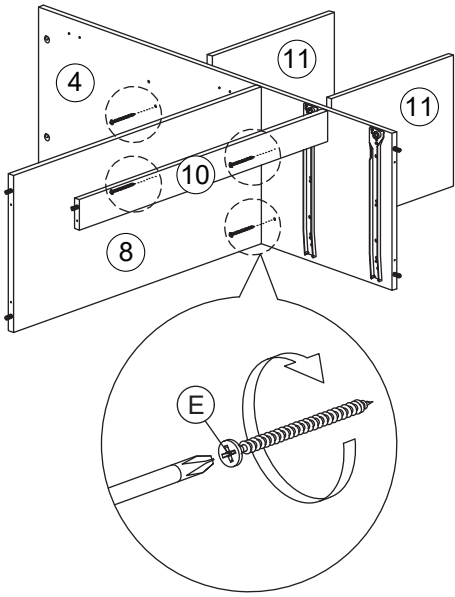


8

 (E) x3

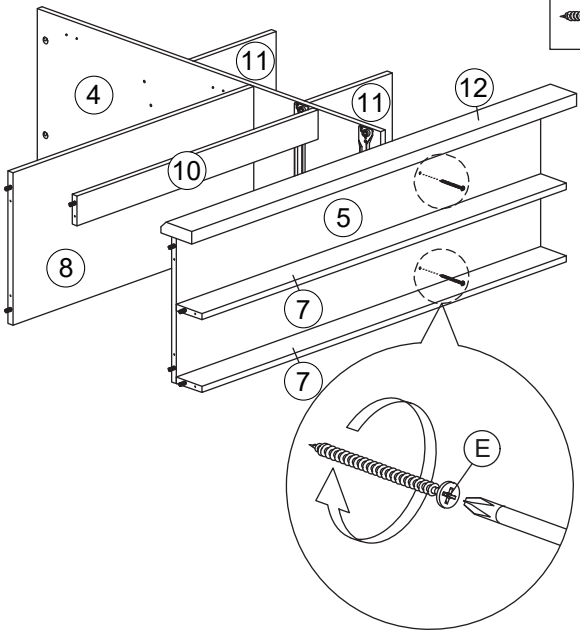


9



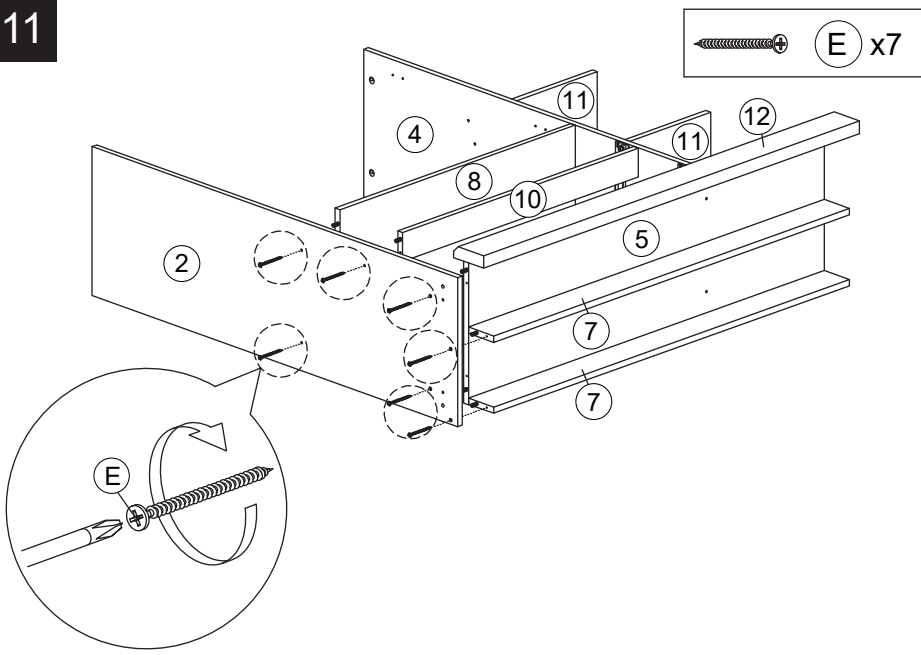
 (E) x4

10

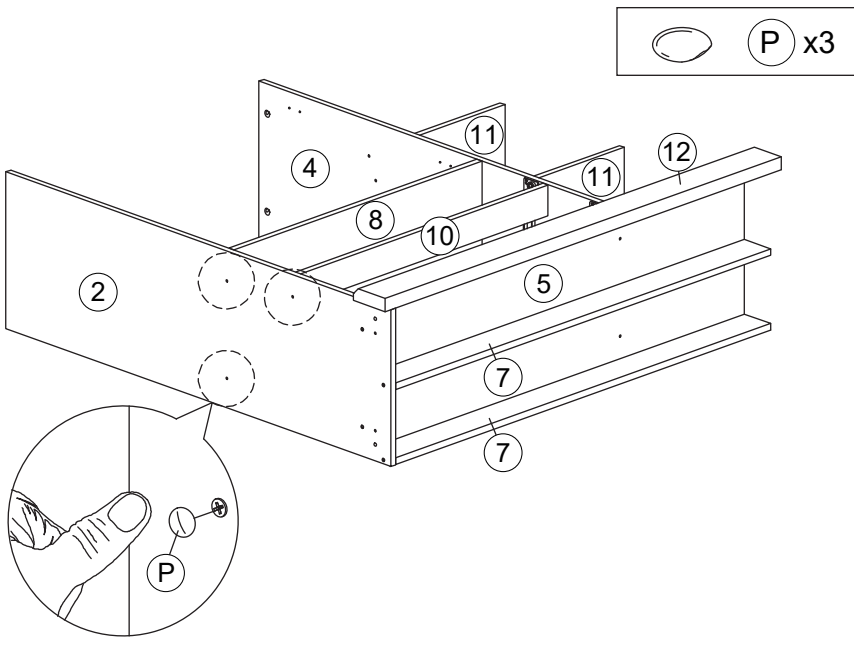


 (E) x2

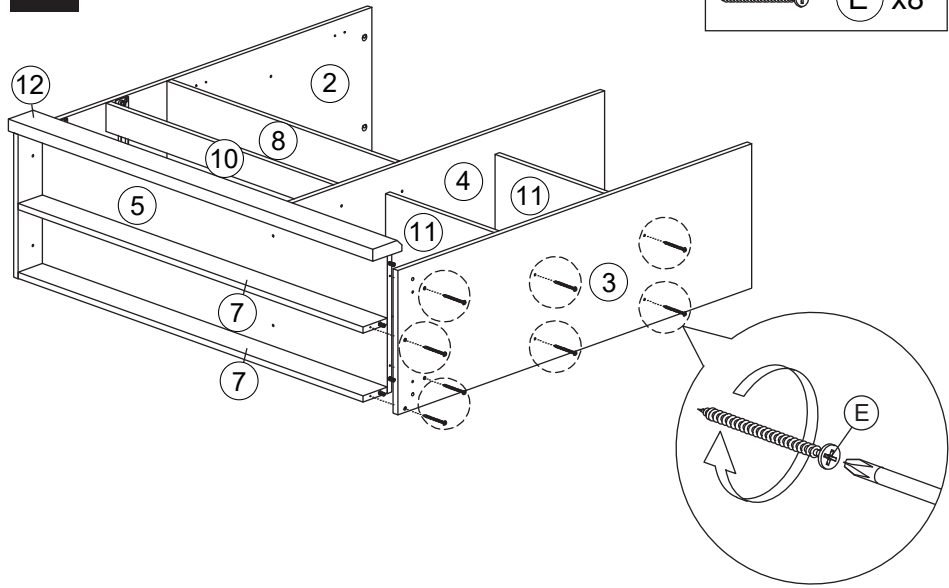
11



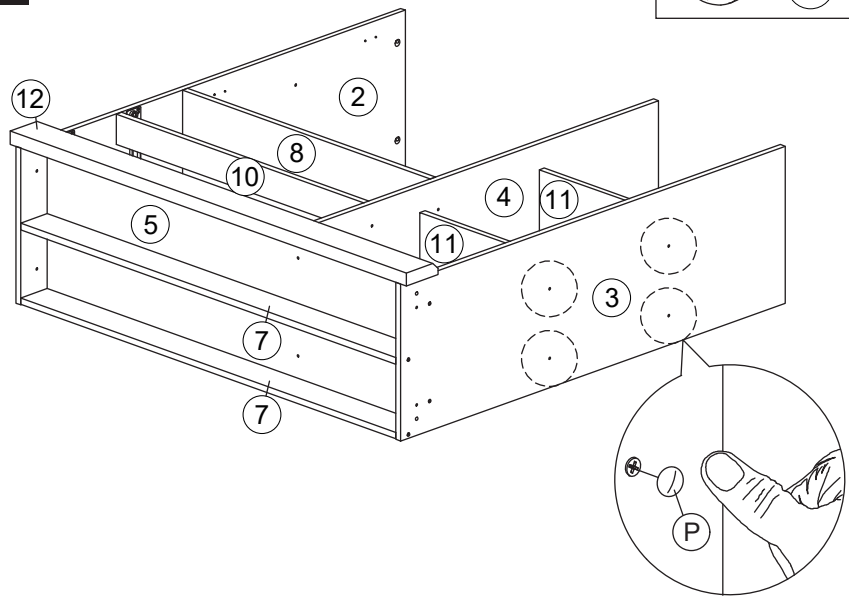
12



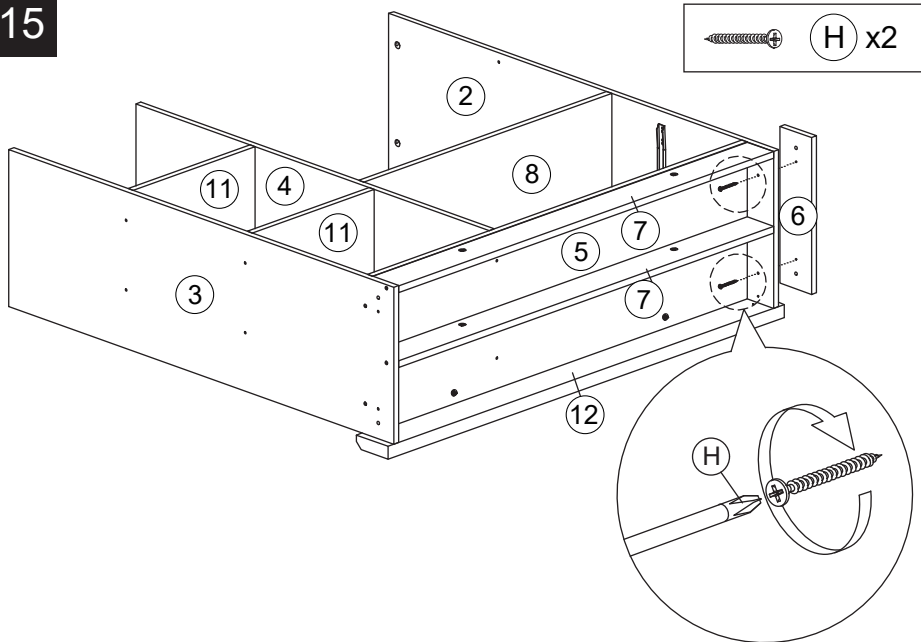
13



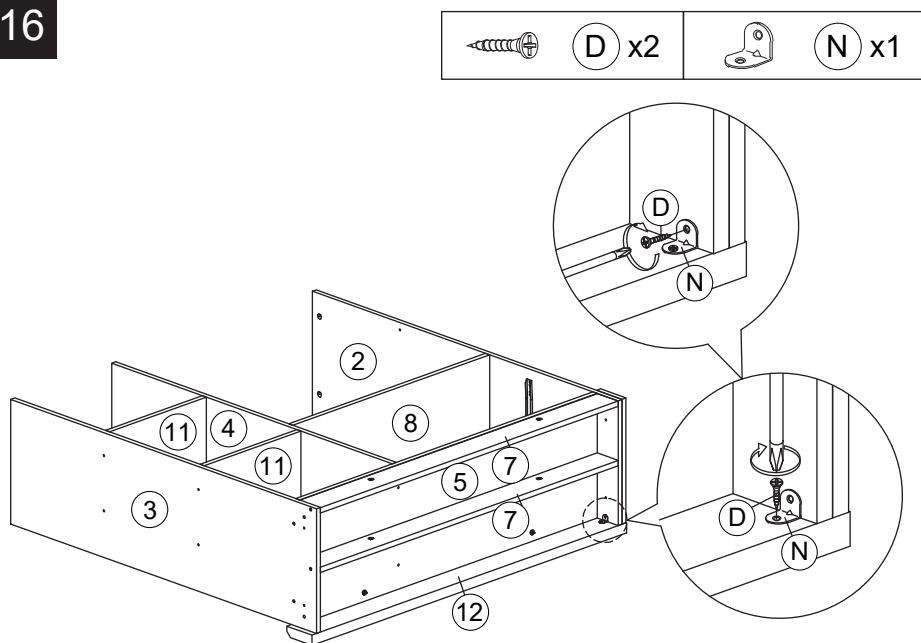
14



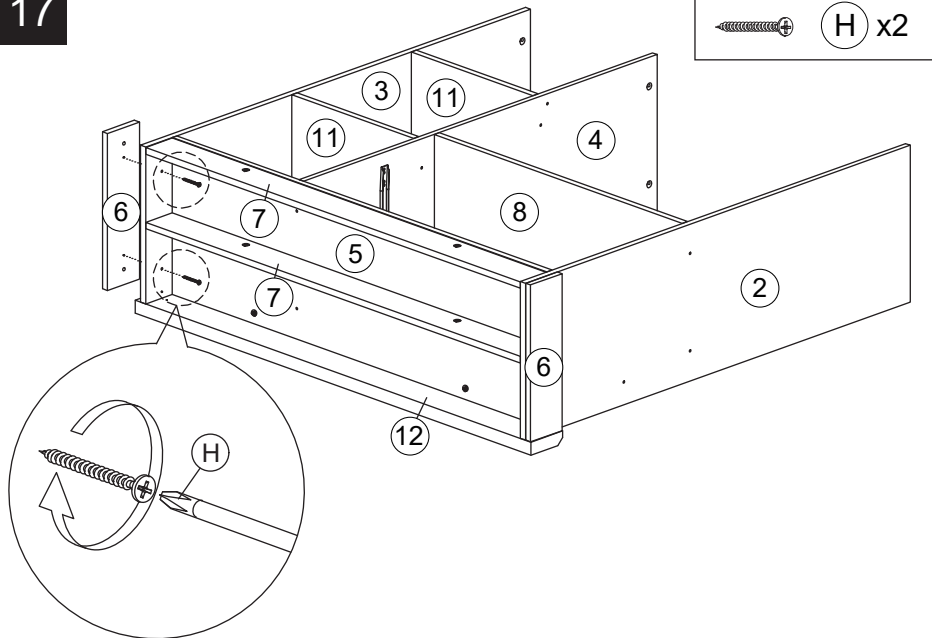
15



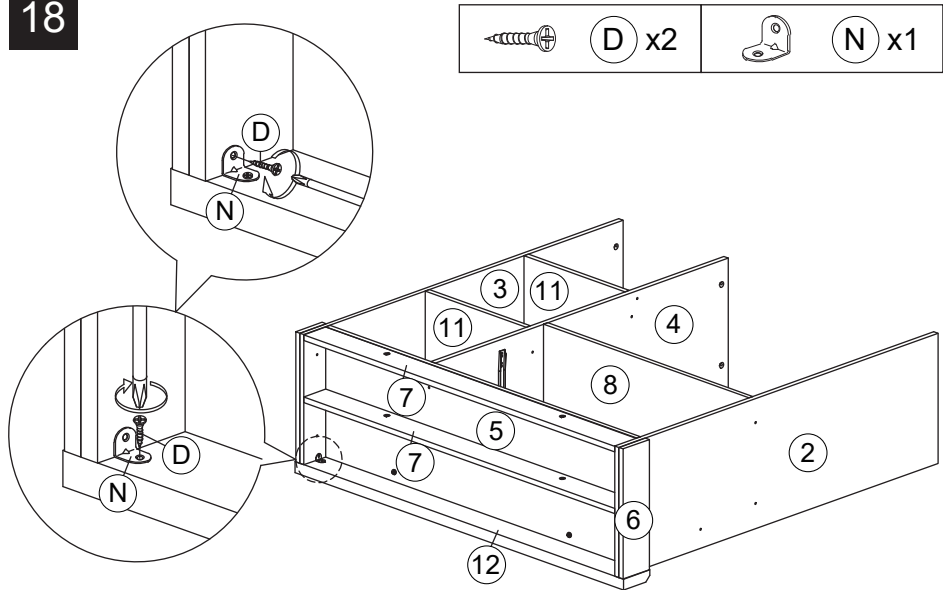
16



17



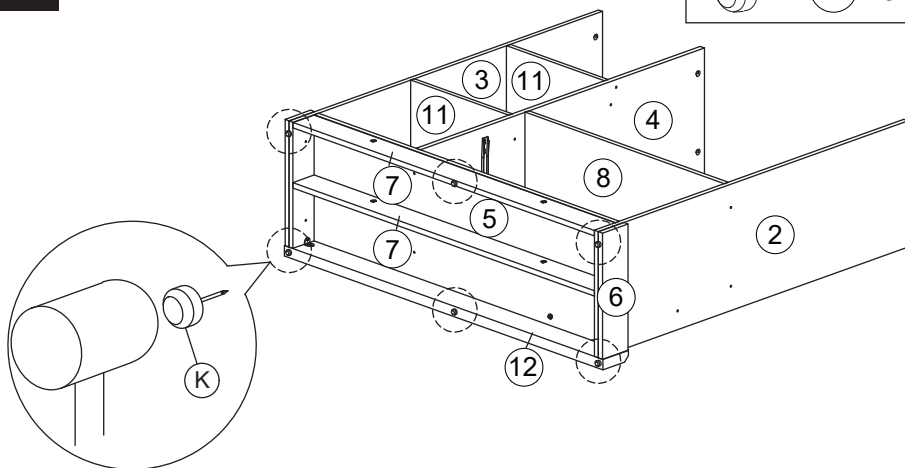
18



19



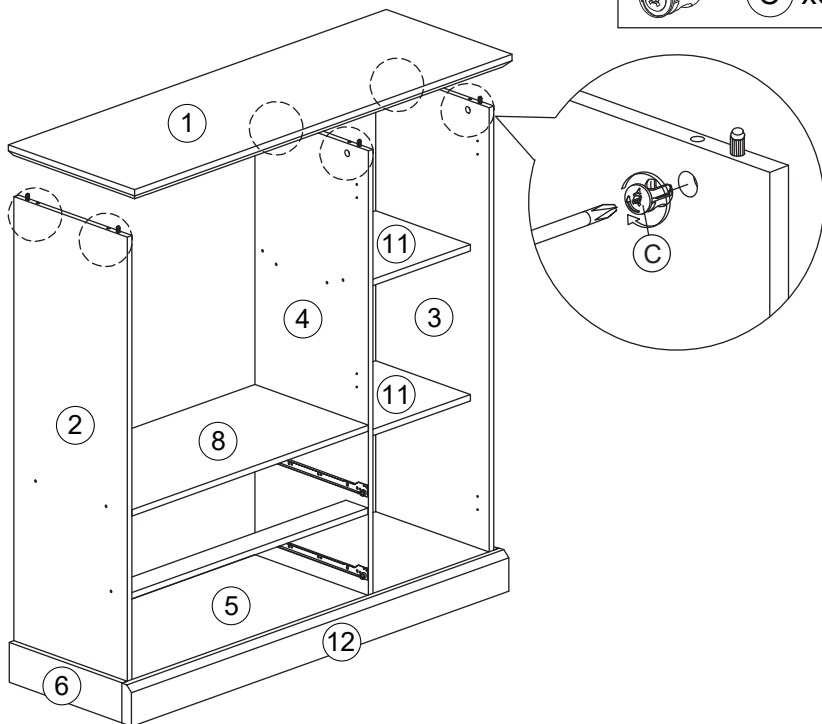
K x6



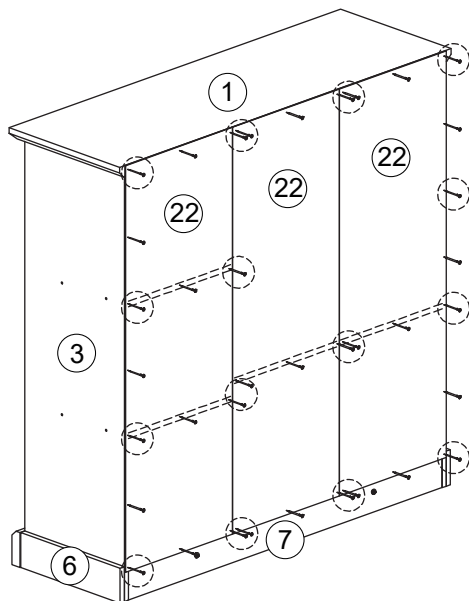
20




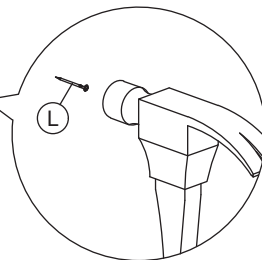
C x6



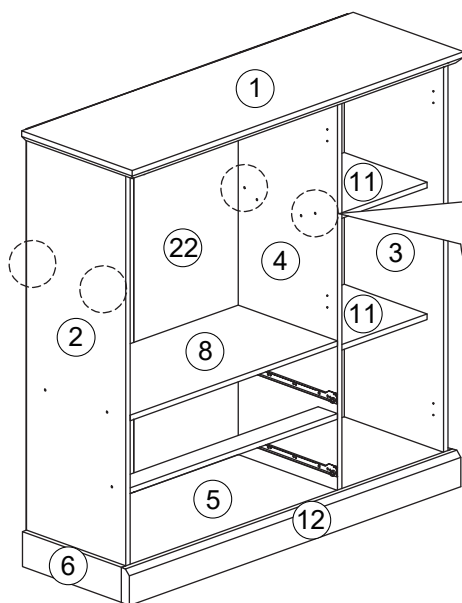
21




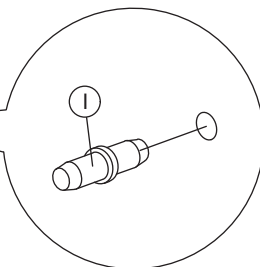
 L x37



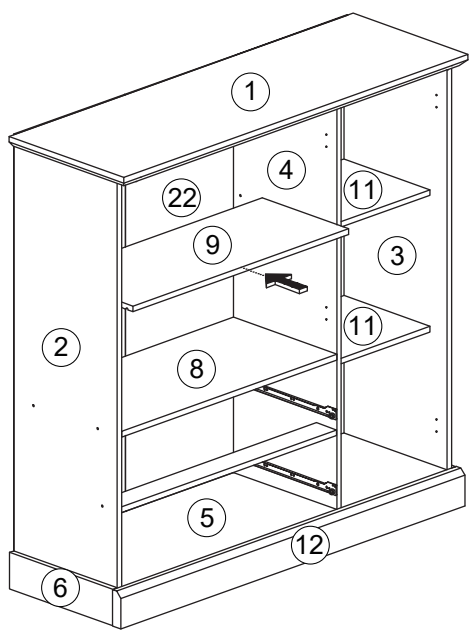
22



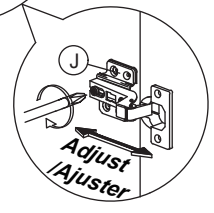
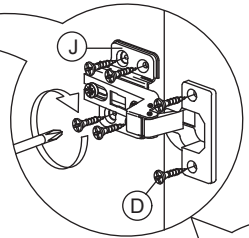
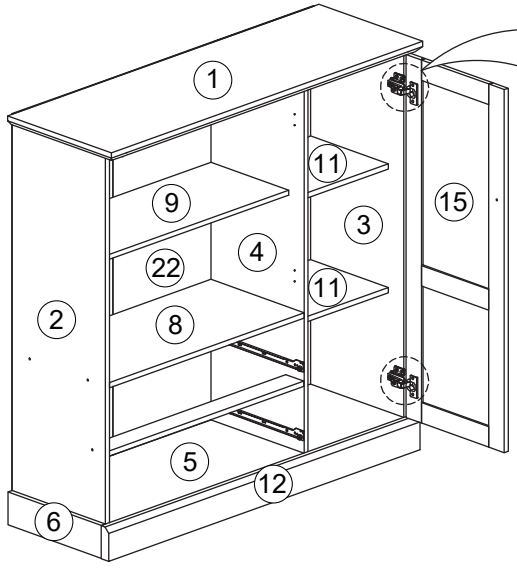
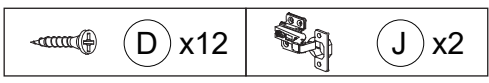
 I x4



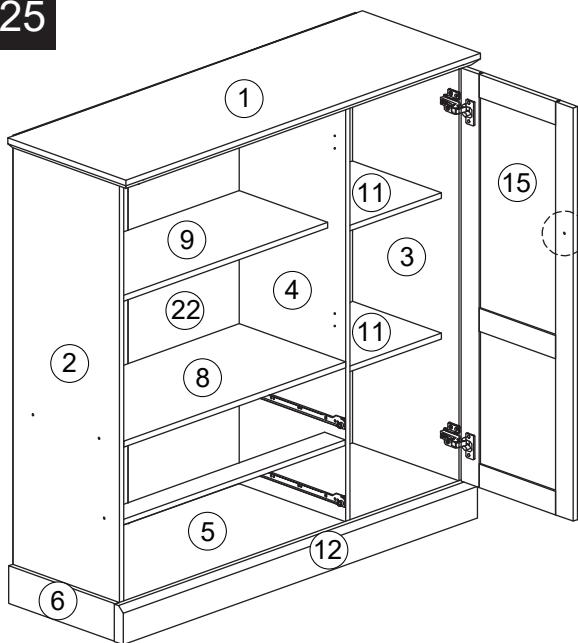
23



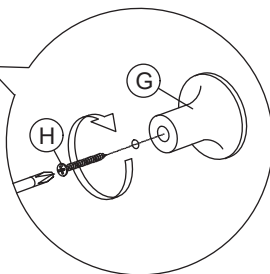
24



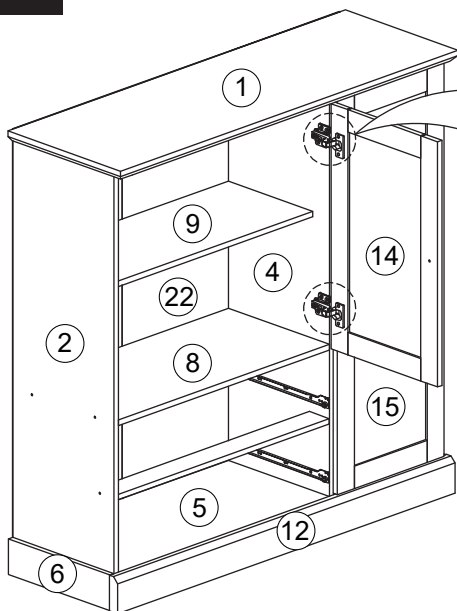
25



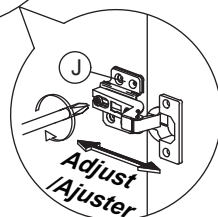
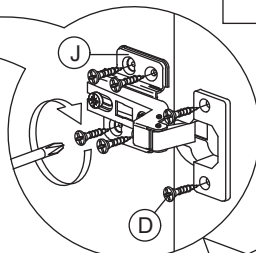
- | | |
|--|------|
| | G x1 |
| | H x1 |



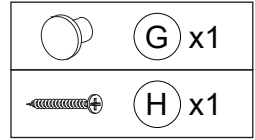
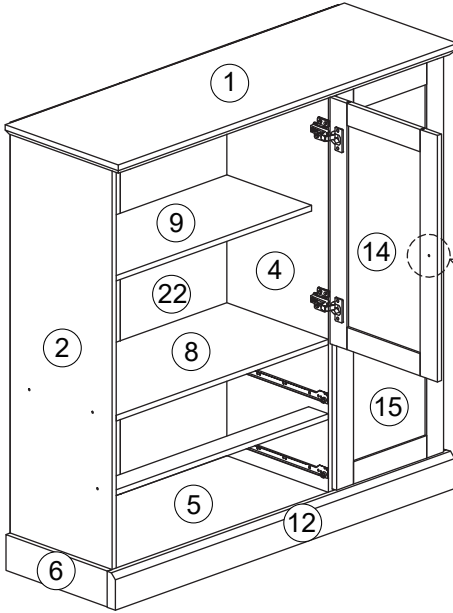
26



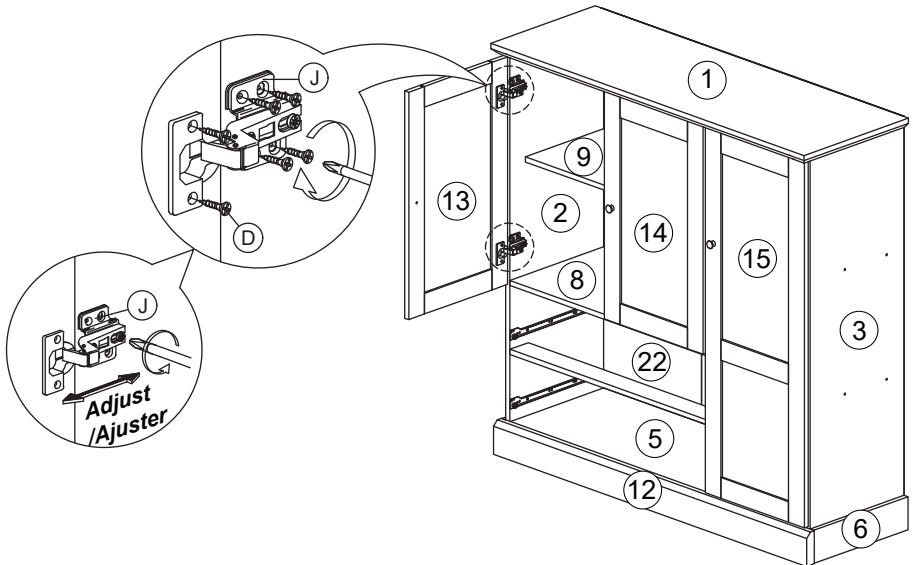
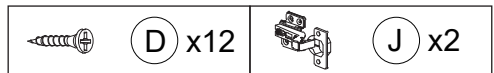
- | | |
|--|-------|
| | D x12 |
| | J x2 |



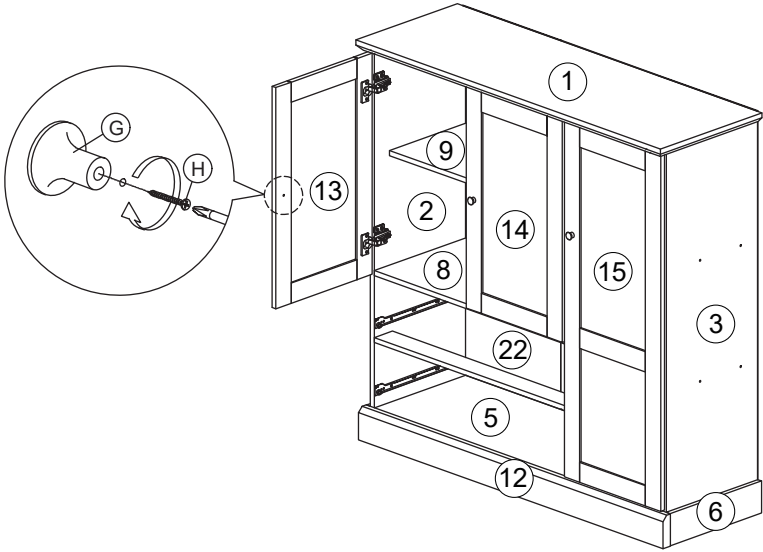
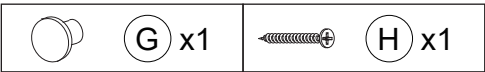
27



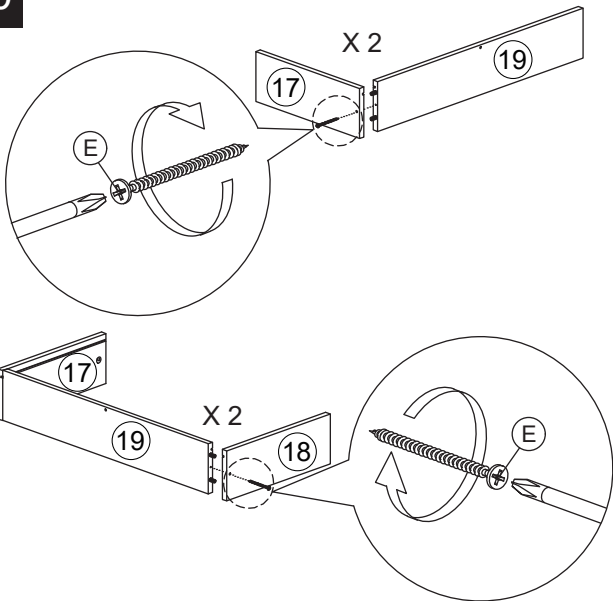
28



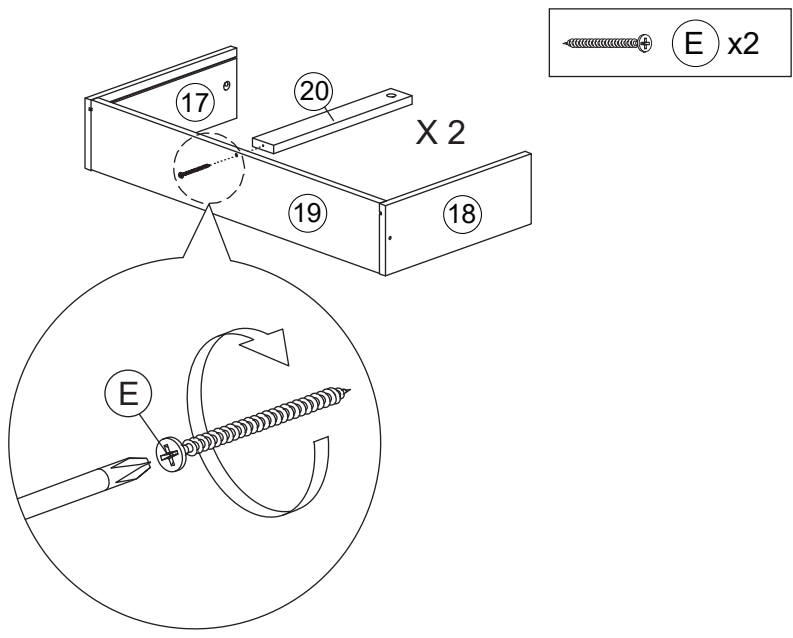
29



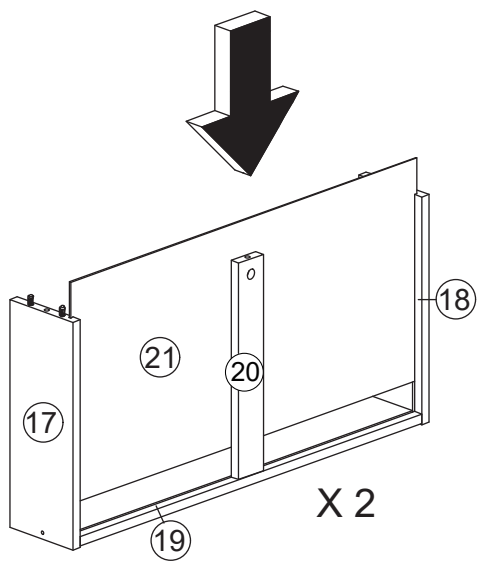
30



31



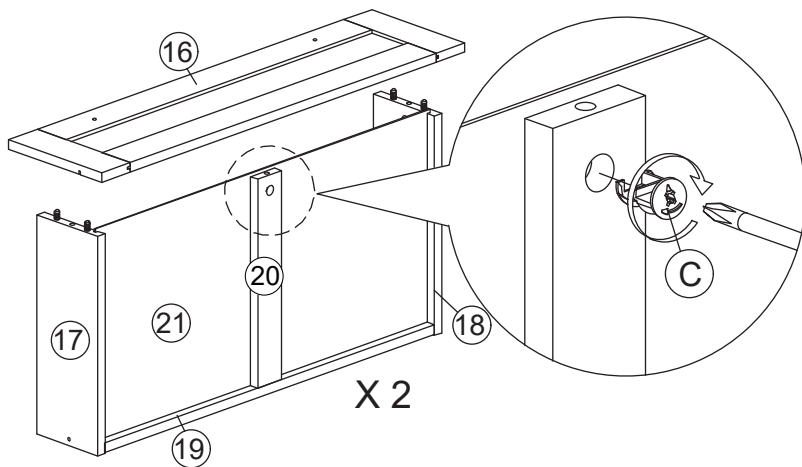
32



33



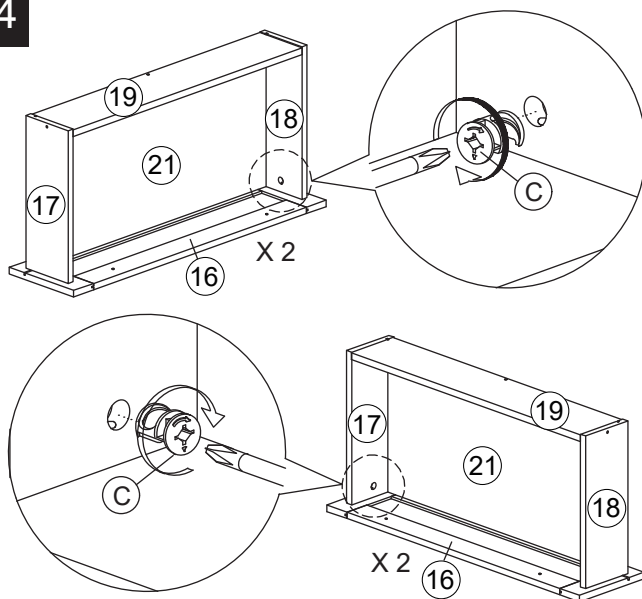
C x2



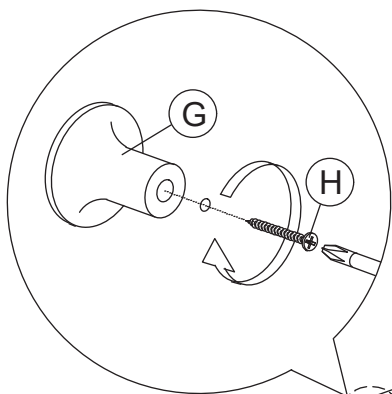
34



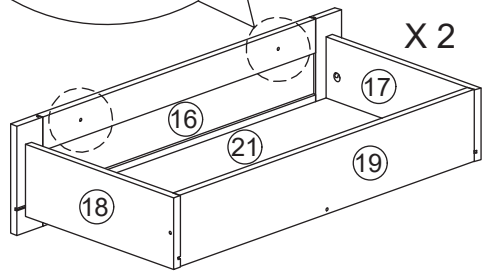
C x4



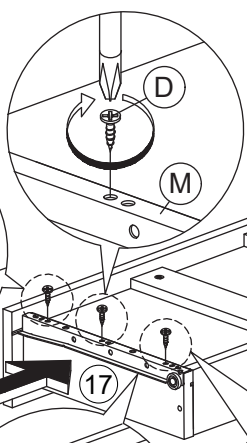
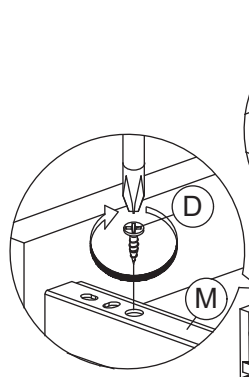
35



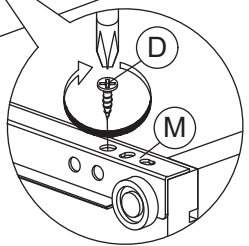
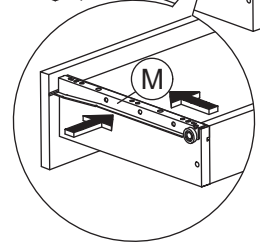
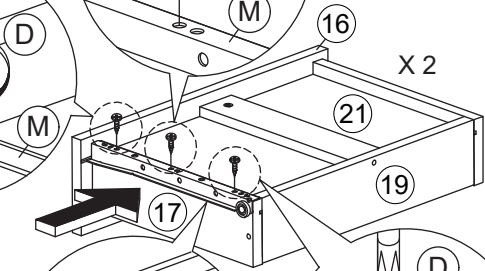
- | | |
|--|------|
| | G x4 |
| | H x4 |



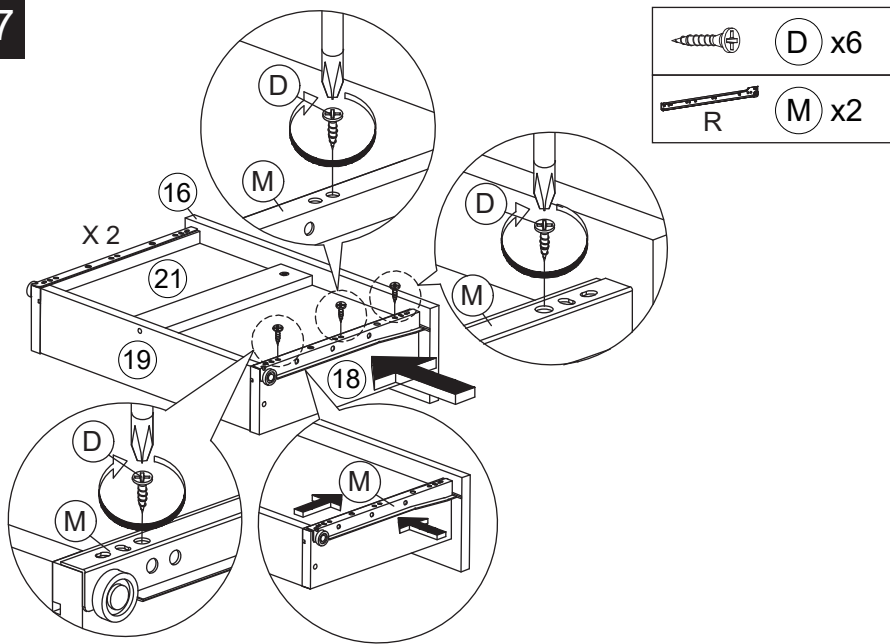
36



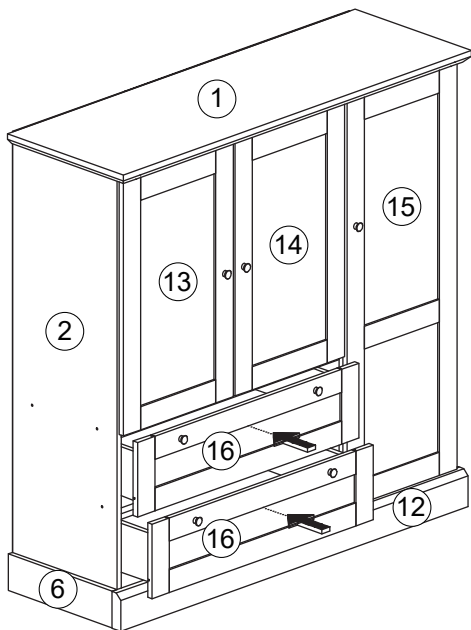
- | | |
|--|------|
| | D x6 |
| | M x2 |




37



38





USA office: Fontana **AUS** office: Truganina
GBR office: FDS Corporation Limited, Unit 4, Blackacre
Road, Great Blakenham, Ipswich, IP6 0FL, United Kingdom