

Kids Play Kitchen Set
TP10328

USA office: Fontana **AUS** office: Truganina
GBR office: FDS Corporation Limited, Unit 4, Blackacre Road, Great Blakenham, Ipswich, Ip6 0FL, United Kingdom

THIS INSTRUCTION BOOKLET CONTAINS **IMPORTANT** SAFETY INFORMATION.
PLEASE READ AND KEEP FOR FUTURE REFERENCE.



Before You Start

Please read all instructions carefully and keep it for future reference.

General Security Warning

Caution: Children should use this product under the parental supervision.

Danger: Keep all small parts and packaging materials for this product away from babies and children, otherwise they may pose a choking hazard.

Danger: Lack of attachment may cause a risk of tipping.

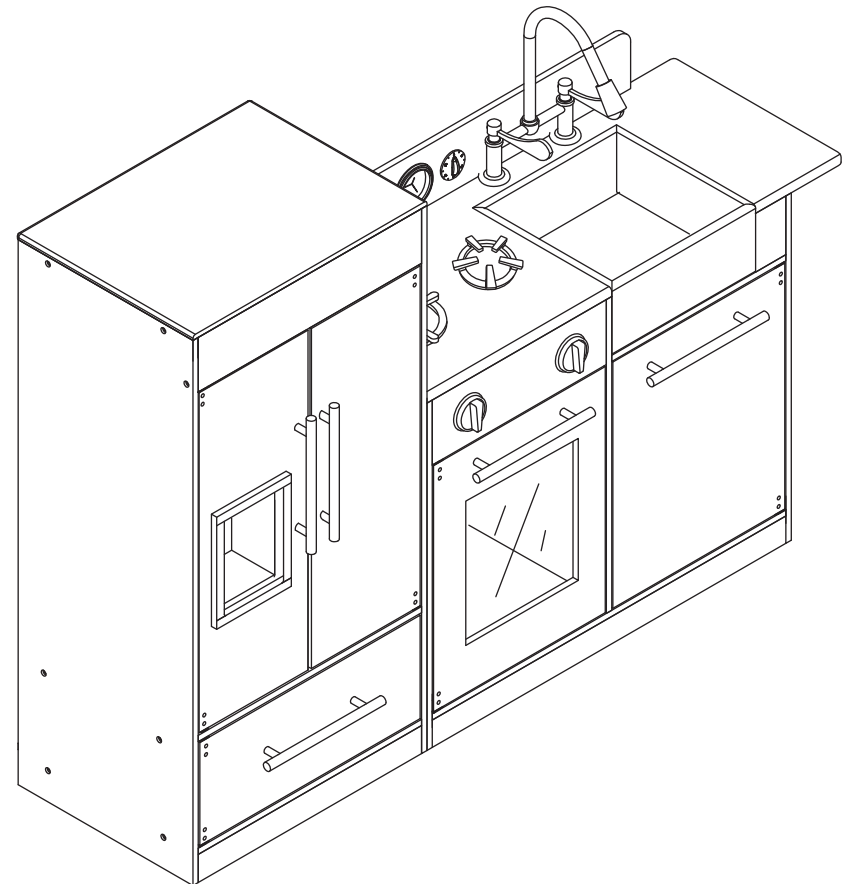


WARNING: CHOKING HAZARD

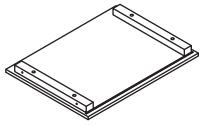
-Small parts.
Not for children under 3 years.

Warning for Assembly

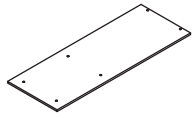
- ⚠ Assembled only by adults
- ⚠ Remove all packaging, separate and count all parts and hardware.
- ⚠ Read through each step carefully and follow the proper order.
- ⚠ We recommend that, where possible, all items are assembled near the area in which they will be placed in use, to avoid moving the product unnecessarily once assembled.
- ⚠ Ensure a secure surface during installation, and always place the product on a flat, steady and stable surface.



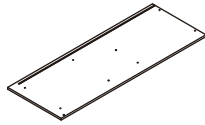
Product Parts



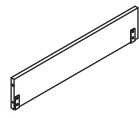
A



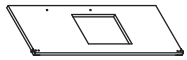
B



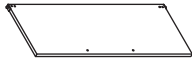
C



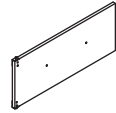
D



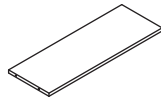
E



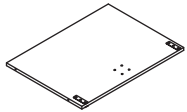
F



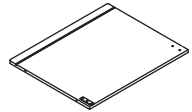
G



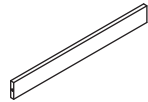
H



I



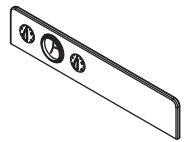
J



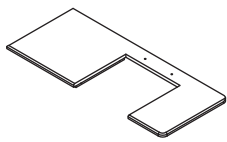
K



L



M



N



O x2



P



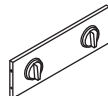
Q



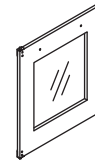
R



S



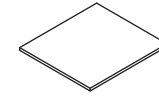
U



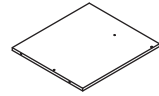
V



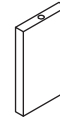
W



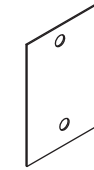
X



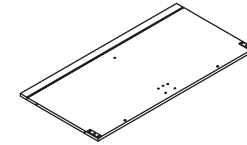
Y



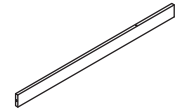
Z



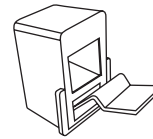
AA x2



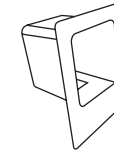
AB



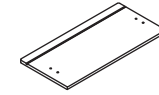
AC



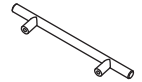
AD



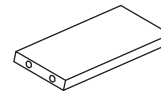
AE



AF x2



AG x5



AH x2

Accessories



Hardware



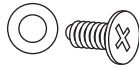
1 x27



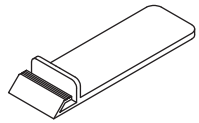
2 x21



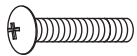
3 x13



4 x4



5 x4



6 x6



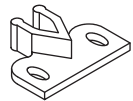
7 x5



8 x4



9 x1



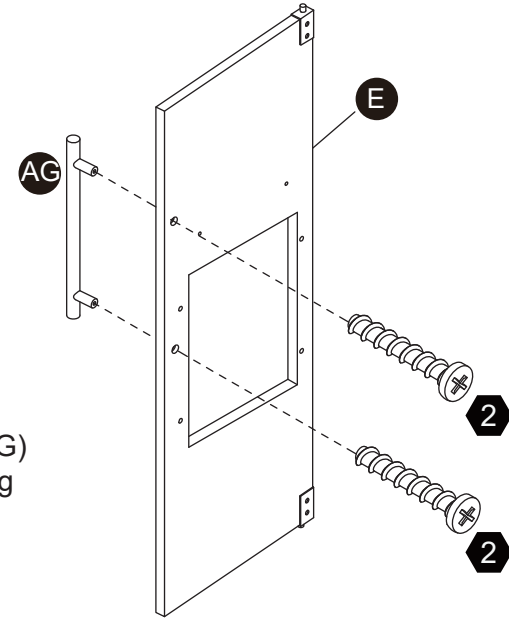
10 x1



11 x8

1

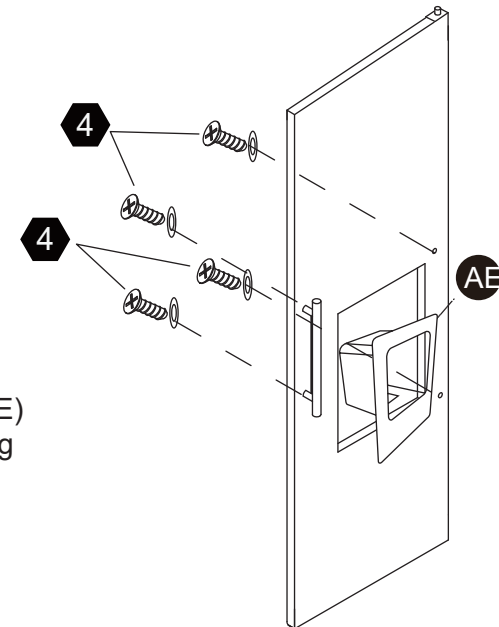
2 x2



Secure part (AG) to part (E) using screws 2.

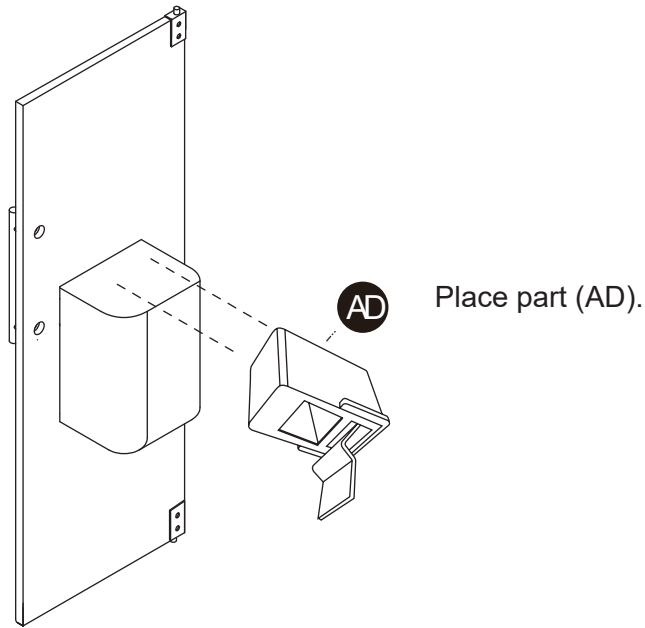
2

4 x4

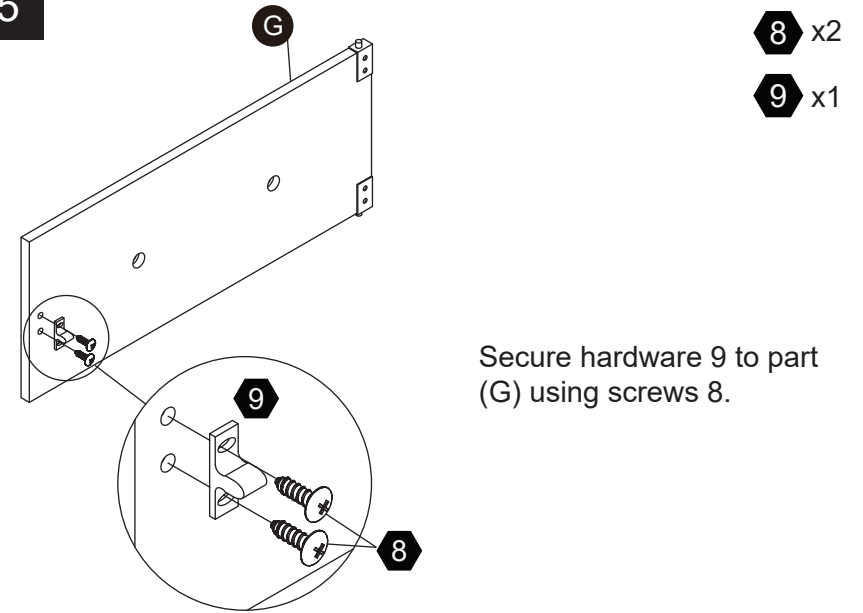


Secure part (AE) to part (E) using screws 4.

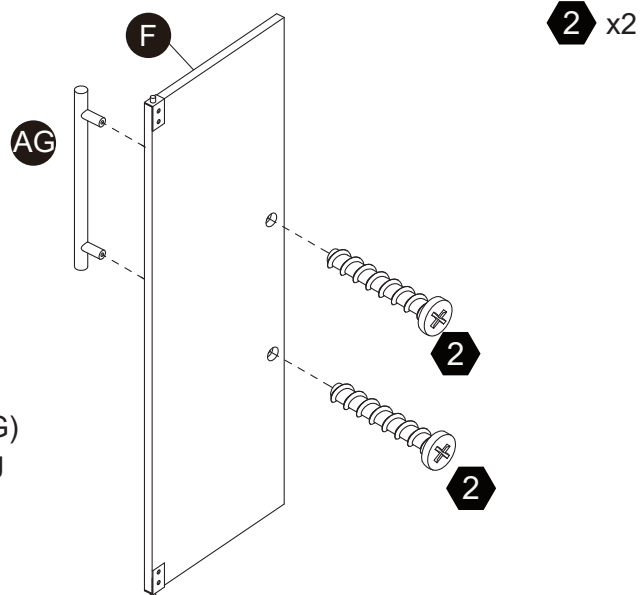
3



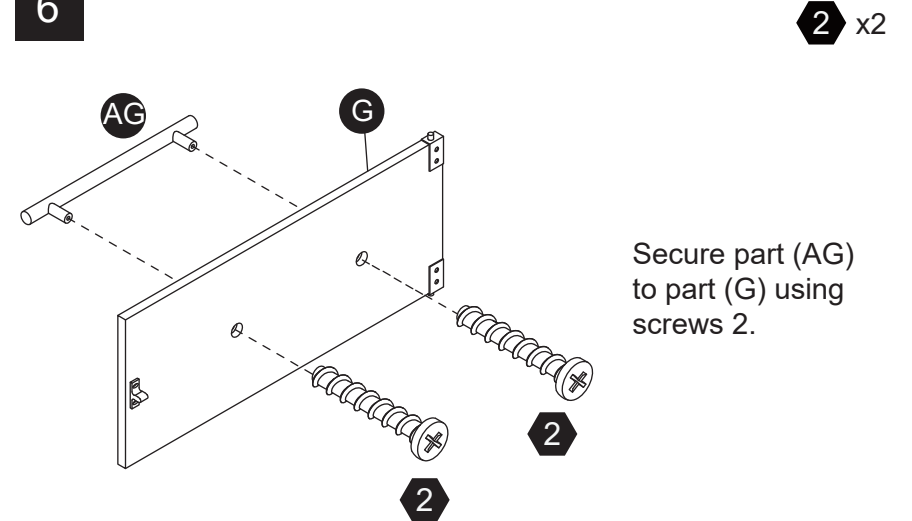
5

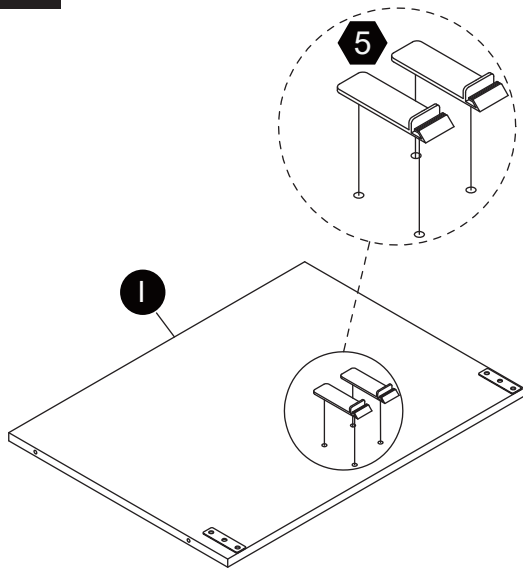


4

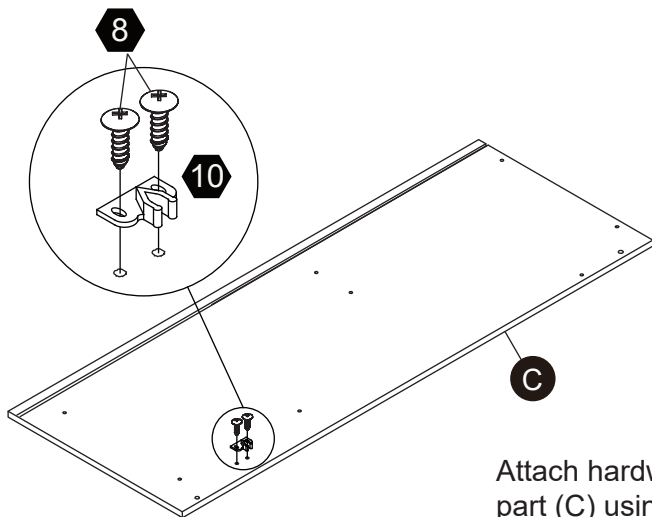


6

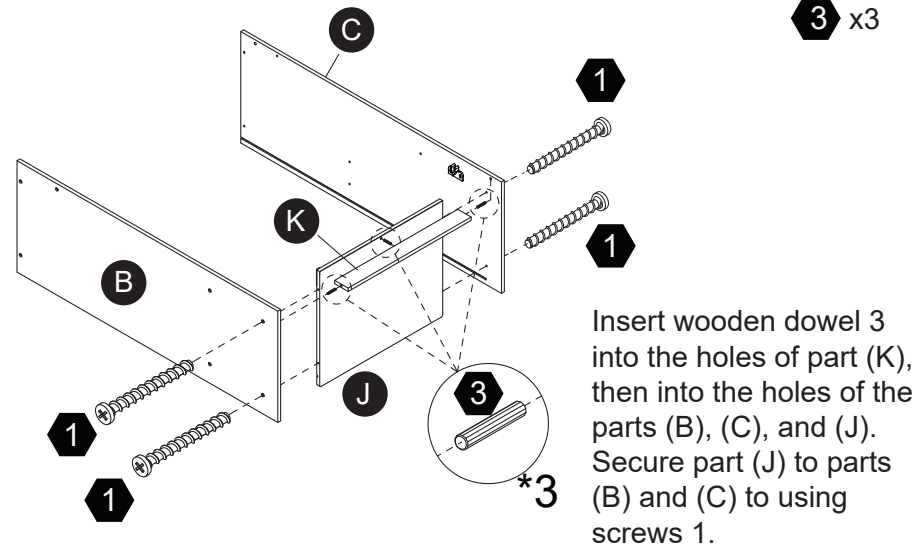


7**5** x2

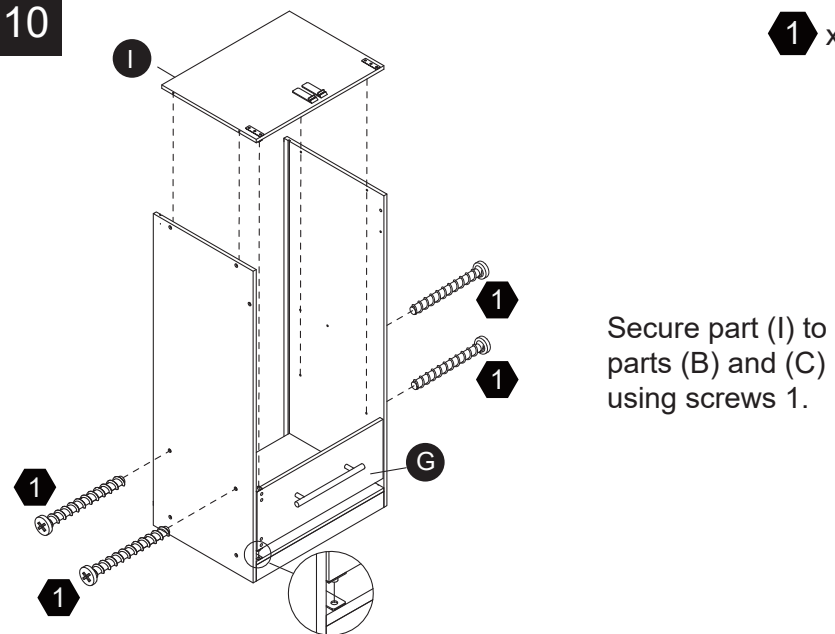
Insert the door latch
5 into the holes of
part (I).

8**8** x2**10** x1

Attach hardware 10 to
part (C) using screws 8.

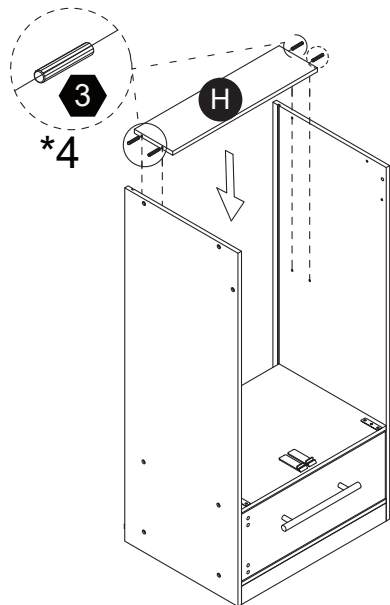
9**1** x4**3** x3

Insert wooden dowel 3
into the holes of part (K),
then into the holes of the
parts (B), (C), and (J).
Secure part (J) to parts
(B) and (C) to using
screws 1.

10**1** x4

Secure part (I) to
parts (B) and (C)
using screws 1.

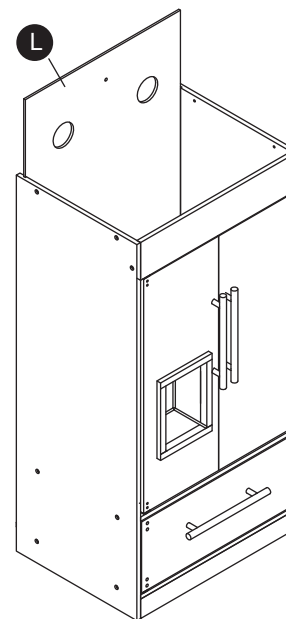
11



3 x4

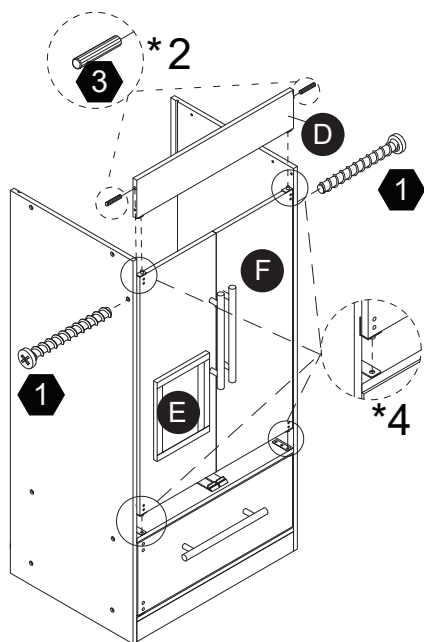
Insert wooden dowel 3 into the holes of part (H), then into the holes of the parts (B) and (C).

13



Insert part (L).

12

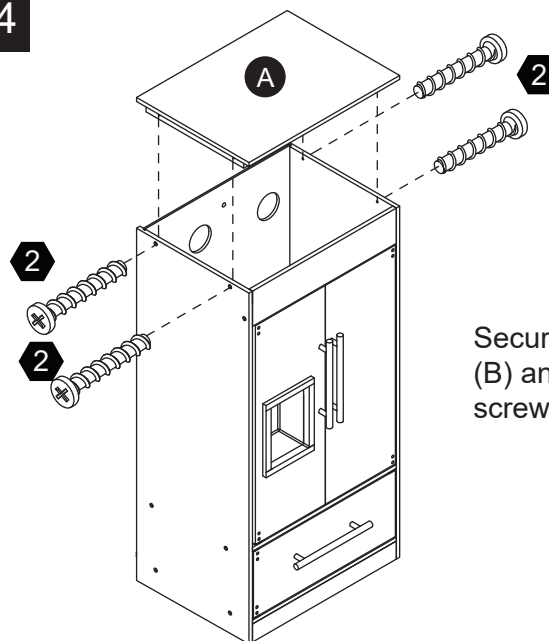


1 x2

3 x2

Insert parts (E) and (F) into the holes of the metal plate on part (I). Insert wooden dowel 3 into holes of part (D), then into the holes of parts (B) and (C). Secure part (D) to parts (B) and (C) using screws 1.

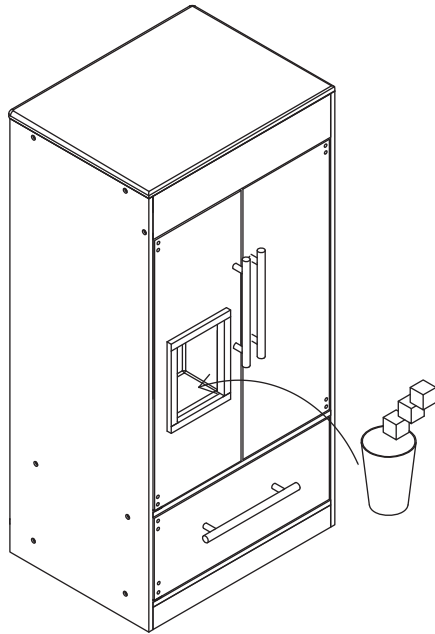
14



2 x4

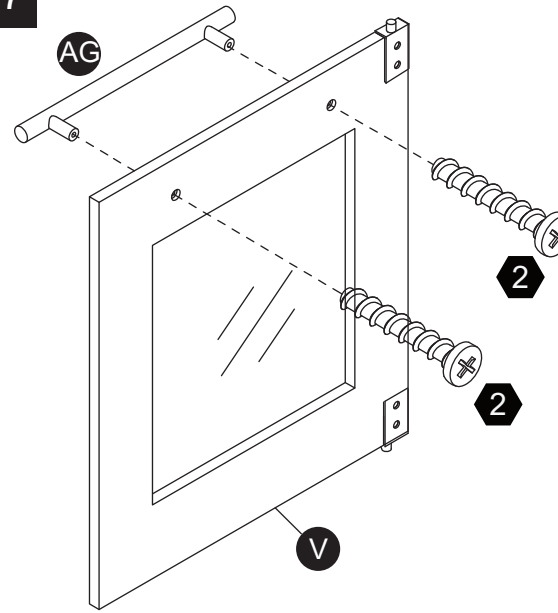
Secure part (A) to parts (B) and (C) using screws 2.

15



Place the cup and ice cubes.

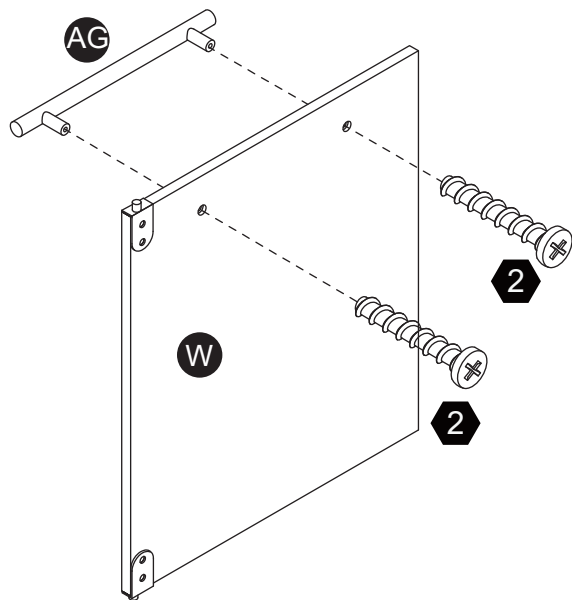
17



2 x2

Secure part (AG) to part (V) using screws 2.

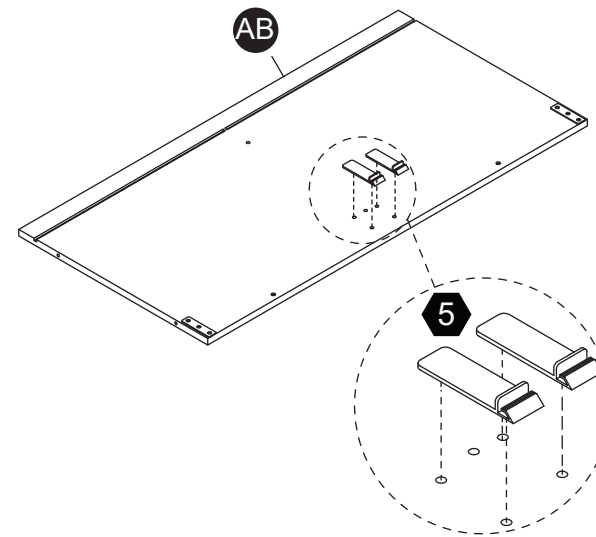
16



2 x2

Secure part (AG) to part (W) using screws 2.

18

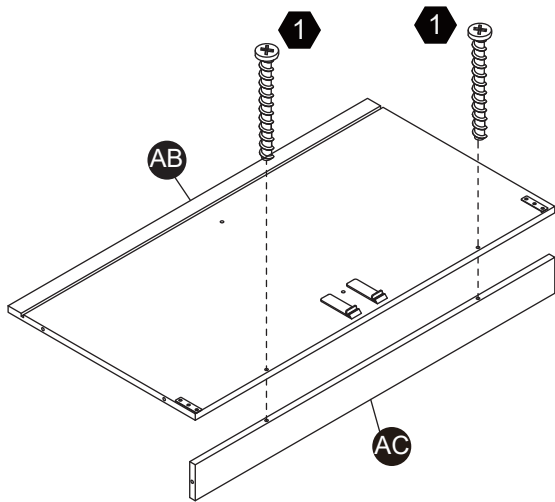


5 x2

Insert the door latch 5 into the holes of the part (AB).

19

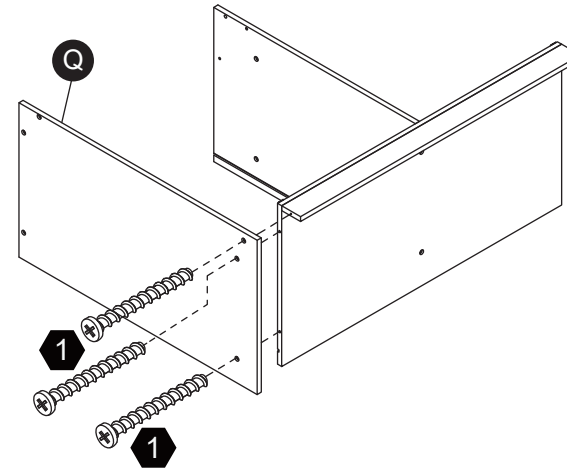
1 x2



Secure part (AC) to part (AB) using screws 1.

21

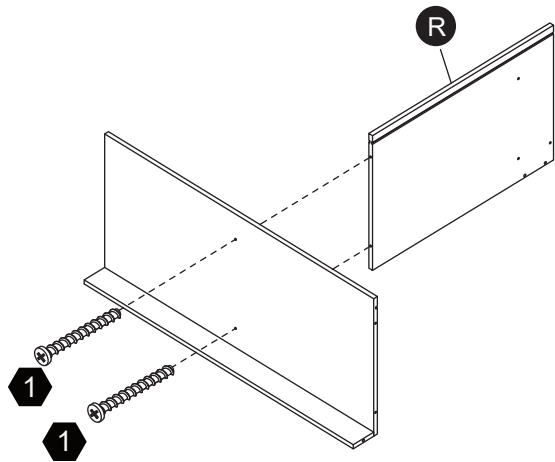
1 x3



Secure part (Q) to part (AB) using screws 1.

20

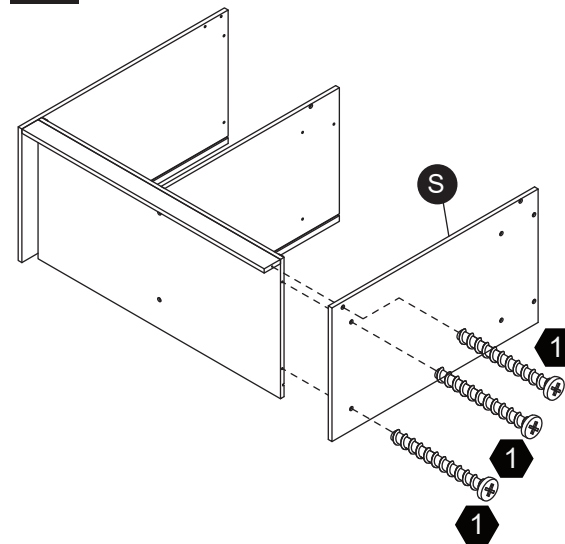
1 x2



Secure part (R) to part (AB) using screws 1.

22

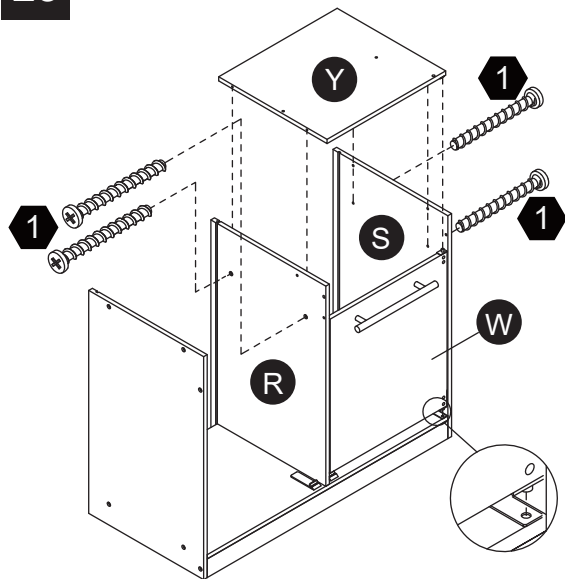
1 x3



Secure part (S) to part (AB) using screws 1.

23

1 x4

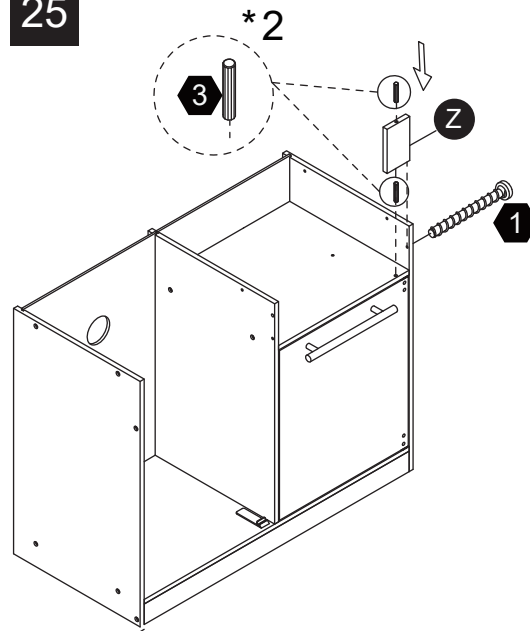


Secure part (Y) to parts (R) and (S) using screws 1.

25

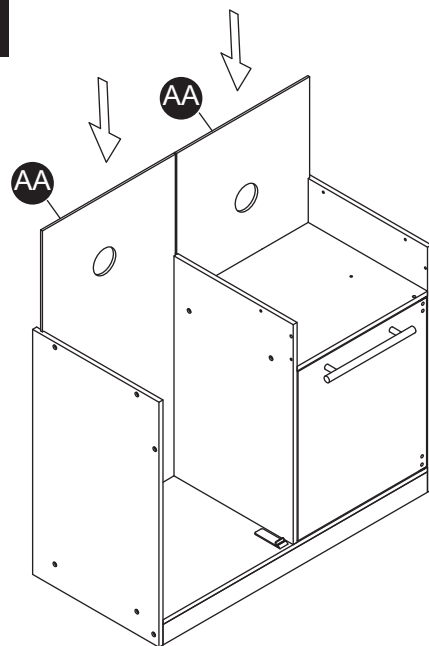
1 x1

3 x2



Insert wooden dowel 3 into the holes of part (Z), then into the holes of the part (Y). Secure part (Z) to part (S) using screw 1.

24

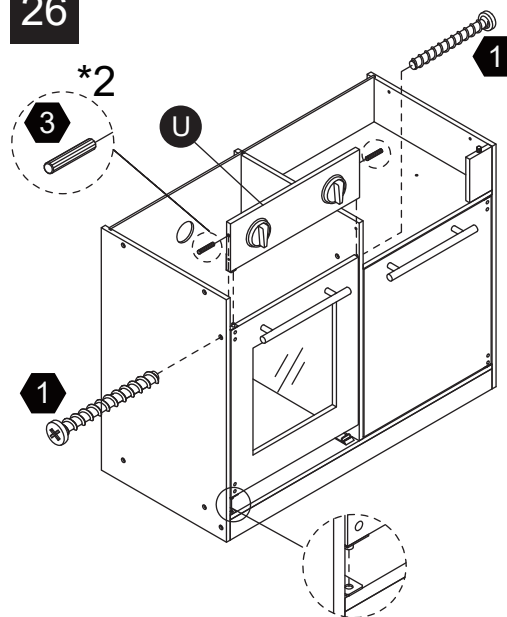


Insert two parts (AA).

26

1 x2

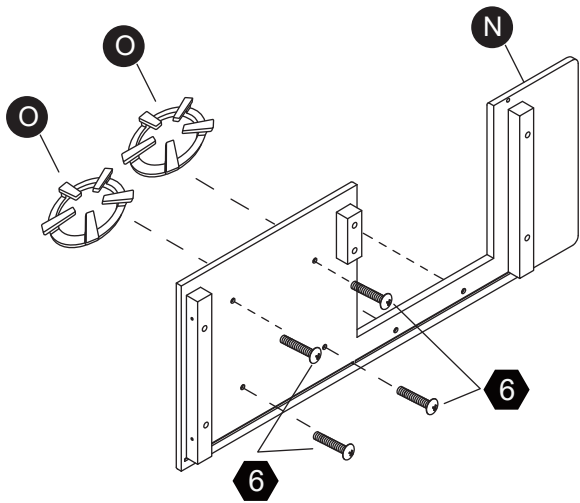
3 x2



Insert wooden dowel 3 into the holes of part (U), then into the holes of the parts (Q) and (R). Secure part (U) to parts (Q) and (R) using screws 1.

27

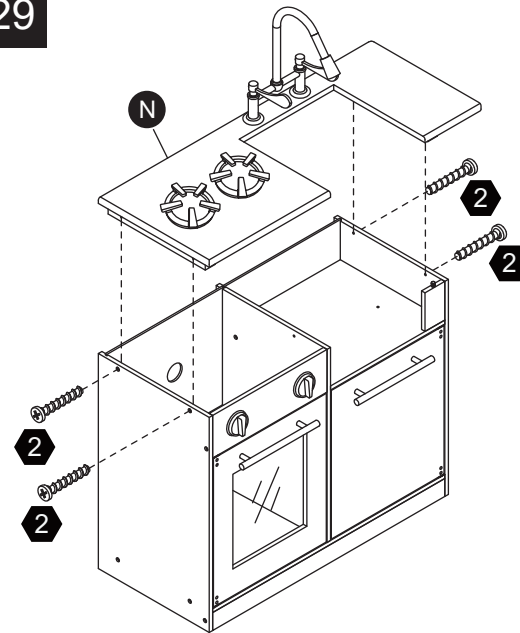
6 x4



Secure two parts (O) to part (N) using screws 6.

29

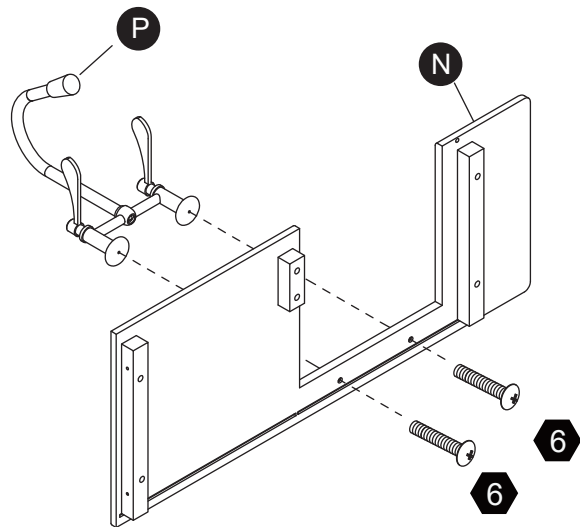
2 x4



Secure part (N) to parts (Q) and (S) using screws 2.

28

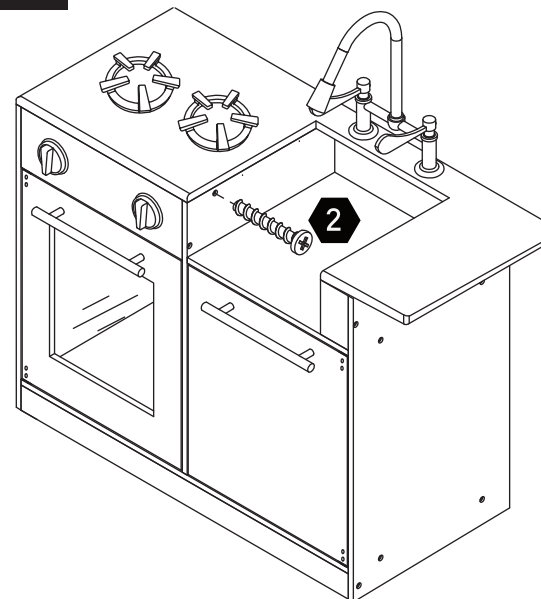
6 x2



Secure part (P) to part (N) using screws 6.

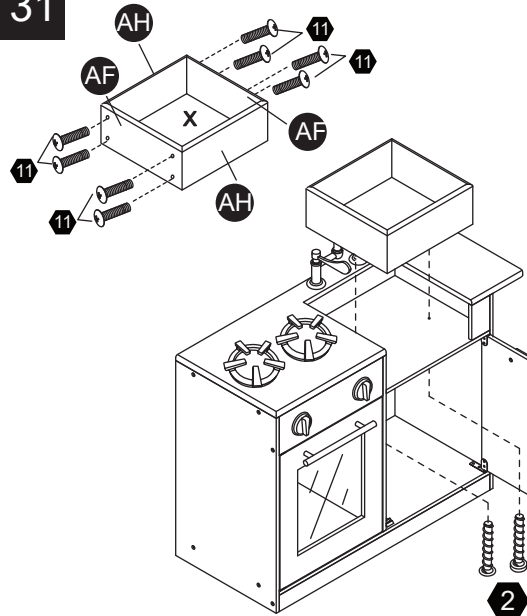
30

2 x1



Secure part (N) to part (R) using screw 2.

31

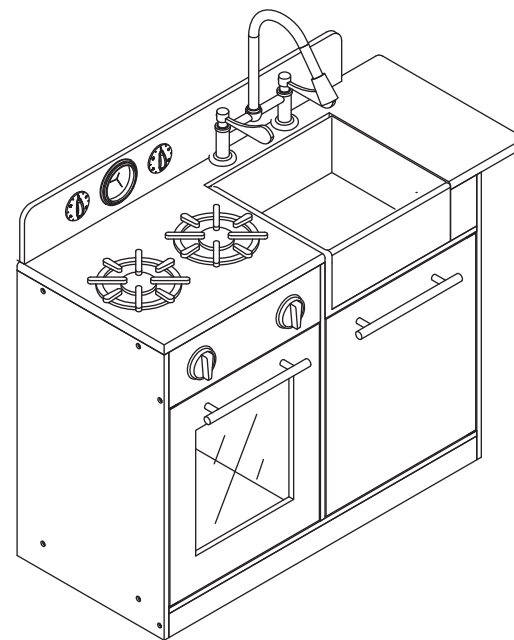


2 x2

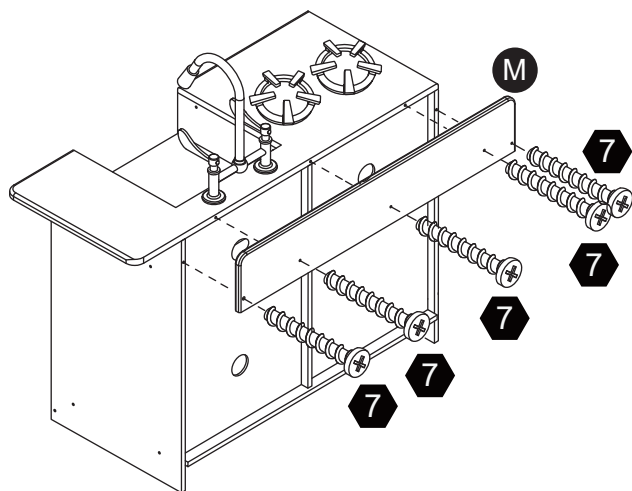
11 x8

Secure parts (AF), (X) and (AH) together using screws 11. Secure the sink to part (Y) using screws 2.

33



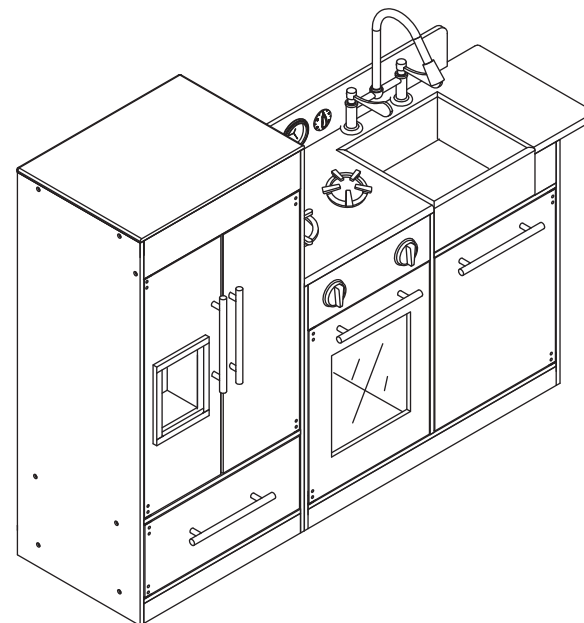
32



7 x5

Secure part (M) to part (N) using screws 7.

34



Hardware



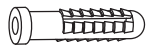
A x1



B x2



C x1



D x1



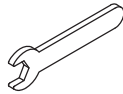
E x1



F x1

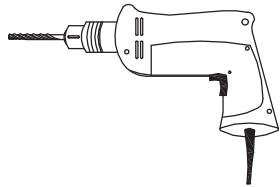


G x1



H x1

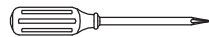
Tools Required for Assembly



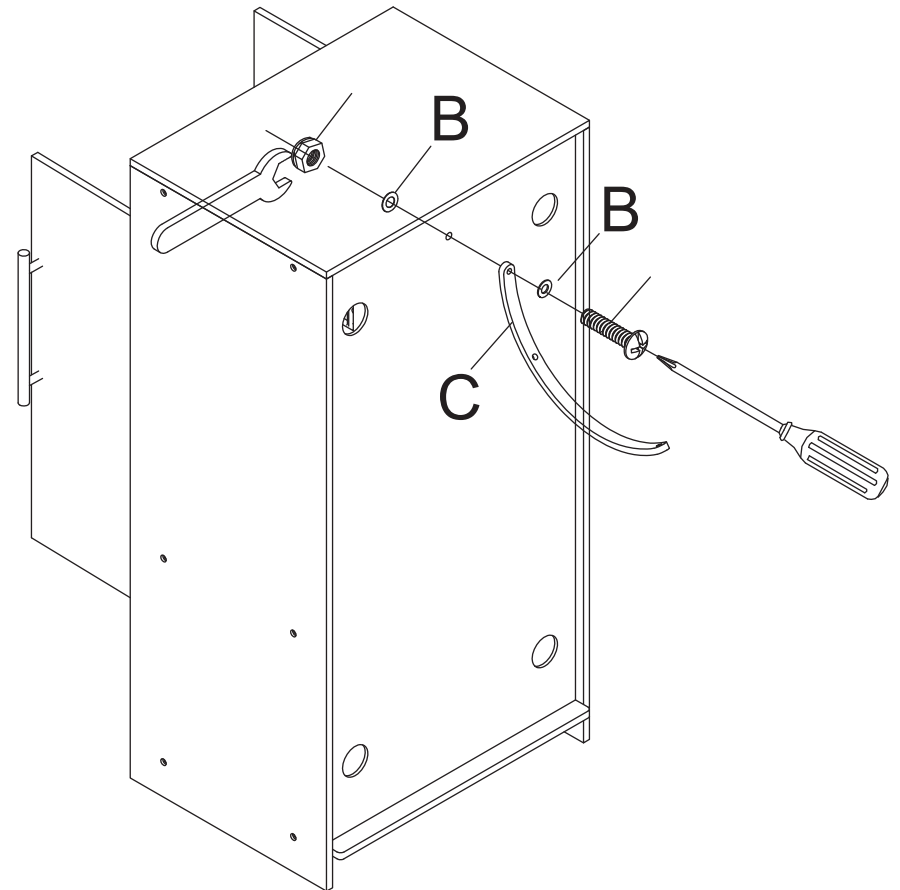
Electric Drill

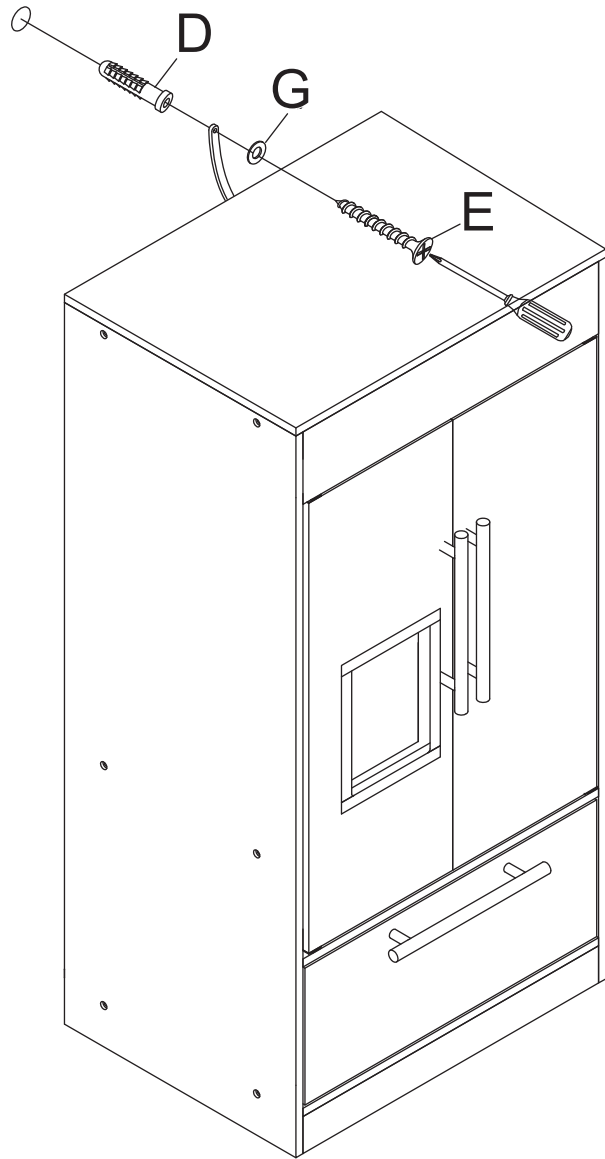


1/4"(6.5mm) Drill Bit



Phillips Screwdriver





Return / Damage Claim Instructions

- ⚠ **DO NOT discard the box / original packaging.**
In case a return is required, the item must be returned in original box. Without this your return will not be accepted.
- ⚠ **Take a photo of the box markings.**
A photo of the markings (text) on the side of the box is required in case a part is needed for replacement. This helps our staff identify your product number to ensure you receive the correct parts.
- ⚠ **Take a photo of the damaged part (if applicable).**
A photo of the damage is always required to file a claim and get your replacement or refund processed quickly. Please make sure you have the box even if it is damaged.
- ⚠ **Send us an email with the images requested.**
Email us directly from marketplace where your item was purchased with the attached images and a description of your claim.