

Bed Frame

HU10729GB-T

THIS INSTRUCTION BOOKLET CONTAINS **IMPORTANT** SAFETY INFORMATION.
PLEASE READ AND KEEP FOR FUTURE REFERENCE.



Before You Start

- ⚠ Please read all instructions carefully.
- ⚠ Retain instructions for future reference.
- ⚠ Separate and count all parts and hardware.
- ⚠ Read through each step carefully and follow the proper order.
- ⚠ We recommend that, where possible, all items are assembled near to the area in which they will be placed in use, to avoid moving the product unnecessarily once assembled.
- ⚠ Always place the product on a flat, steady and stable surface.
- ⚠ Keep all small parts and packaging materials for this product away from babies and children as they potentially pose a serious choking hazard.

PARTS LIST

① X1



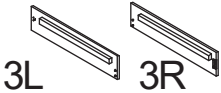
Headboard

② X1



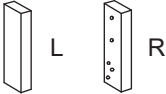
Footboard

③ X4



Side Rails

④ X2



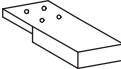
Side Wings

⑤ X2



Footboard Legs
Plastic Cone Leg
NO.99 - (60x150H)

⑥ X2




Side Rail Legs
NO.127 -
240 x 80 x 30mm

⑦ X2




10 Slats
927mm


HARDWARE LIST

	
(A)	X10

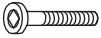
Spring Washers

	
(B)	X18


Flat Washers

	
M8 x 20mm	
(C)	X4


JCBB Bolts

	
M6 x 30mm	
(D)	X8


JCBC Bolts

	
M6 x 50mm	
(E)	X10


JCBC Bolts

	
32mm	
(F)	X20

CSK Screws

	
65mm	
(G)	X1

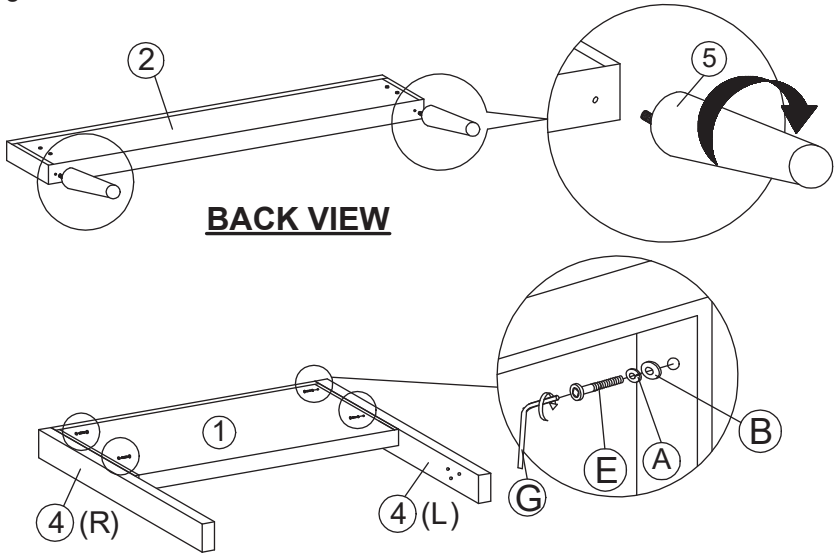
Allen Key

	
70mm	
(H)	X1

Allen Key

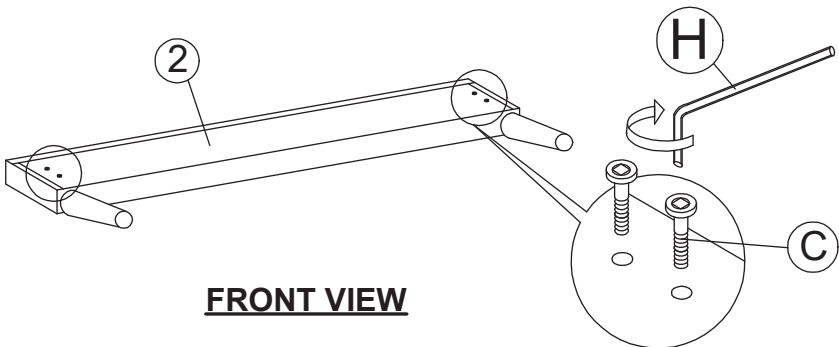
1

Attach the side wings (4) to the headboard (1). Fix the footboard with legs as shown.



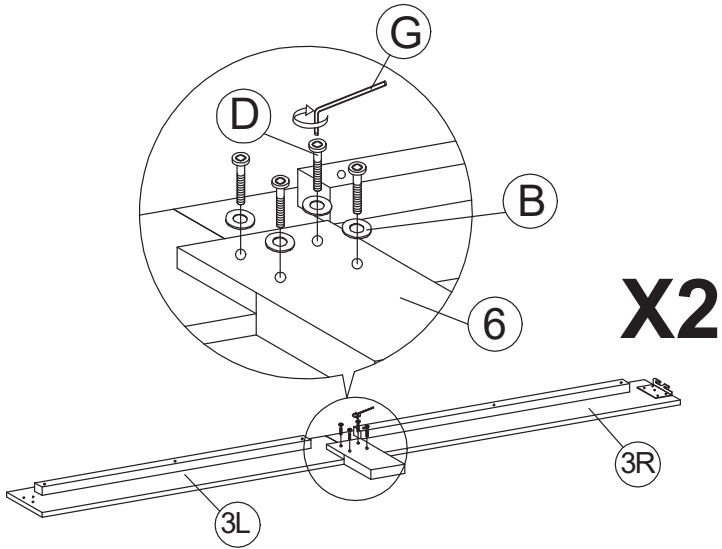
2

Attach the JCBB bolts (C) to the headboard bracket and footboard bracket.



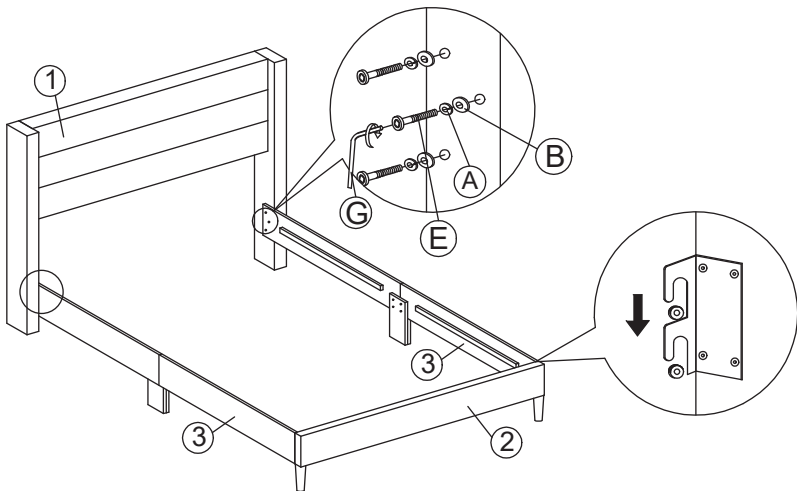
3

Attach the side rail leg (6) to the side rails (3).



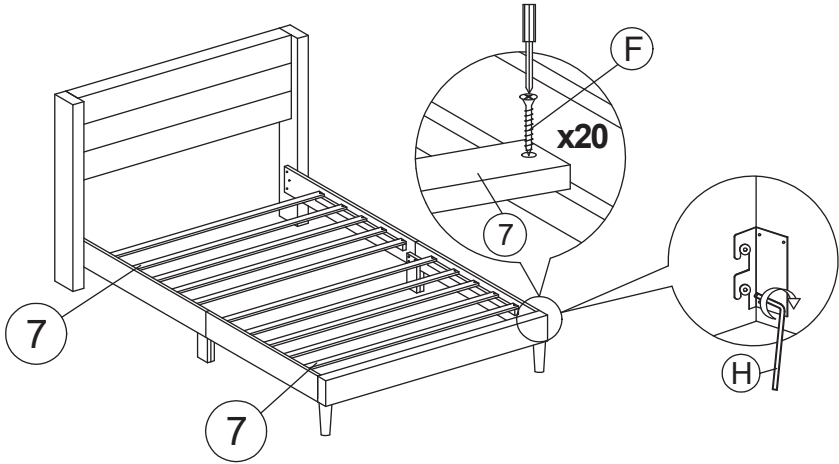
4

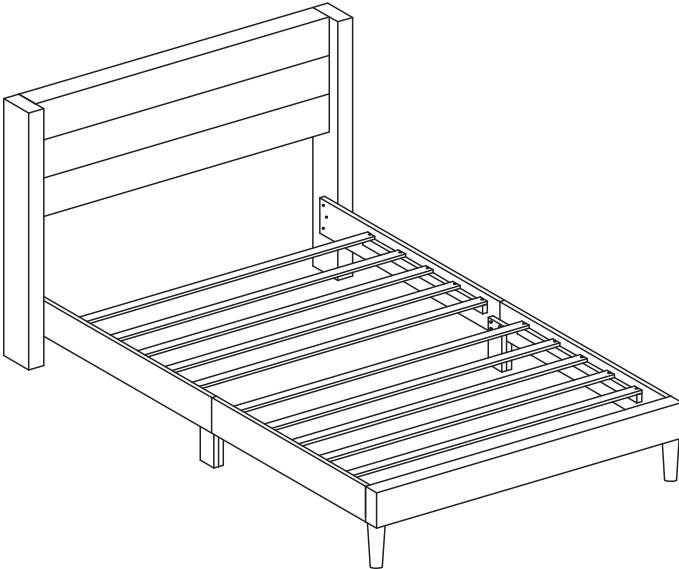
Attach side wings (4) to side rails (3). Attach side rails (3) to footboard (2) by pushing the bracket down to fit it.

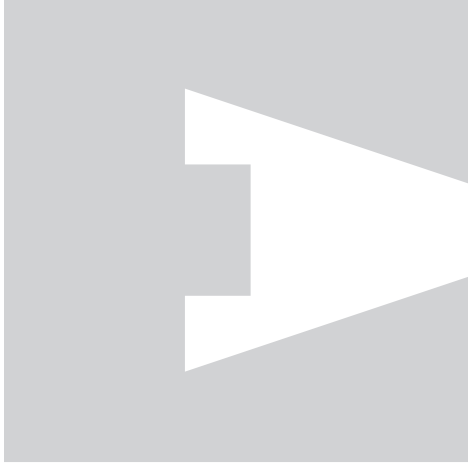


5

Tighten the corners with Allen key (H). Install the bed slats to side rails. Tighten the slats with CSK screws. The distance of the slats should be sufficient to obtain desirable bed stability.



COMPLETE



USA office: Fontana **AUS** office: Truganina
GBR office: FDS Corporation Limited, Unit 4, Blackacre
Road, Great Blakenham, Ipswich, IP6 0FL, United Kingdom