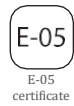


MORAI - Vanity unit with 2 drawers - 600/800/1000/1200 (2x600)



Exterior finish



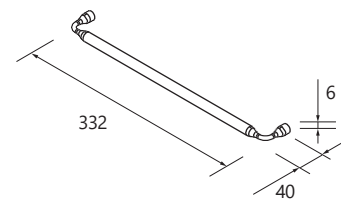
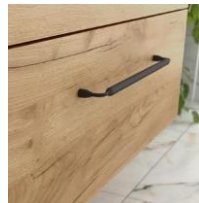
Oak

Interior finish



Onix

Handles



Packaging dimensions and weight

	600	800	1000
Length (mm)	660	860	1060
Depth (mm)	510	510	510
Height (mm)	610	610	610
Net weight (kg)	21.4	25.3	26.5
Gross weight (kg)	23.8	27.9	29.5

Technical characteristics

Fronts and sides (th.=16 mm): laminated particle board.

Internal structure (th.=16 mm): laminated particle board, Nude finish with texture.

* All the boards used in manufacturing this furniture are classified as E05 grade with low formaldehyde content.

* Edges as per design: PVC. (edging with PUR adhesive)

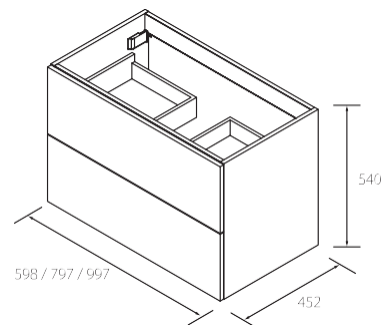
Fittings

Hooks: high-strength hook with three separate adjustments accessible from the front. Load capacity of 70 kg.

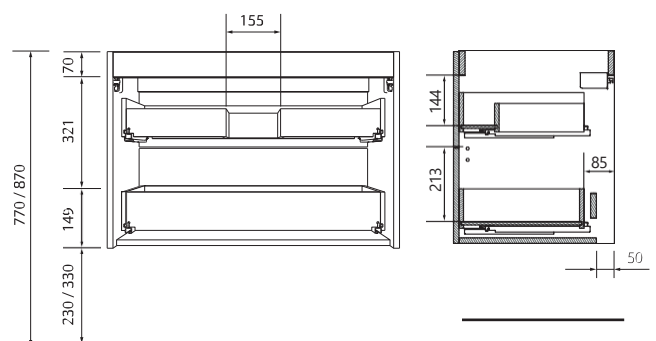
Drawer: wooden drawer with hidden partial extraction rails, soft close and height adjustment. Max. load capacity of 25 kg.

Rail: hidden Indaux partial extraction rails with soft close and height adjustment. Max. load capacity of 25 kg.

Cabinet dimensions



Free space for water area



Basins included in sets

Integrated basins:
600/800/1000/1200 (double basin): Constanza

Top basin: Lisboa

BEQUIA - Column unit with 1 push door



Exterior finishes



Interior finish



Technical characteristics

Fronts and sides (th.=16 mm):

- Gloss white: lacquered particle board.
- Matte white, Matte black, Matte blue, Oak, Walnut, Natural: laminated particle board.

Internal structure (th.=16 mm): laminated particle board, Nude finish with leather texture.

Wooden shelves (th.=16 mm): height adjustable. (4 units)

* All the boards used in manufacturing this furniture are classified as E05 grade with low formaldehyde content.

* Edges as per design: PVC. (edging with PUR adhesive)

Packaging dimensions and weight

	300x1400
Length (mm)	360
Depth (mm)	285
Height (mm)	1445
Net weight (kg)	17.7
Gross weight (kg)	19.5

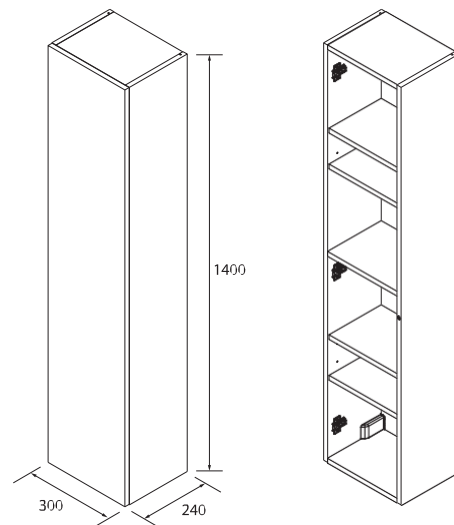
Fittings

Hooks: high-strength hook with three separate adjustments accessible from the front. Load capacity of 70 kg.

Hinges: adjustable Hettich hinges. 110° opening.

Push: push opening system with adjustable activation piston.

Cabinet dimensions



CONSTANZA - Integrated basin 610/710/810/910/1010/1210



Finish



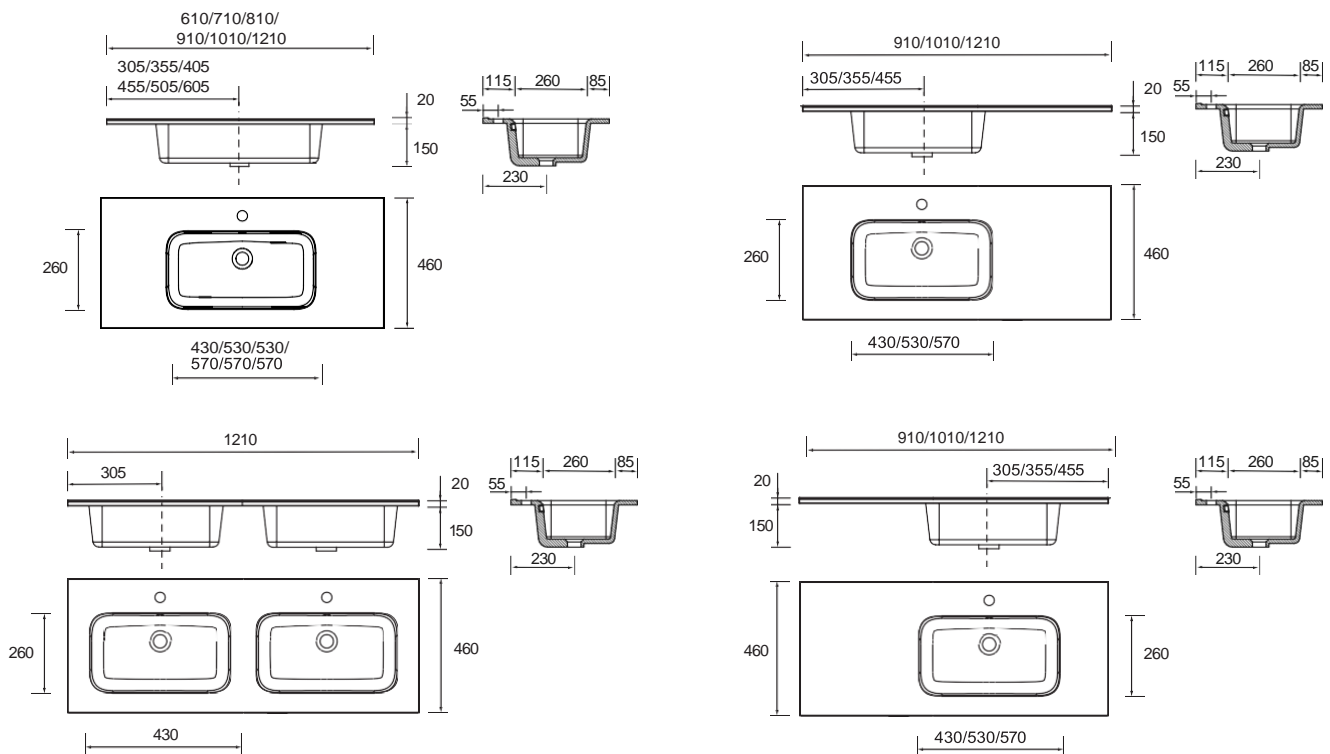
Gloss white

Technical characteristics

- High gloss white porcelain integrated basin.
- Resistant to chemical products and scratching.
- Recyclable.
- Basin with overflow.
- Syphon, clicker plug and tap not included.

Product dimensions

* ± 10 mm



16 mm thick basin vanity tops



E-05

E-05
certificate

Exterior finishes



Gloss white



Matte white



Matte black



Matte blue



Oak



Walnut



Natural

Technical characteristics

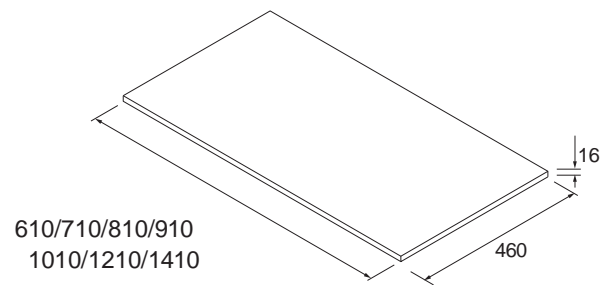
Manufacturing (th.=16 mm):

- Oak, Walnut, Natural, Gloss white, Matte white, Walnut black, Matte blue: laminated particle board.

* All the boards used in manufacturing this furniture are classified as E05 grade with low formaldehyde content.

*Edges as per design: PVC, ABS. (edging with PUR adhesive)

Vanity top measurements



Compatible basins

Top basin: Lisboa

