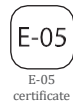


BORN - Vanity unit with 2 drawers - 600/800/1000/1200 (2x600)



Exterior finish



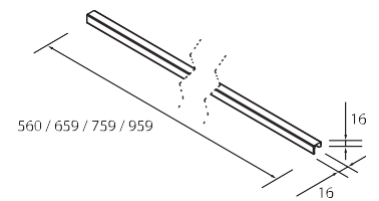
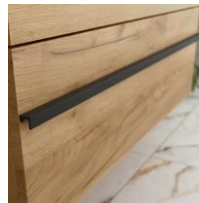
Oak

Interior finish



Onix

Handles



Technical characteristics

Fronts and sides (th.=16 mm): laminated particle board.

Internal structure (th.=16 mm): laminated particle board, Nude finish with texture.

* All the boards used in manufacturing this furniture are classified as E05 grade with low formaldehyde content.

* Edges as per design: PVC. (edging with PUR adhesive)

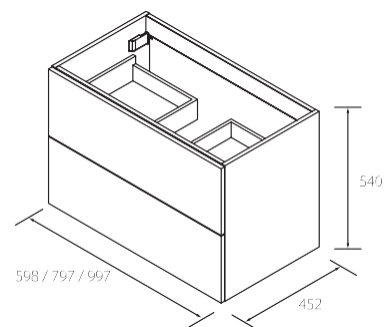
Fittings

Hooks: high-strength hook with three separate adjustments accessible from the front. Load capacity of 70 kg.

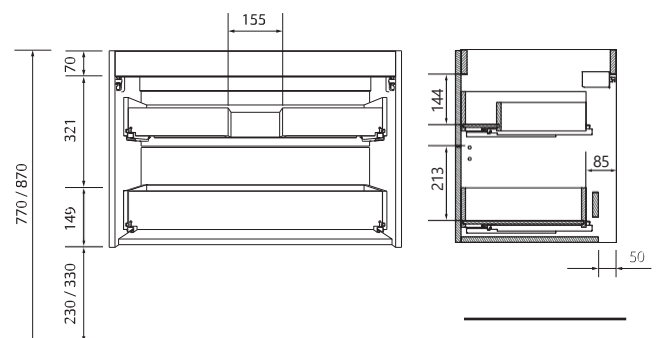
Drawer: wooden drawer with hidden partial extraction rails, soft close and height adjustment. Max. load capacity of 25 kg.

Rail: hidden Indaux partial extraction rails with soft close and height adjustment. Max. load capacity of 25 kg.

Cabinet dimensions



Free space for water area



Basins included in sets

Integrated basins:

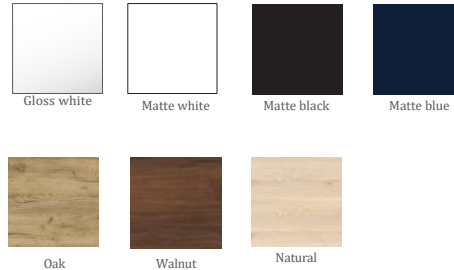
600/800/1000/1200 (double basin): Constanza

Top basin: Lisboa

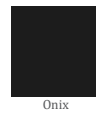
BEQUIA - Column unit with 1 push door



Exterior finishes



Interior finish



Technical characteristics

Fronts and sides (th.=16 mm):

- Gloss white: lacquered particle board.
- Matte white, Matte black, Matte blue, Oak, Walnut, Natural: laminated particle board.

Internal structure (th.=16 mm): laminated particle board, Nude finish with leather texture.

Wooden shelves (th.=16 mm): height adjustable. (4 units)

* All the boards used in manufacturing this furniture are classified as E05 grade with low formaldehyde content.

* Edges as per design: PVC. (edging with PUR adhesive)

Packaging dimensions and weight

	300x1400
Length (mm)	360
Depth (mm)	285
Height (mm)	1445
Net weight (kg)	17.7
Gross weight (kg)	19.5

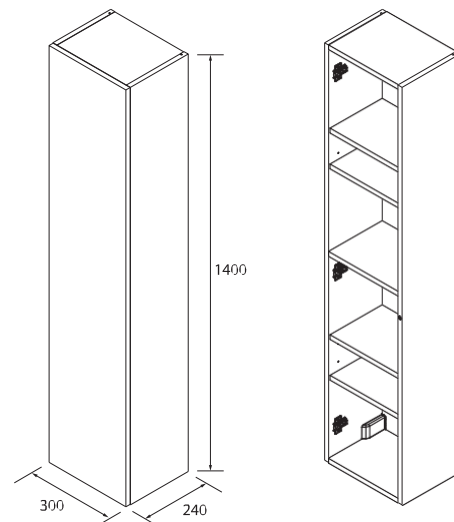
Fittings

Hooks: high-strength hook with three separate adjustments accessible from the front. Load capacity of 70 kg.

Hinges: adjustable Hettich hinges. 110° opening.

Push: push opening system with adjustable activation piston.

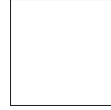
Cabinet dimensions



CONSTANZA - Integrated basin 610/710/810/910/1010/1210



Finish



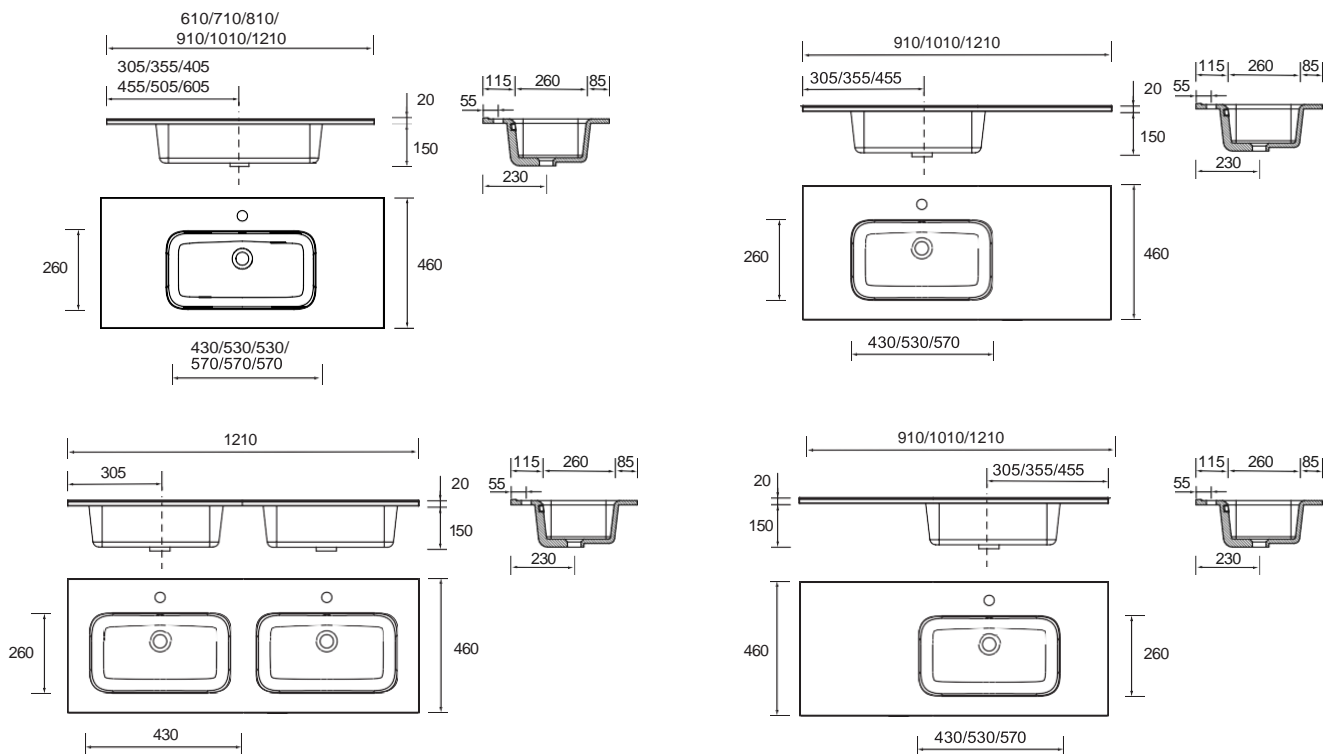
Gloss white

Technical characteristics

- High gloss white porcelain integrated basin.
- Resistant to chemical products and scratching.
- Recyclable.
- Basin with overflow.
- Syphon, clicker plug and tap not included.

Product dimensions

* ± 10 mm



16 mm thick basin vanity tops



E-05

E-05
certificate

Exterior finishes



Gloss white



Matte white



Matte black



Matte blue



Oak



Walnut



Natural

Technical characteristics

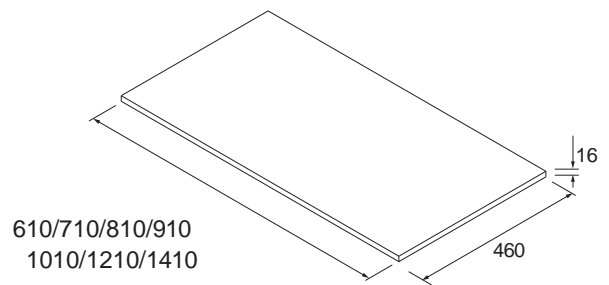
Manufacturing (th.=16 mm):

- Oak, Walnut, Natural, Gloss white, Matte white, Walnut black, Matte blue: laminated particle board.

* All the boards used in manufacturing this furniture are classified as E05 grade with low formaldehyde content.

*Edges as per design: PVC, ABS. (edging with PUR adhesive)

Vanity top measurements



Compatible basins

Top basin: Lisboa

