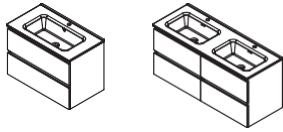


BEQUIA METAL SERIES

Bequia Metal with 2 drawers

Unit + Basin

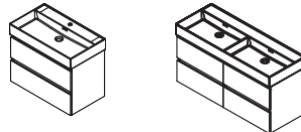
Constanza basin



600/700/800/1000

1200

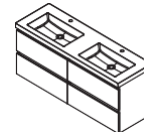
Veneto basin



800/1000

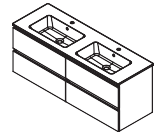
1200

Toscana basin



1400

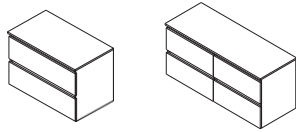
Vilna basin



1600

Unit + Vanity top

No basin

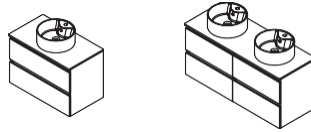


600/700/800/1000

1200

Unit + Vanity top + Basin

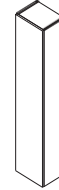
Lisboa basin



600/700/800/1000

1200

Column unit



300

Finishes



Matte white

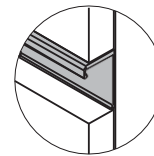


African oak



Mayan walnut

Handle

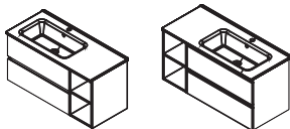


Bequia Plus with 2 drawers

The cabinets are not assembled with the unit but rather come in separate packaging

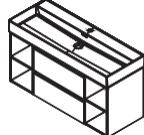
Unit + Cabinet with 2 spaces + Basin

Constanza basin



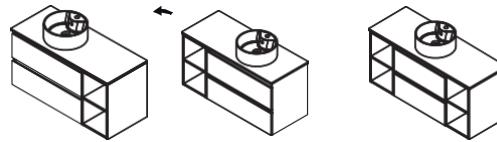
900/1000

Veneto basin



1200

Lisboa basin



Reversible cabinet
900/1000

1200

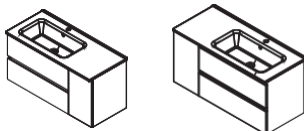
Column unit



300

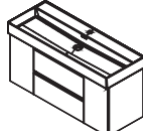
Unit + 1 door cabinet + Basin

Constanza basin



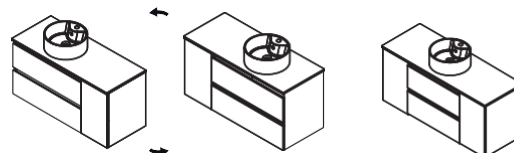
900/1000

Veneto basin



1200

Lisboa basin



Reversible cabinet
900/1000

1200

Finishes



Matte white

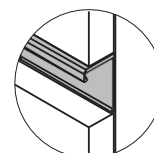


African oak

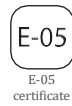


Mayan walnut

Handle



BEQUIA - Vanity unit with 2 drawers - 600/700/800/1000



E-05
certificate



Soft closing
system

Exterior finishes



Gloss white



Matte white



Matte black



Matte blue



Oak



Walnut



Natural

Interior finish



Onix

Technical characteristics

Fronts and sides (th.=16 mm):

- Gloss white: lacquered particle board.
- Matte white, Matte black, Matte blue, Oak, Walnut, Natural: laminated particle board.

Internal structure manufacturing (th.=16 mm): Onix finish laminated particle board.

* All the boards used in manufacturing this furniture are classified as E05 grade with low formaldehyde content.

* Edges as per design: PVC. (edging with PUR adhesive)

Fittings

Hooks: high-strength hook with three separate adjustments accessible from the front. Load capacity of 70 kg.

Drawer: wooden drawer with hidden partial extraction Hettich rails, soft close and height adjustment. Max. load capacity of 25 kg.

Basins included in sets

Integrated basins:

600/700/800/1000/1200 (double basin): Constanza

800/1000/1200 (double basin): Veneto

1400 (double basin): Toscana

1600 (double basin): Vilna

Basins for sets with vanities:

900/1000 offset left and right: Constanza

1200: Veneto

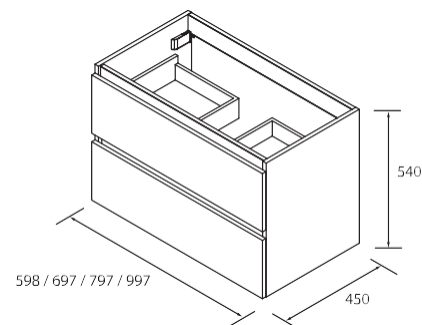
Top basin:

- Lisboa

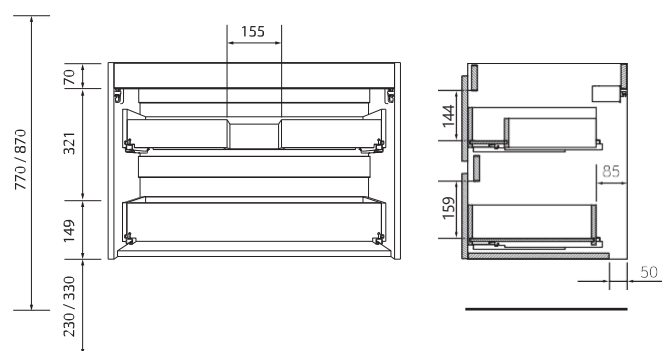
Packaging dimensions and weight

	600	700	800	1000
Length (mm)	660	760	860	1060
Depth (mm)	510			
Height (mm)	610			
Net weight (kg)	19.6	20.6	23.5	24.7
Gross weight (kg)	22.2	23.2	26.3	27.9

Cabinet dimensions



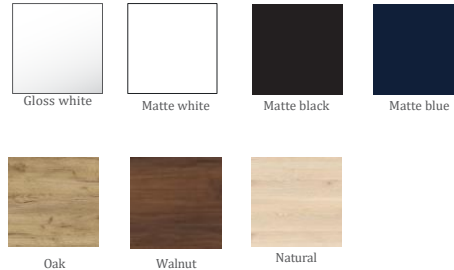
Free space for water area



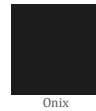
BEQUIA - Column unit with 1 push door



Exterior finishes



Interior finish



Technical characteristics

Fronts and sides (th.=16 mm):

- Gloss white: lacquered particle board.
- Matte white, Matte black, Matte blue, Oak, Walnut, Natural: laminated particle board.

Internal structure (th.=16 mm): laminated particle board, Nude finish with leather texture.

Wooden shelves (th.=16 mm): height adjustable. (4 units)

* All the boards used in manufacturing this furniture are classified as E05 grade with low formaldehyde content.

* Edges as per design: PVC. (edging with PUR adhesive)

Packaging dimensions and weight

	300x1400
Length (mm)	360
Depth (mm)	285
Height (mm)	1445
Net weight (kg)	17.7
Gross weight (kg)	19.5

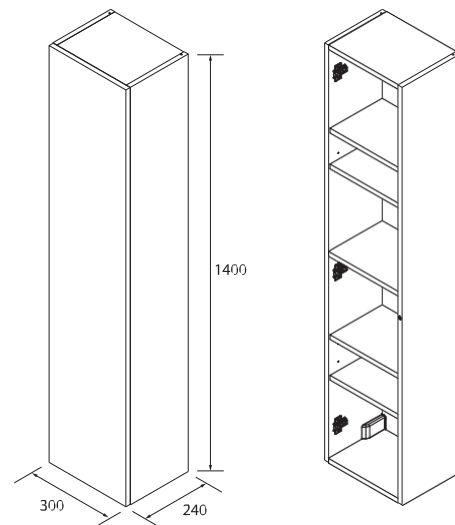
Fittings

Hooks: high-strength hook with three separate adjustments accessible from the front. Load capacity of 70 kg.

Hinges: adjustable Hettich hinges. 110° opening.

Push: push opening system with adjustable activation piston.

Cabinet dimensions



BEQUIA METAL HANDLE



Finish



Matte black

Packaging dimensions and weight

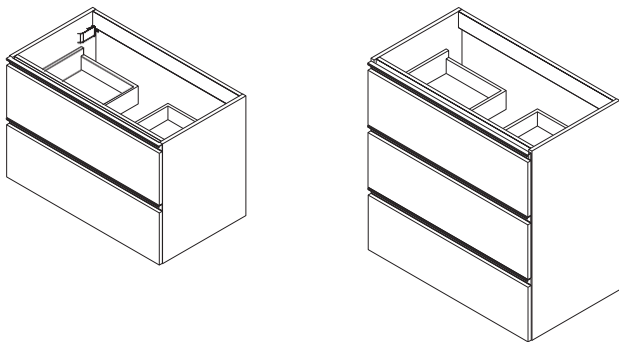
	600	700	800	1000
Length (mm)	603	810	810	1005
Depth (mm)	55			
Height (mm)	26			
Net weight (kg)	0.16	0.19	0.22	0.27
Gross weight (kg)	0.21	0.24	0.28	0.34

Technical specifications

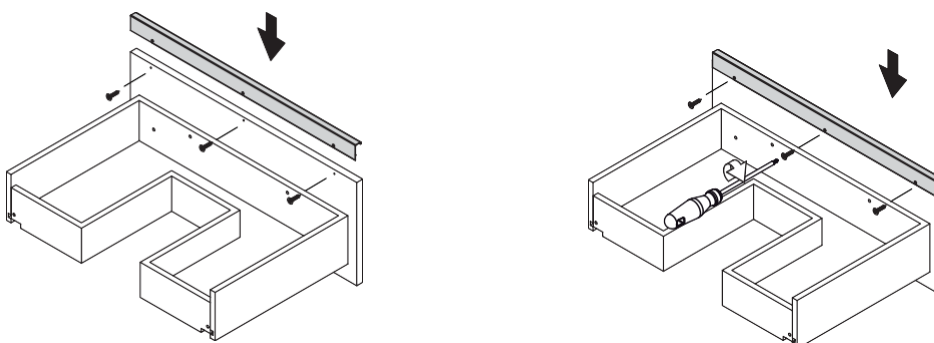
Aluminium handle in matte black.
Mounting screws included.

Dimensions

For combination with units



Installation



CONSTANZA - Integrated basin 610/710/810/910/1010/1210



Finish



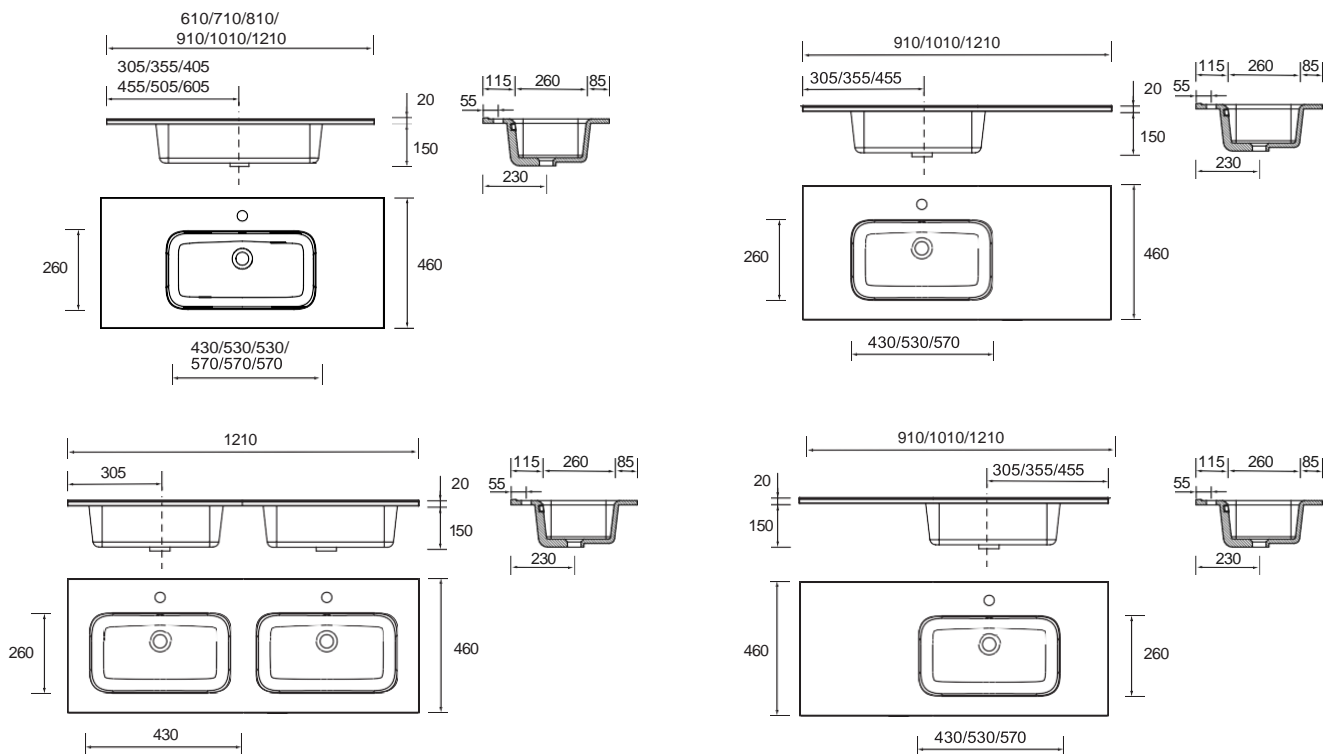
Gloss white

Technical characteristics

- High gloss white porcelain integrated basin.
- Resistant to chemical products and scratching.
- Recyclable.
- Basin with overflow.
- Syphon, clicker plug and tap not included.

Product dimensions

* ± 10 mm



VENETO - Integrated basin 810/1010/1210



Finish



Gloss
white

Packaging dimensions and weight

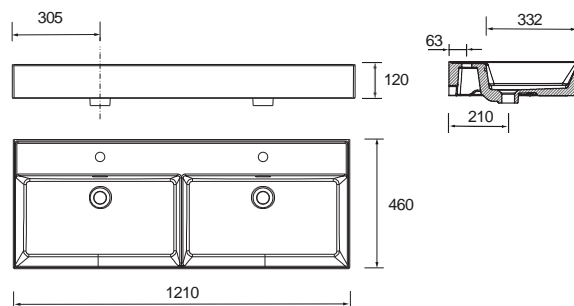
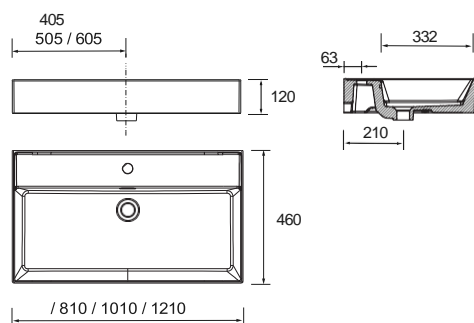
	800	1000	1200
Length (mm)	840	1040	1240
Depth (mm)	540		
Height (mm)	190		
Net weight (kg)	20.8	25.1	27.3
Gross weight (kg)	21.9	26.3	28.7

Technical characteristics

- High gloss white porcelain integrated basin.
- Resistant to chemical products and scratching.
- Recyclable.
- Basin with overflow.
- Syphon, clicker plug and tap not included.

Product dimensions

* ± 10 mm



TOSCANA - Integrated basin 1405



Exterior finish



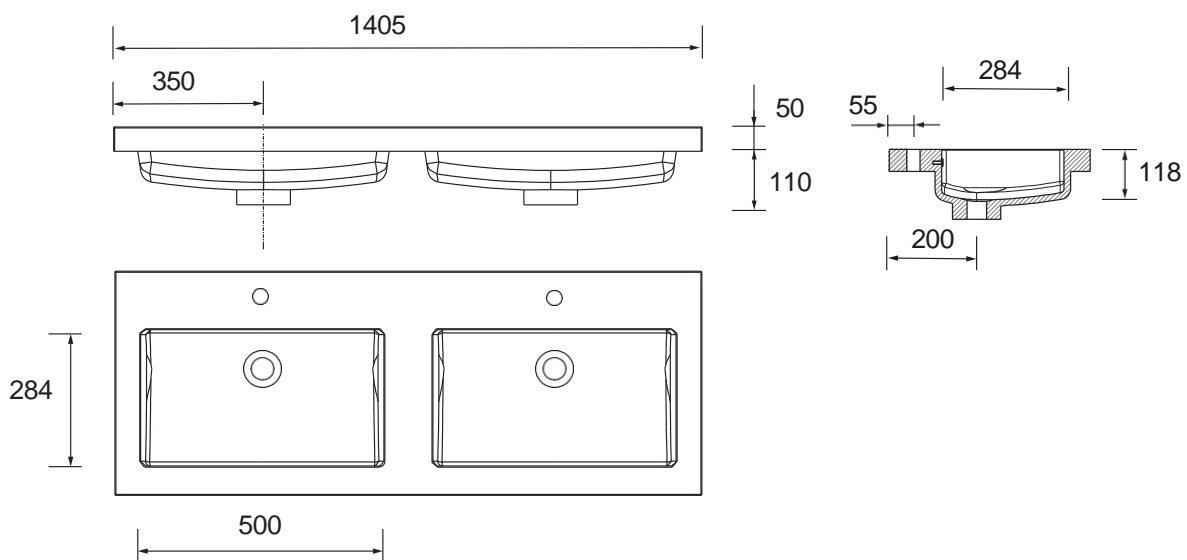
Gloss white



Technical characteristics

- High gloss white mineral load integrated basin.
- Resistant to chemical products and scratching.
- Recyclable.
- Basin with overflow.
- Syphon, clicker plug and tap not included.

Product dimensions



VILNA - Integrated basin 1605 mm



Finish



White

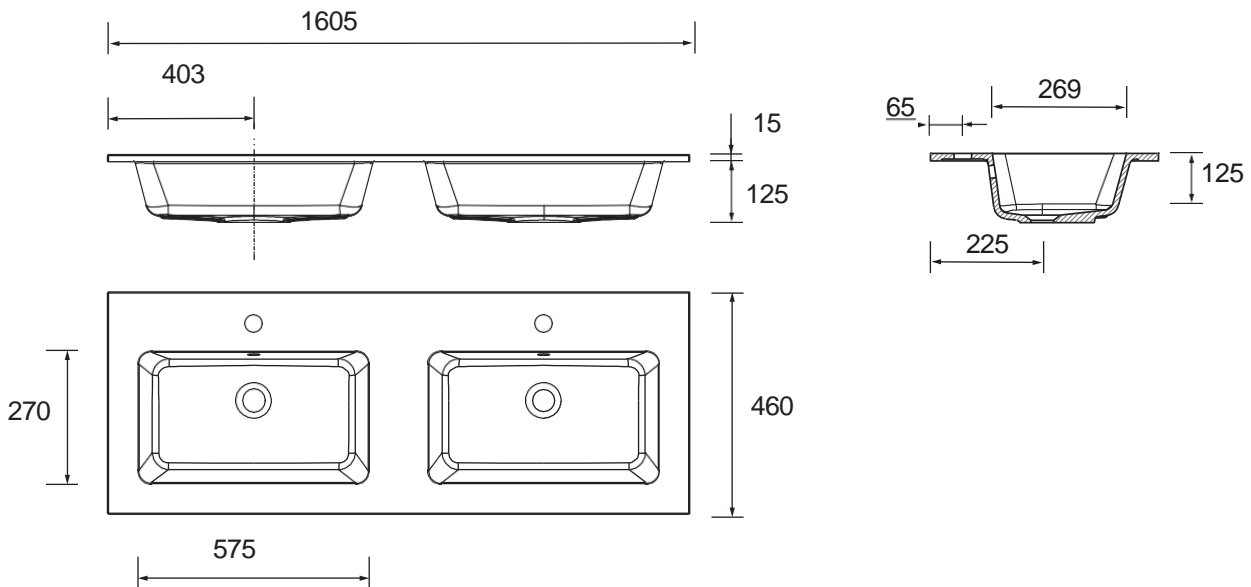
Technical characteristics

Basins (15 mm):

Basins manufactured in Mineral solid: compound material made of natural mineral loads and resin. Covered with an opaque aesthetic effect coating. This coating combines excellent strength characteristics with complete surface re-establishment.

Chrome and white overflows included.
 Syphon, pop-up drain stopper and tap not included.

Product dimensions



16 mm thick basin vanity tops



E-05

E-05
certificate

Exterior finishes



Gloss white



Matte white



Matte black



Matte blue



Oak



Walnut



Natural

Technical characteristics

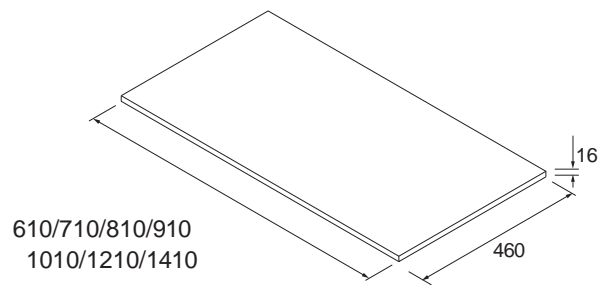
Manufacturing (th.=16 mm):

- Oak, Walnut, Natural, Gloss white, Matte white, Walnut black, Matte blue: laminated particle board.

* All the boards used in manufacturing this furniture are classified as E05 grade with low formaldehyde content.

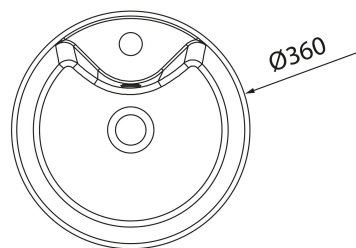
*Edges as per design: PVC, ABS. (edging with PUR adhesive)

Vanity top measurements

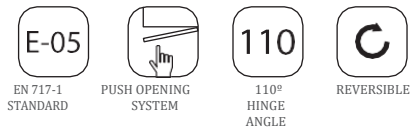


Compatible basins

Top basin: Lisboa



ALLIANCE - Wall-mounted vanity unit with 1 door



Exterior finishes



Technical specifications

Doors and sides (th.=16 mm):

- Matte white, Matte black, Natural, Oak, Walnut: laminated particle board. "Testa" design PVC edging with PUR adhesive.

Internal structure manufacturing (th.=16 mm): laminated particle board. Onix finish.
1 fixed shelf.

* All the boards used in manufacturing this furniture are classified as E05 grade with low formaldehyde content.

*Edges as per design: PVC, ABS. (edging with PUR adhesive)

Interior finish



Onix

Packaging dimensions and weight

	300 x 540
Length (mm)	360
Depth (mm)	510
Height (mm)	620
Net weight (kg)	11.7
Gross weight (kg)	13.6

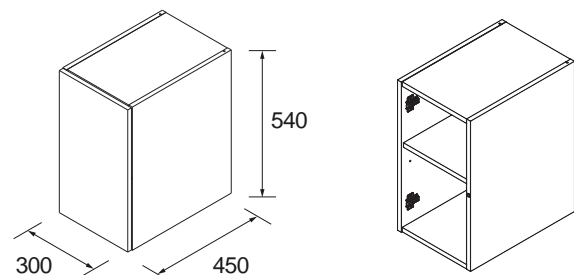
Fittings

Hooks: high-strength hook with three separate adjustments accessible from the front. Load capacity of 70 kg.

Hinge: 110° angle Hettich hinge.

Push: push opening system with adjustable activation piston.

Dimensions



ALLIANCE - Wall-mounted cabinet with 2 spaces



E-05

EN 717-1
STANDARD

Exterior finishes



Matte white

Matte black

Natural

Oak

Walnut

Technical specifications

Doors and sides (th.=16 mm):

- Matte white, Matte black, Natural, Oak, Walnut: laminated particle board. "Testa" design PVC edging with PUR adhesive.

* All the boards used in manufacturing this furniture are classified as E05 grade with low formaldehyde content.

*Edges as per design: PVC, ABS. (edging with PUR adhesive)

Packaging dimensions and weight

	300 x 540
Length (mm)	360
Depth (mm)	510
Height (mm)	620
Net weight (kg)	9.7
Gross weight (kg)	11.6

Fittings

Hooks: high-strength hook with three separate adjustments accessible from the front. Load capacity of 70 kg.

Dimensions

