

Sani Wi-Fi

400-600-800-1000

User manual

NL 3

EN 16

DE 28

FR 41

SV 54

DA 65

CS 76

SK 87

RO 98



Model: Sani Wi-Fi

Date: 04/07/2024

Version: v5.1

EUROM[®]

POWERFUL PRODUCTS SINCE 1974

Model:	Product code:
Sani 400 Wi-Fi White	350067
Sani 400 Wi-Fi White (Swiss plug)	350098
Sani 400 Wi-Fi Black	350135
Sani 400 Wi-Fi Black (Swiss plug)	350142
Sani 600 Wi-Fi White	350333
Sani 600 Wi-Fi White (Swiss plug)	350340
Sani 600 Wi-Fi Black	350357
Sani 600 Wi-Fi Black (Swiss plug)	350364
Sani 800 Wi-Fi White	350371
Sani 800 Wi-Fi White (Swiss plug)	350388
Sani 800 Wi-Fi Black	350395
Sani 800 Wi-Fi Black (Swiss plug)	350401
Sani 1000 Wi-Fi White	350456
Sani 1000 Wi-Fi White (Swiss plug)	350463
Sani 1000 Wi-Fi Black	350470

Mandatory warnings

Please read and understand these safety instructions. Incorrect use can cause injury and will void EUROM's warranty.



WARNING

- The heater must not be used if the glass panels are damaged.
- This appliance is intended only for drying textiles washed in water.
- Plastic bags can be dangerous. To avoid danger of suffocation, keep this bag away from babies and children.



CAUTION

- Some parts of this product can become very hot and cause burns. Particular attention has to be given where children and vulnerable people are present.
- In order to avoid a hazard due to inadvertent resetting of the thermal cut-out, this appliance must not be supplied through an external switching device, such as a timer, or connected to a circuit that is regularly switched on and off by the utility.



WARNING

In order to avoid overheating, do not cover the heater.

- Children of less than 3 years should be kept away unless continuously supervised.
- Children aged from 3 years and less than 8 years shall only switch on/off the appliance provided that it has been placed or installed in its intended normal operating position and they have been given supervision or instruction concerning use of the appliance in a safe way and understand the hazards involved. Children aged from 3 years and less than 8 years shall not plug in, regulate and clean the appliance or perform user maintenance.
- This appliance can be used by children aged from 8 years and above and persons with reduced physical, sensory or mental capabilities or lack of experience and knowledge if they have been given supervision or instruction concerning use of the appliance in a safe way and understand the hazards involved. Children shall not play with appliance. Cleaning and user maintenance shall not be done by children without supervision.
- Heater must not be located immediately below a socket-outlet.
- If the supply cord is damaged, it must be replaced by manufacturer, its service agent or similarly qualified persons in order to avoid a hazard.
- Heater is to be installed so that switches and other controls cannot be touched by a person in the bath or shower.

The device is equipped with an overheating protection, which switches it off automatically in case of internal overheating. Switch the device off, unplug the power plug, remove the source of overheating, let it cool down and use as normal. Do not use the device if the source of overheating cannot be traced or if the problem persists, but always contact your supplier.

This device is not suitable for use by persons with a physical, sensory or mental disability, or lack of experience and knowledge (including children). Keep the device out of reach of children, unqualified persons and pets. Never leave the device unattended while it is in operation.

Placement in bathroom

This device is safe to use in the bathroom when the device is mounted:

- in zone 3 of a toilet room or bathroom with a bath, shower with screen or shower without screen, see Figure 1;
- in a fixed position;
- out of reach for operation by a person in a bath or shower.

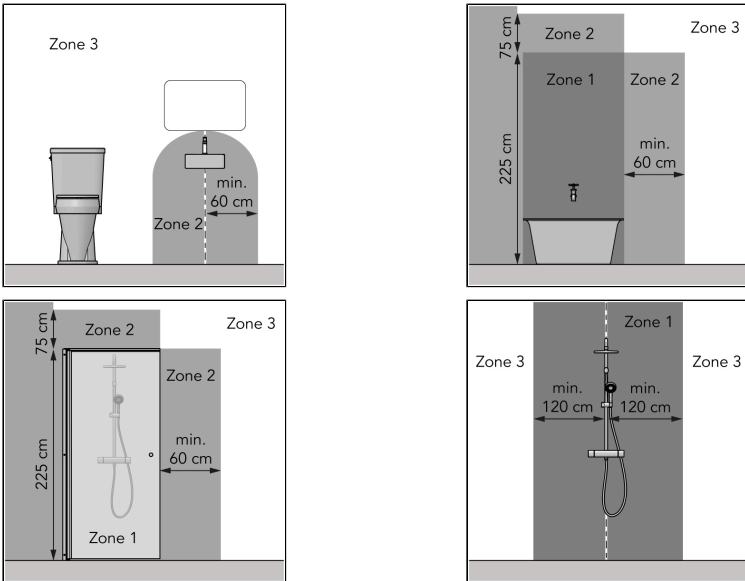


Figure 1.

General safety instructions



WARNING

- Prevent splashing water on or in the device.
- Do not immerse any part of the device in water or other liquids.
- Never insert fingers or other objects into the openings of the device.
- Do not expose the device to strong vibrations or mechanical stress.



WARNING

The device becomes very hot during use. Do not touch the device during use or within five minutes after use.



CAUTION

Only use the towel rails to dry towels. Do not cover the device otherwise, during usage or after use while the device is still hot. To reduce the risk of fire, keep textiles (other than towels), curtains, tent canvasses and other flammable material at a minimum distance of 1 meter from the device.

Safety during operation



WARNING

Do not use the device:

- outdoors or in a small space (< 7 m³);
- lying, leaning or standing;
- if any parts are dirty or wet;
- near large objects, like behind a door, under a shelf or near a cupboard;
- near a water source, like a bath, shower, swimming pool or open window;
- near or in a dusty and dirty environment, like a construction site;
- near flammable materials, liquids or fumes, e.g. in a shed, stable or green house;
- near other heat sources and open fire;
- near, under or facing a socket outlet;
- with an appliance that automatically switches the device on, such as a timer, dimmer or any other device.

If the device, the electric cable or plug shows damage or is malfunctioning, immediately take the appliance out of use and disconnect the power supply.

Warranty

EUROM offers a 60-month warranty on this device from the date of purchase. The warranty does not cover wear and tear from normal use. The warranty expires if a defect is the result of unintentional or careless use of the device. The manufacturer, importer and supplier are not liable for incorrect connections.

Introduction

Thank you for choosing this EUROM device. You have purchased a quality device that you will enjoy for many years. Using this device with respect and care will reduce the risk of personal injury or material damage.




CAUTION


It is important to read and understand this instruction manual before assembling, installing and using the device.

This manual describes the correct and safe use of this device. Keep this manual for future reference. The manual is an essential part of the device and must be given to the new owner

upon resale or exchange. This manual has been compiled with the utmost care. Nevertheless, we reserve the right to improve and adjust this manual at any time. The images used may differ.

The following symbols and terms are used in this manual to alert the reader to safety issues and important information:

	<p>WARNING</p> <p>Indicates a hazardous situation which, if the safety instructions are not followed, can lead to injuries to the operator or bystanders, light and/or moderate damage to the product or to the environment.</p>
---	---

	<p>CAUTION</p> <p>Indicates a hazardous situation which, if the safety instructions are not followed, can lead to light and/or moderate damage to the product or to the environment.</p>
---	---

Identification

EUROM [®]	Sani *** Wi-Fi
POWERFUL PRODUCTS SINCE 1974	Art.nr. ***** Batch *****
220-240V ~ 50Hz - *** Watt	
     	
EUROM - KOKOSSTRAAT 20 - 8281 JC - GENEMUIDEN - THE NETHERLANDS	

Figure 2.





EUROM [®]	Sani *** Wi-Fi Swiss plug
POWERFUL PRODUCTS SINCE 1974	Art.nr. ***** Batch *****
220-240V ~ 50Hz - *** Watt	
   	
EUROM - KOKOSSTRAAT 20 - 8281 JC - GENEMUIDEN - THE NETHERLANDS	

Figure 3.

Specifications

Type	Sani 400 Wi-Fi	Sani 600 Wi-Fi	Sani 800 Wi-Fi	Sani 1000 Wi-Fi
Product size:	5 x 46.5 x 85 cm	5 x 46.5 x 115 cm	5 x 55 x 115 cm	5 x 55 x 127 cm
Weight:	6.74 kg	9.0 kg	10.52 kg	11.50 kg
Voltage:	220-240V~ 50Hz	220-240V~ 50Hz	220-240V~ 50Hz	220-240V~ 50Hz

Type	Sani 400 Wi-Fi	Sani 600 Wi-Fi	Sani 800 Wi-Fi	Sani 1000 Wi-Fi
Power:	400W	600W	800W	1000W
Protection rating:	IP24	IP24	IP24	IP24
Protective class:	Class I	Class I	Class I	Class I

Hereby, Euromac b.v. declares this product is in compliance with Directive 2014/53/EU.

The full text of the EU declaration of conformity is available at the following internet address: www.eurom.nl/declaration-of-conformity.

- Wi-Fi and Bluetooth Frequency Band: 2.4 ~ 2.4835GHz
- Maximum radio-frequency power transmitted in this frequency band(s):
 - Wi-Fi: 17.5dBm
 - Bluetooth: 6.5dBm

Description

The Sani Wi-Fi is an easy-to-use electric bathroom heater for use in zone 3 of the bathroom (see Placement in bathroom). The Sani Wi-Fi can be used with the Eurom Smart App.

Unboxing

1. Main device
2. Towel rail
3. ON/OFF switch
4. Control panel and LED display
5. Power plug

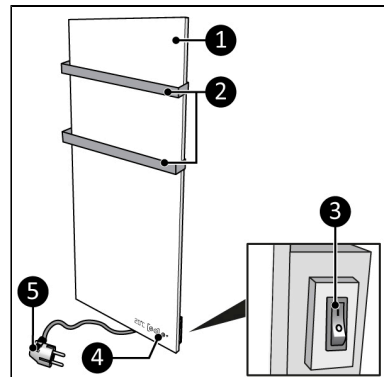


Figure 4.

Control panel and display

1. Wi-Fi indication
2. Timer button
3. Square bracket
4. Minus button
5. Plus button
6. Temperature indication

The LED-screen will extinguish automatically after ± 15 seconds, the square brackets remain visible. Touch the device between the square brackets (Figure 5, pos. 3) to light it up again.

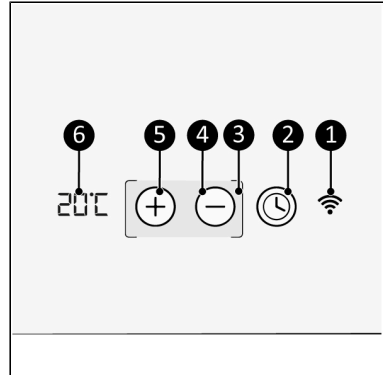


Figure 5.

Transport and storage

- Clean the device before storing it.
- Transport the device in an upright position.
- Store the device in an upright position, in its original packaging, in a cool, dry and dust-free area.

Installation

The device is packed in one box. Remove all packaging material and check that the device is not damaged. Do not use the device if it is damaged, but always contact your supplier. Keep the packaging for safe storage and transport.

Wall mounting



WARNING

The wall used for mounting must be made from non-flammable material and should be able to withstand a minimum temperature of 125 °C.



CAUTION

Make sure to use suitable fastening materials, depending on the surface. Never block the space between the device and the wall.

1. Place the device on a non-flammable and solid wall.
2. Place the device with a minimum distance (Figure 6) of:
 - 50 cm from the ceiling;
 - 20 cm from the side walls;
 - 10 cm from the floor;
 - 50 cm clearance on the front side.
3. Do not mount the device:
 - immediately below a socket outlet;
 - on a ceiling or roof.

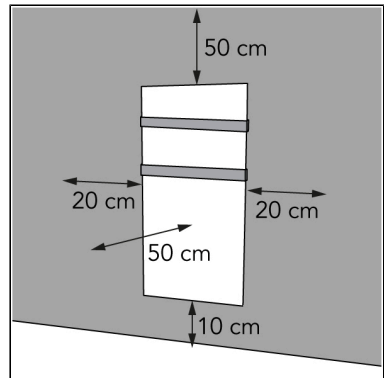


Figure 6.

4. Place the wall bracket (Figure 7, pos. 1) against the wall and mark the five holes.
5. Drill five holes at the marked spots.
6. Place plugs (Figure 7, pos. 3).
7. Screw and tighten the wall bracket (Figure 7, pos. 1) to the wall with five large screws (Figure 7, pos. 2) using a Phillips screwdriver (Figure 7, pos. 4).

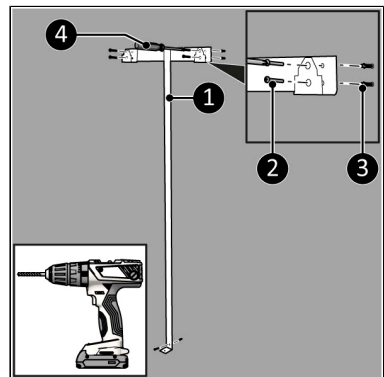


Figure 7.

8. Lay the device down on a soft steady surface (Figure 8, pos. 4).
9. Place the two towel rails (Figure 8, pos. 3) on two of the three possible locations on the main body (Figure 8, pos.).
10. Screw and tighten the two towel rails (Figure 8, pos. 3) with eight small screws (Figure 8, pos. 2) using a Philips screwdriver (Figure 8, pos. 1).

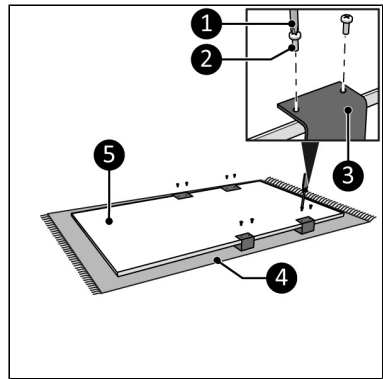


Figure 8.

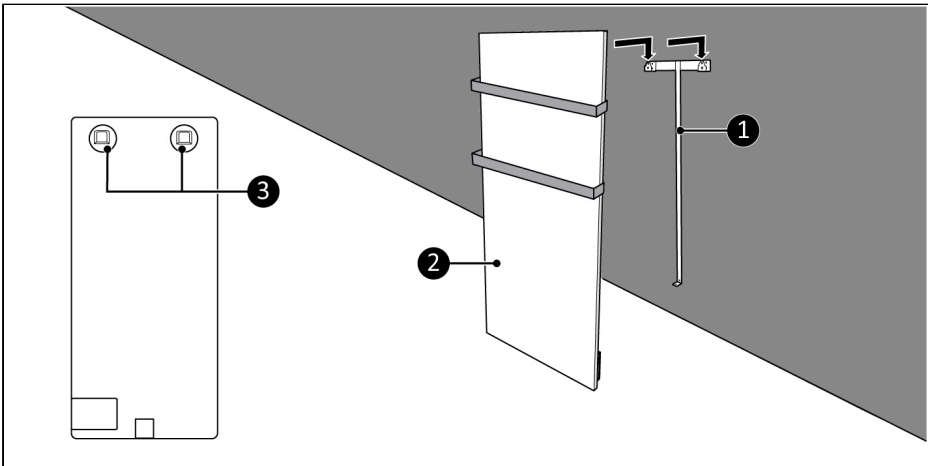


Figure 9.

11. Place the device brackets (Figure 9, pos. 3) over the wall bracket (Figure 9, pos. 1).
12. Slide the device (Figure 9, pos. 2) into the openings of the wall bracket.
13. Screw and tighten the device (Figure 10, pos. 1) with a small screw (Figure 10, pos. 3) to the wall bracket using a Phillips screwdriver (Figure 10, pos. 2).

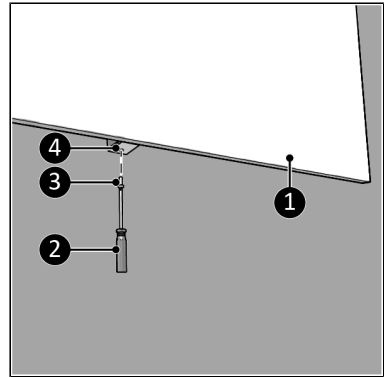


Figure 10.

Installation



WARNING

- Do not put the power plug into the wall socket before the device is mounted or placed correctly.
- Do not use an extension cable; this can cause overheating and fire. If using an extension cable is unavoidable, make sure it is undamaged and earthed. Use an extension cable with a minimum power of 800 Watt. Always unwind the extension cable completely to prevent overheating.



CAUTION

Make sure that the main voltage is the same as indicated on the identification label of the device. All electrical connections must stay dry under all circumstances.

1. Make sure the device is correctly mounted.
2. Make sure the ON/OFF switch is in the OFF position (Figure 11, pos. 2).
3. Place the power plug (Figure 11, pos. 1) into an earthed wall socket that is easily accessible. Use an earthed wall socket with a minimum power of 800 Watt.

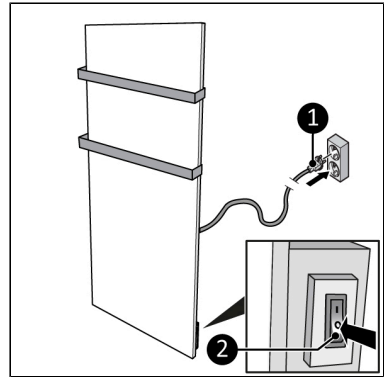


Figure 11.

Operation



WARNING

Before every use, make sure that:

- you operate the device with dry hands;
- the device is clean and dry;
- the device is not damaged;
- the device is not covered or blocked;
- the device is securely mounted.



CAUTION

When the device is turned on or off, it may emit a sound. This is the material expanding and shrinking during heating and cooling down.

1. Set the ON/OFF switch to the ON position (Figure 12, pos. 1).
2. The control panel and display (Figure 12, pos. 2) will light up.
3. Press the Plus or Minus button to set the desired temperature, from 0 °C to 37 °C. The device starts heating when the set temperature is higher than the ambient temperature.
4. The display will first show the set temperature for 3 seconds followed by the ambient temperature.

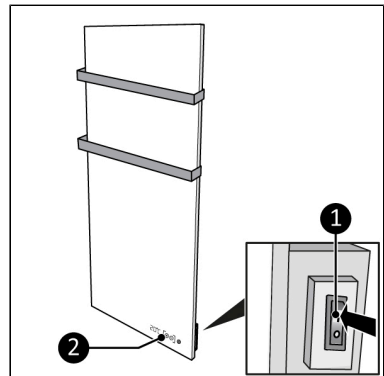


Figure 12.

Open window mode

1. Simultaneously press the Timer-button and + button for 3 seconds to activate the Open window detection system. The display will show OPE for 3 seconds.
2. When the ambient temperature decreases 5°C or more within 15 minutes, the device will go in standby mode and the display will show OPE for 30 minutes.
3. Simultaneously press the Timer button and - button for 3 seconds to deactivate the Open window detection system. OPE will flash on the display for 3 seconds.

Set the countdown timer

1. Press the Timer button once or multiple times to set the countdown timer, from 00 to 24 in whole hours.

Once the countdown is over, the device turns off. The device is turned on again when you press the plus button for 3 seconds. The main switch then does not need to be turned on.

Eurom Smart App

The device can be operated using an app on a smartphone or tablet. The Eurom Smart App can be used to:

- switch the device on and off (without anticipation);
- regulate the temperature;
- set on and off the timer settings daily, on the weekly timer;

1. Open the Eurom Smart App manual with the QR code (Figure 13) or go to www.eurom.nl/nl/manuals.
2. Complete the steps in the Eurom Smart App manual.
 - When the device is connected with Wi-Fi, the Wi-Fi symbol appears on the screen.
 - If the Wi-Fi symbol is blinking there is no connection.

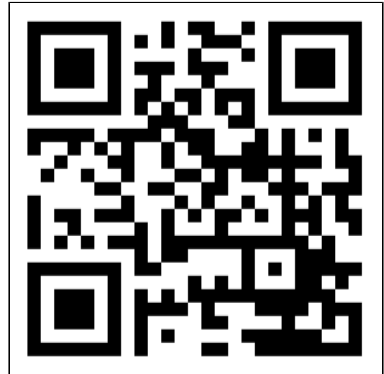


Figure 13.

Smart Timer

1. Create a schedule with days and times in the Eurom Smart App. Timer settings set in the app:
 - will be stored on the device;
 - will not be visible on the device;
 - will remain available if Wi-Fi disconnects;
 - will remain available if the device is switched off or unplugged;
 - can only be removed via the app.
2. Check the data in the app regularly.

Reset Wi-Fi connection

1. Press and hold the Timer button until the Wi-Fi symbol starts blinking alternating fast and slow. Existing connections will be deleted, the Wi-Fi symbol will start blinking and a new connection will be made.

Switch off Wi-Fi connection

1. Press and hold the Minus button until a short beep sounds. The Wi-Fi is switched off and the Wi-Fi symbol will disappear from the screen.
2. Press and hold the Minus button until a short beep sounds. The Wi-Fi is switched on and the Wi-Fi symbol will appear on the screen.

After operation



CAUTION

Do not use the power cable to unplug or carry the device. Do not wind the power cable too tightly or in sharp corners. Do not wrap the power cable around the device.

1. Make sure the ON/OFF switch is in the OFF position.
2. Disconnect the power plug from the power outlet.
3. Let the device cool down before touching it.
4. Wind the power cable.

Maintenance



WARNING

Do not perform any repairs or modifications to this device.

Maintenance and repairs must be carried out by a EUROM authorized professional. If the electric cable and/or electric plug is damaged, it should be replaced by the manufacturer or its service employee or persons with similar qualifications to prevent risks.

Cleaning



WARNING

The device becomes very hot. Make sure the device is turned off, unplugged and completely cooled down.

CAUTION



Do not use:

- scouring pads;
- hard brushes;
- flammable, aggressive or chemical cleaning products.

Prevent water from entering the device. Do not immerse any part of the device in water or other liquids.

It is recommended to clean the device after each use and prior to storage.

1. Wipe the device with a damp, clean, soft, lint-free cloth or a soft brush.
2. Let the device dry completely prior to use and storage.

Disposal



This marking indicates that this product should not be disposed of with other household waste throughout the EU. To prevent possible harm to the environment or human health from uncontrolled waste disposal, recycle it responsibly to promote the sustainable reuse of material resources. To return your used device, please use the return and collection systems or contact the retailer where the product was purchased. They can take this product for environmentally safe recycling.

Attachments

Information requirement for the electric local space heaters							
Model identifier(s): Sani 400 Wi-Fi							
Item	Symbol	Value	Unit	Item	Unit		
Heat output				Type of heat input, for electric storage local space heaters only (select one)			
Nominal heat output	P _{nom}	0.4	kW	manual heat charge control, with integrated thermostat	No		
Minimum heat output (indicative)	P _{min}	0.0	kW	manual heat charge control with room and/or outdoor temperature feedback	No		
Maximum continuous heat output	P _{max,c}	0.4	kW	electronic heat charge control with room and/or outdoor temperature feedback	No		
Auxiliary electricity consumption				fan assisted heat output	No		
At nominal heat output	e _{lmax}	0.4	kW	Type of heat output/room temperature control (select one)			
At minimum heat output	e _{lmin}	0.0	kW	single stage heat output and no room temperature control	No		
In standby mode	e _{lSB}	0.001	kW	two or more manual stages, no room temperature control	No		
				with mechanic thermostat room temperature control	No		
				with electronic room temperature control	No		
				electronic room temperature control plus day timer	No		
				electronic room temperature control plus week timer	Yes		
				Other control options (multiple selections possible)			
				room temperature control, with presence detection	No		
				room temperature control, with open window detection	Yes		
				with distance control option	Yes		
				with adaptive start control	No		
				with working time limitation	No		
with black bulb sensor	No						
Contact details	Eurom - Kokosstraat 20 - 8281 JC - Genemuiden - The Netherlands						

Information requirement for the electric local space heaters							
Model identifier(s): Sani 600 Wi-Fi							
Item	Symbol	Value	Unit	Item	Unit		
Heat output			Type of heat input, for electric storage local space heaters only (select one)				
Nominal heat output	P _{nom}	0.6	kW	manual heat charge control, with integrated thermostat	No		
Minimum heat output (indicative)	P _{min}	0.0	kW	manual heat charge control with room and/or outdoor temperature feedback	No		
Maximum continuous heat output	P _{max,c}	0.6	kW	electronic heat charge control with room and/or outdoor temperature feedback	No		
Auxiliary electricity consumption			fan assisted heat output				
At nominal heat output	el _{max}	0.6	kW	Type of heat output/room temperature control (select one)			
At minimum heat output	el _{min}	0.0	kW	single stage heat output and no room temperature control	No		
In standby mode	el _{SB}	0.001	kW	two or more manual stages, no room temperature control	No		
				with mechanic thermostat room temperature control	No		
				with electronic room temperature control	No		
				electronic room temperature control plus day timer	No		
				electronic room temperature control plus week timer	Yes		
				Other control options (multiple selections possible)			
				room temperature control, with presence detection	No		
				room temperature control, with open window detection	Yes		
				with distance control option	Yes		
				with adaptive start control	No		
				with working time limitation	No		
with black bulb sensor	No						
Contact details	Eurom - Kokosstraat 20 - 8281 JC - Genemuiden - The Netherlands						

Information requirement for the electric local space heaters							
Model identifier(s): Sani 800 Wi-Fi							
Item	Symbol	Value	Unit	Item	Unit		
Heat output			Type of heat input, for electric storage local space heaters only (select one)				
Nominal heat output	P _{nom}	0.8	kW	manual heat charge control, with integrated thermostat	No		
Minimum heat output (indicative)	P _{min}	0.0	kW	manual heat charge control with room and/or outdoor temperature feedback	No		
Maximum continuous heat output	P _{max,c}	0.8	kW	electronic heat charge control with room and/or outdoor temperature feedback	No		
Auxiliary electricity consumption			fan assisted heat output				
At nominal heat output	el _{max}	0.8	kW	Type of heat output/room temperature control (select one)			
At minimum heat output	el _{min}	0.0	kW	single stage heat output and no room temperature control	No		
In standby mode	el _{SB}	0.001	kW	two or more manual stages, no room temperature control	No		
				with mechanic thermostat room temperature control	No		
				with electronic room temperature control	No		
				electronic room temperature control plus day timer	No		
				electronic room temperature control plus week timer	Yes		
				Other control options (multiple selections possible)			
				room temperature control, with presence detection	No		
				room temperature control, with open window detection	Yes		
				with distance control option	Yes		
				with adaptive start control	No		
				with working time limitation	No		
with black bulb sensor	No						
Contact details	Eurom - Kokosstraat 20 - 8281 JC - Genemuiden - The Netherlands						

Information requirement for the electric local space heaters							
Model identifier(s): Sani 1000 Wi-Fi							
Item	Symbol	Value	Unit	Item	Unit		
Heat output			Type of heat input, for electric storage local space heaters only (select one)				
Nominal heat output	P _{nom}	1.0	kW	manual heat charge control, with integrated thermostat	No		
Minimum heat output (indicative)	P _{min}	0.0	kW	manual heat charge control with room and/or outdoor temperature feedback	No		
Maximum continuous heat output	P _{max,c}	1.0	kW	electronic heat charge control with room and/or outdoor temperature feedback	No		
Auxiliary electricity consumption			fan assisted heat output		No		
At nominal heat output	el _{max}	1.0	kW	Type of heat output/room temperature control (select one)			
At minimum heat output	el _{min}	0.0	kW	single stage heat output and no room temperature control	No		
In standby mode	el _{SB}	0.001	kW	two or more manual stages, no room temperature control	No		
				with mechanic thermostat room temperature control	No		
				with electronic room temperature control	No		
				electronic room temperature control plus day timer	No		
				electronic room temperature control plus week timer	Yes		
				Other control options (multiple selections possible)			
				room temperature control, with presence detection	No		
				room temperature control, with open window detection	Yes		
				with distance control option	Yes		
				with adaptive start control	No		
				with working time limitation	No		
with black bulb sensor	No						
Contact details	Eurom - Kokosstraat 20 - 8281 JC - Genemuiden - The Netherlands						

Kokosstraat 20, 8281 JC Genemuiden, The Netherlands

T: (+31) 038 385 43 21

E: info@eurom.nl

I : www.eurom.nl

Model: Sani Wi-Fi

Date: 04/07/2024

Version: v5.1

EUROM[®]
POWERFUL PRODUCTS SINCE 1974