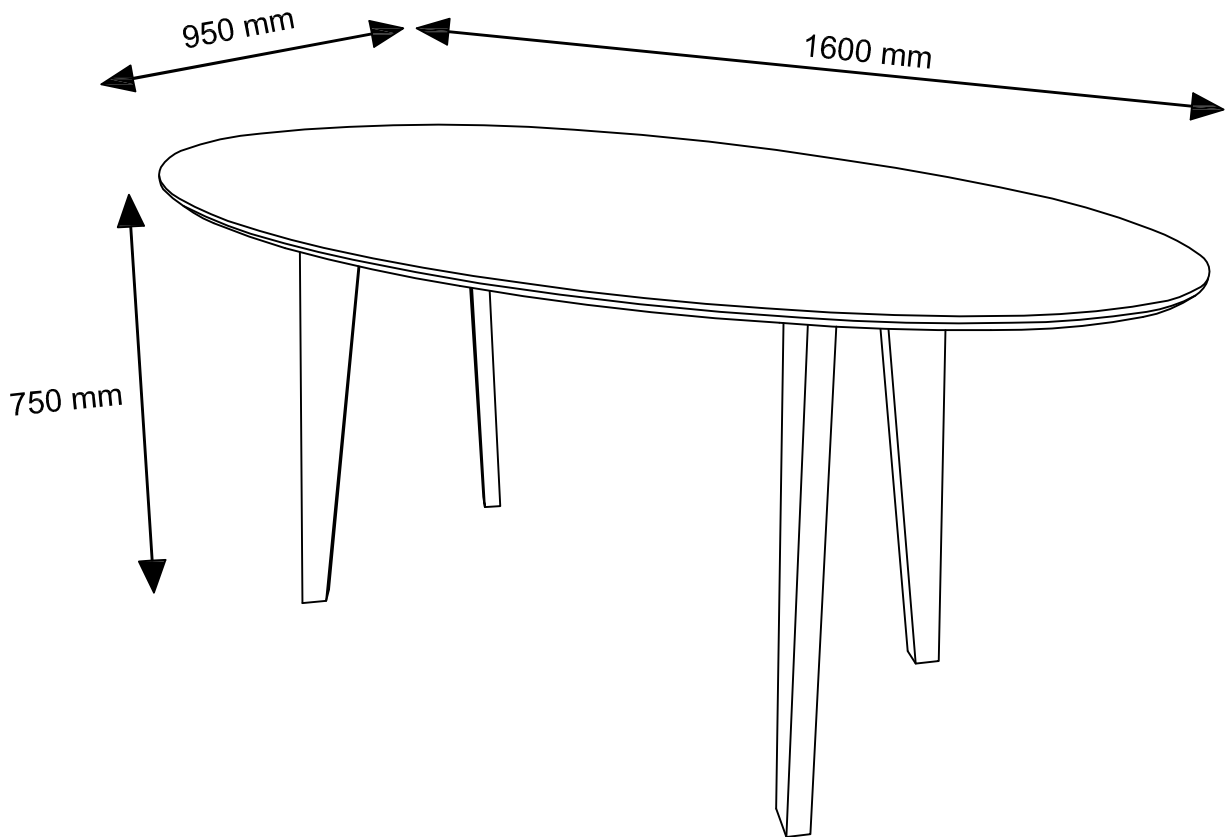


Assembly Instructions

Viborg Dining Table NATURAL OAK

518257-02



Keep these instructions for future reference

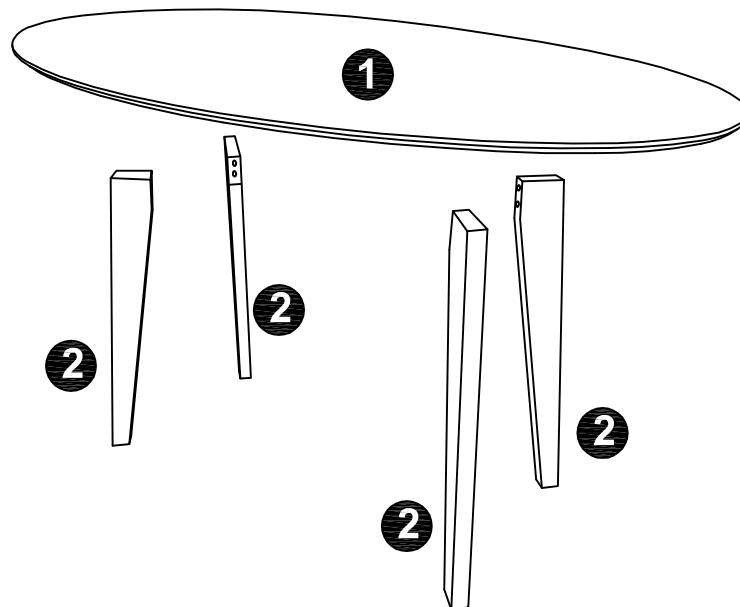
Assemble the furniture on a soft level surface to avoid damaging the furniture or your floor.

We recommend furniture be assembled near where they will be placed, to avoid moving the product unnecessarily once assembled.

If there is a need to move the furniture, please remove all loose items and have extra hands to help lift the furniture to the desired location. Dragging the furniture will damage both the furniture and the floor.

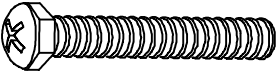

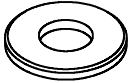
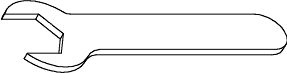
Regularly check and re-tighten (if necessary) all bolts on furniture that you have assembled yourself.

PARTS LIST



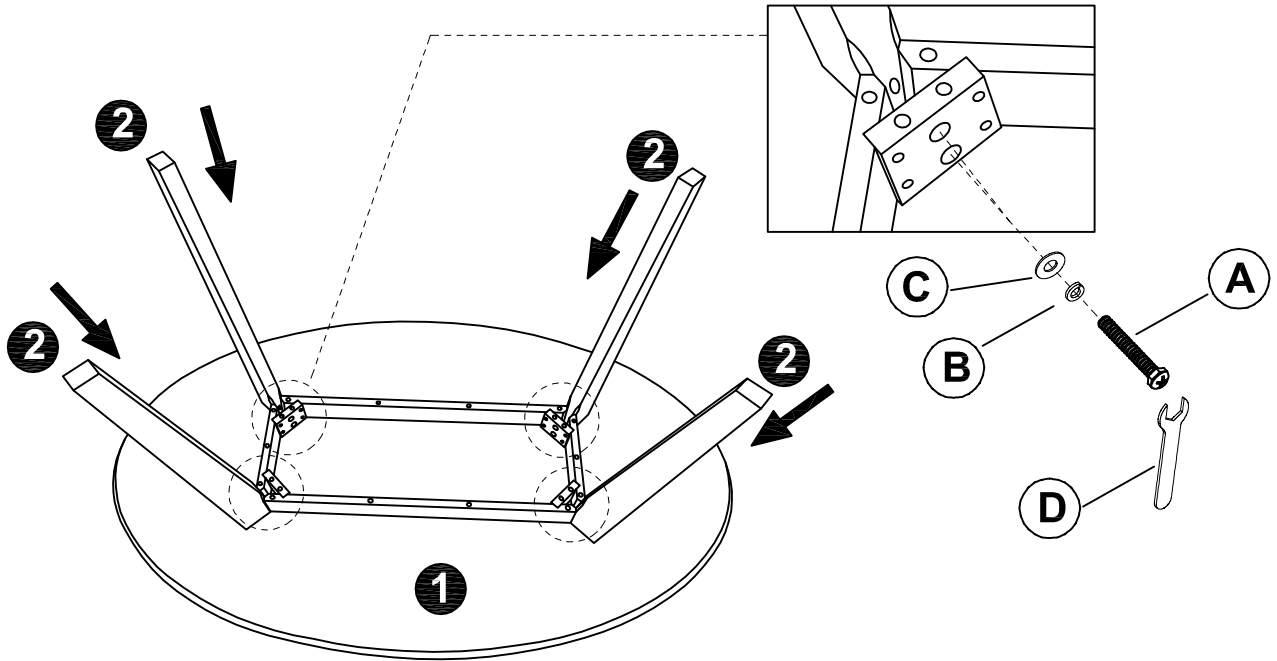
NO.	PARTS LIST	QTY
(1)	TABLE TOP	1
(2)	TABLE LEG	4

HARDWARE LIST

NO.	DESCRIPTION	QTY
A	HEX BOLT M8x80 MM 	8
B	SPRING WASHER M8 	8
C	FLAT WASHER M8 	8
D	SPANNER 12.8 	1

If you need help or have damaged or missing parts,
please call **LOMA Customer Helpline** 0345 340 5063

1



2

