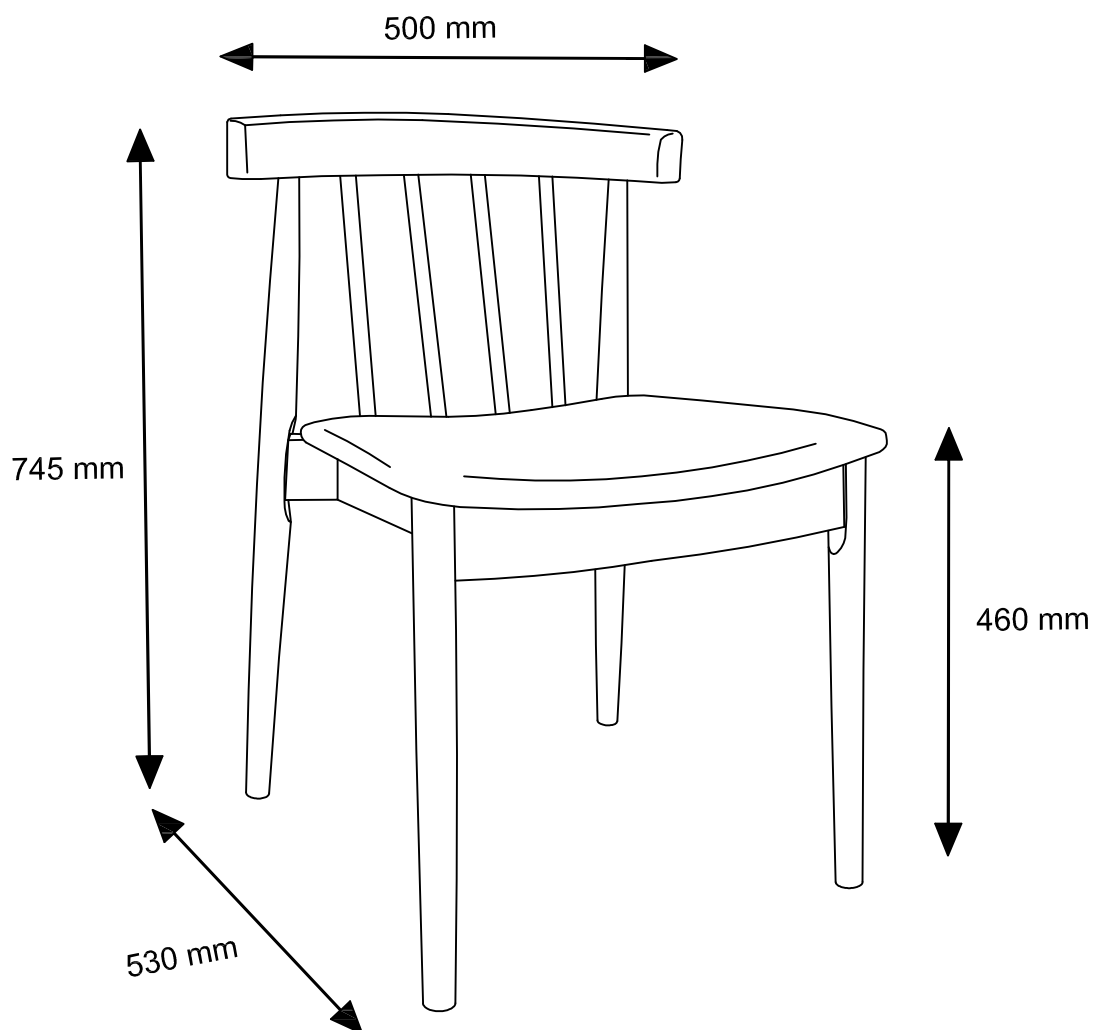


Assembly Instructions

Goran Dining Chair OAK

518260-01



Keep these instructions for future reference

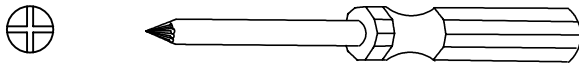
Assemble the furniture on a soft level surface to avoid damaging the furniture or your floor.

We recommend furniture be assembled near where they will be placed, to avoid moving the product unnecessarily once assembled.

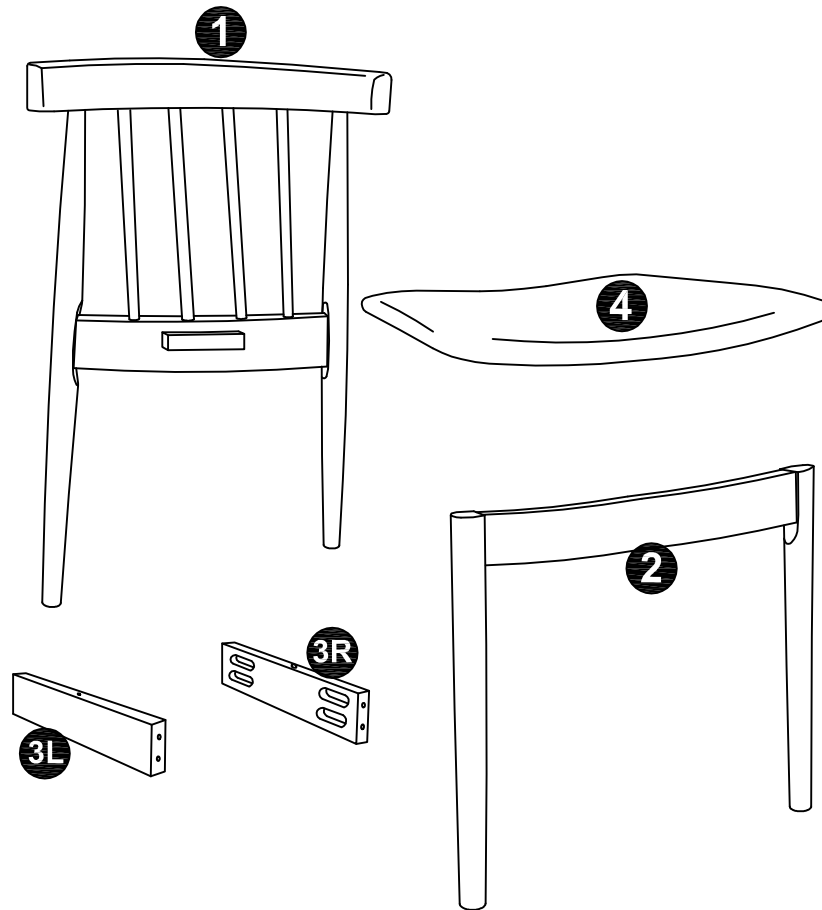
If there is a need to move the furniture, please remove all loose items and have extra hands to help lift the furniture to the desired location. Dragging the furniture will damage both the furniture and the floor.

Regularly check and re-tighten (if necessary) all bolts on furniture that you have assembled yourself.

Tools Required

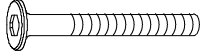

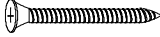



PARTS LIST



NO.	PARTS LIST	QTY
(1)	CHAIR BACK	1
(2)	FRONT LEG FRAME	1
(3)	SIDE RAIL (L & R)	2
(4)	CUSHION SEAT	1

HARDWARE LIST

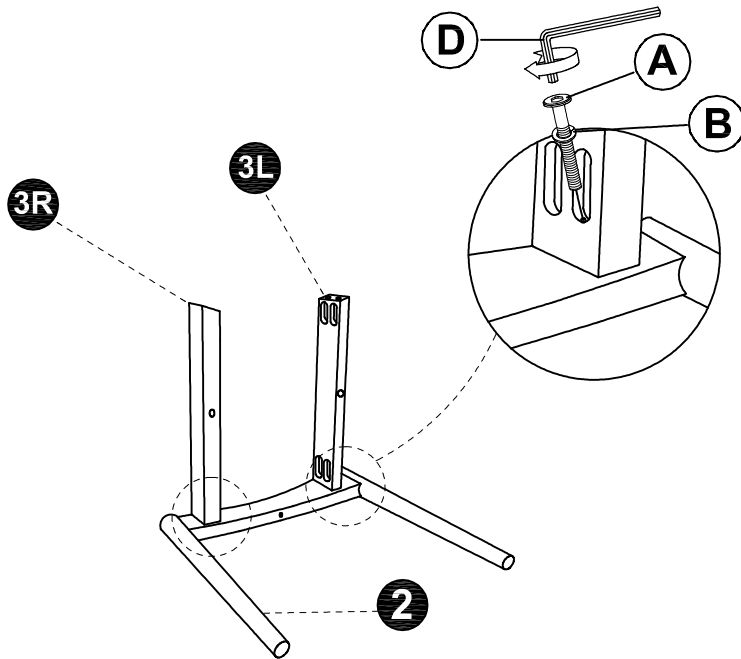
NO.	DESCRIPTION		QTY
A	BOLT M6x50 MM		10
B	SPRING WASHER M6		10
C	WOOD SCREW M4x32 MM		4
D	ALLEN KEY M4x110 MM		1

1

M6 x 50mm
A x 4

M6
B x 4

D x 1



80%

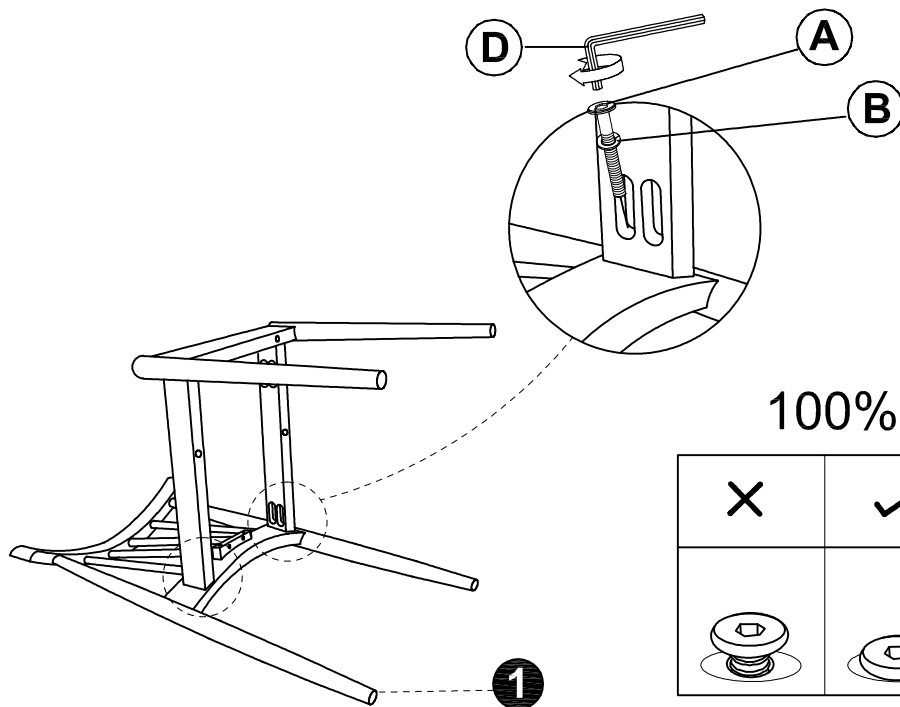
✓	✗

2

M6 x 50mm
A x 4

M6
B x 4

D x 1



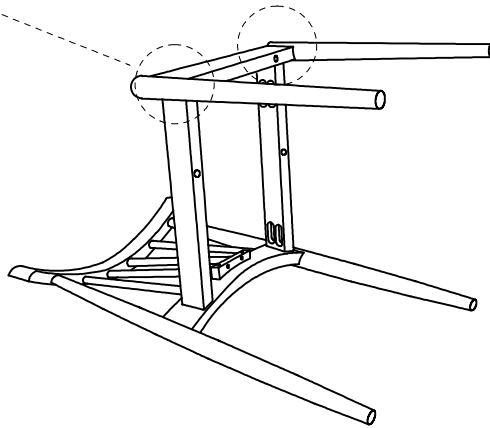
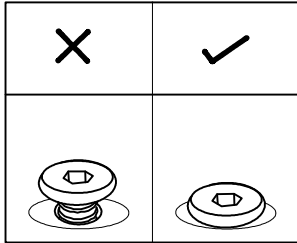
100%

✗	✓

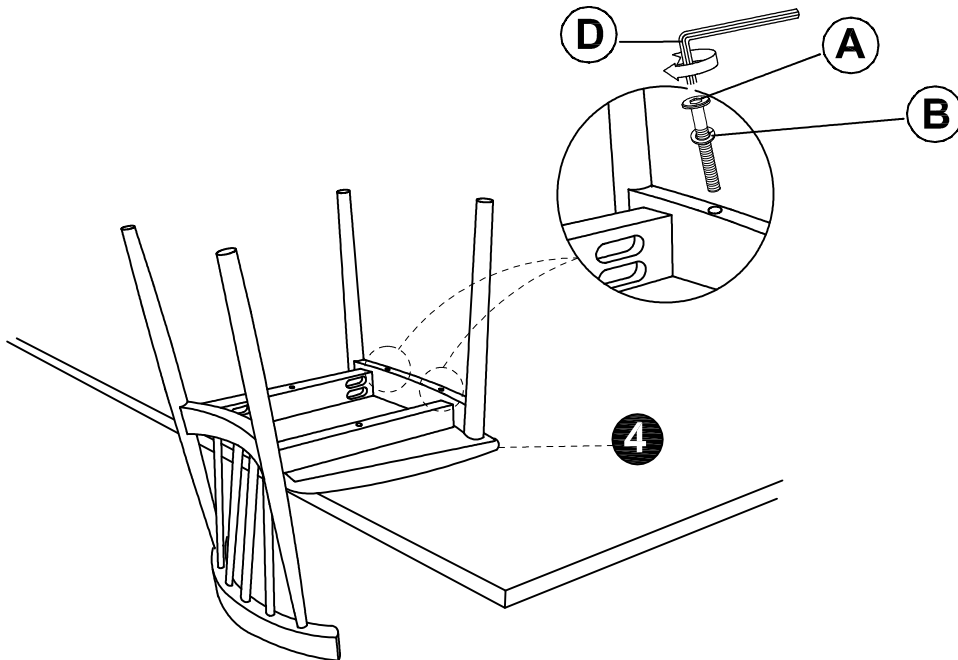
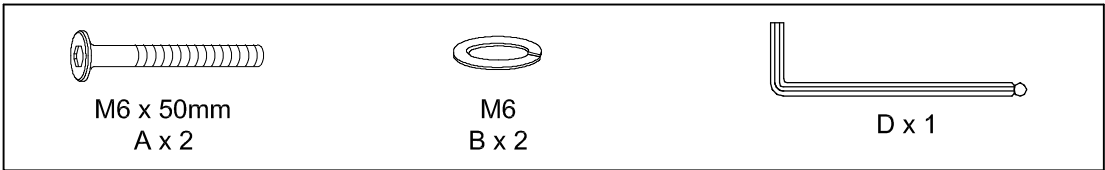
3



100%



4

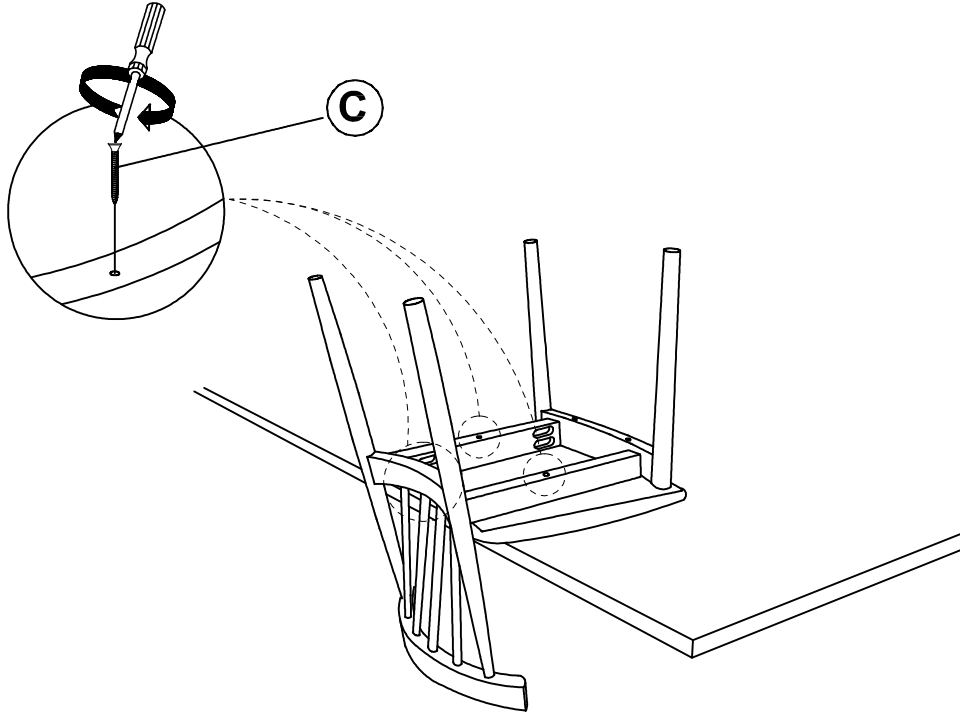
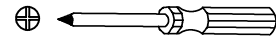


If you need help or have damaged or missing parts,
please call **LOMA Customer Helpline** 0345 340 5063

5



M4 x 32mm
C x 4



6

