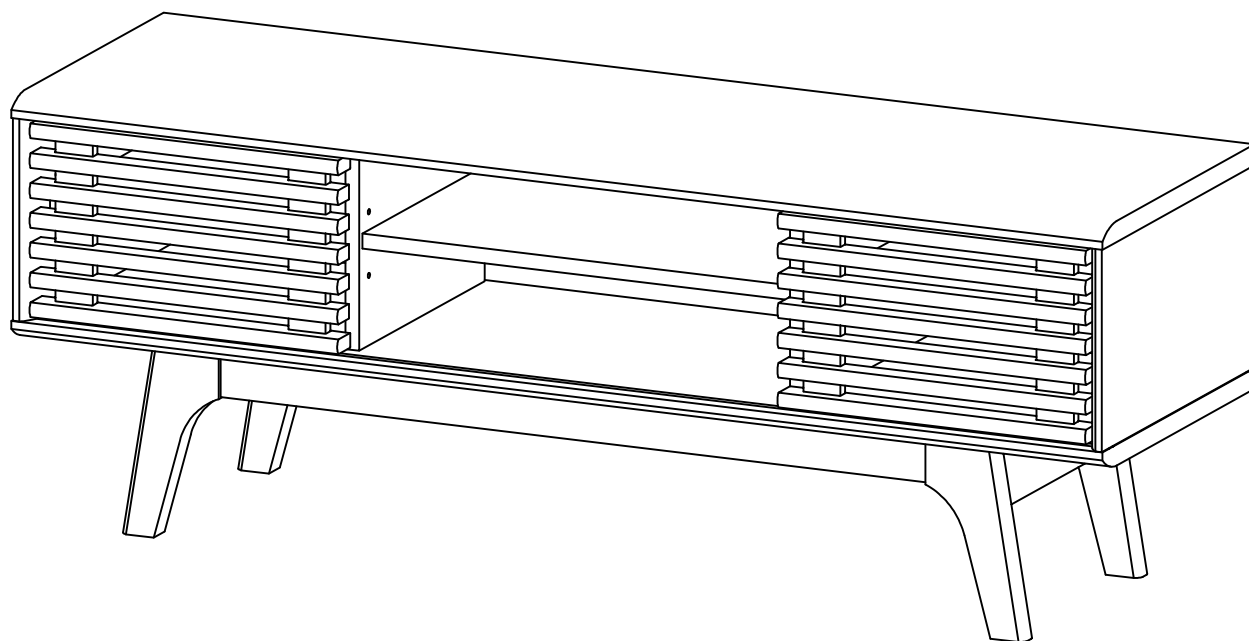


# Assembly Instructions

## Copen 120 TV Stand

### 517601



Keep these instructions for future reference

# WARNING

Read instructions carefully. Check no parts are missing.

Assemble the furniture on a soft level surface to avoid damaging the furniture or your floor.

Carefully identify each component, especially those that are similar.

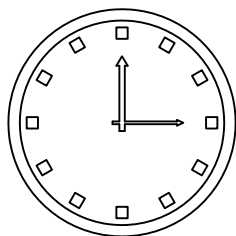
The most common mistake is getting things back to front.

Separate and identify each component from the hardware pack and rest each one in it's proper location before fastening.

We recommend furniture be assembled near where they will be placed, to avoid moving the product unnecessarily once assembled.

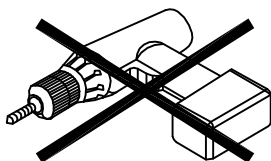
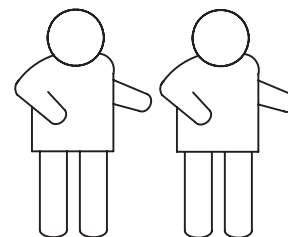
If there is a need to move the furniture, please remove all loose items and have extra hands to help lift the furniture to the desired location. Dragging the furniture will damage both the furniture and the floor.

Regularly check and re-tighten (if necessary) all bolts on furniture that you have assembled yourself.



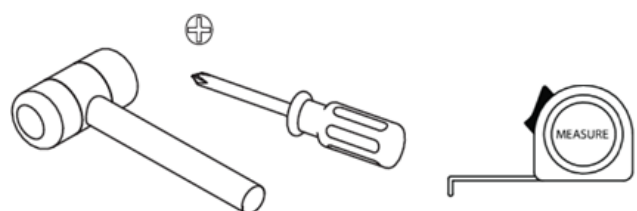
ALLOW 60 MIN

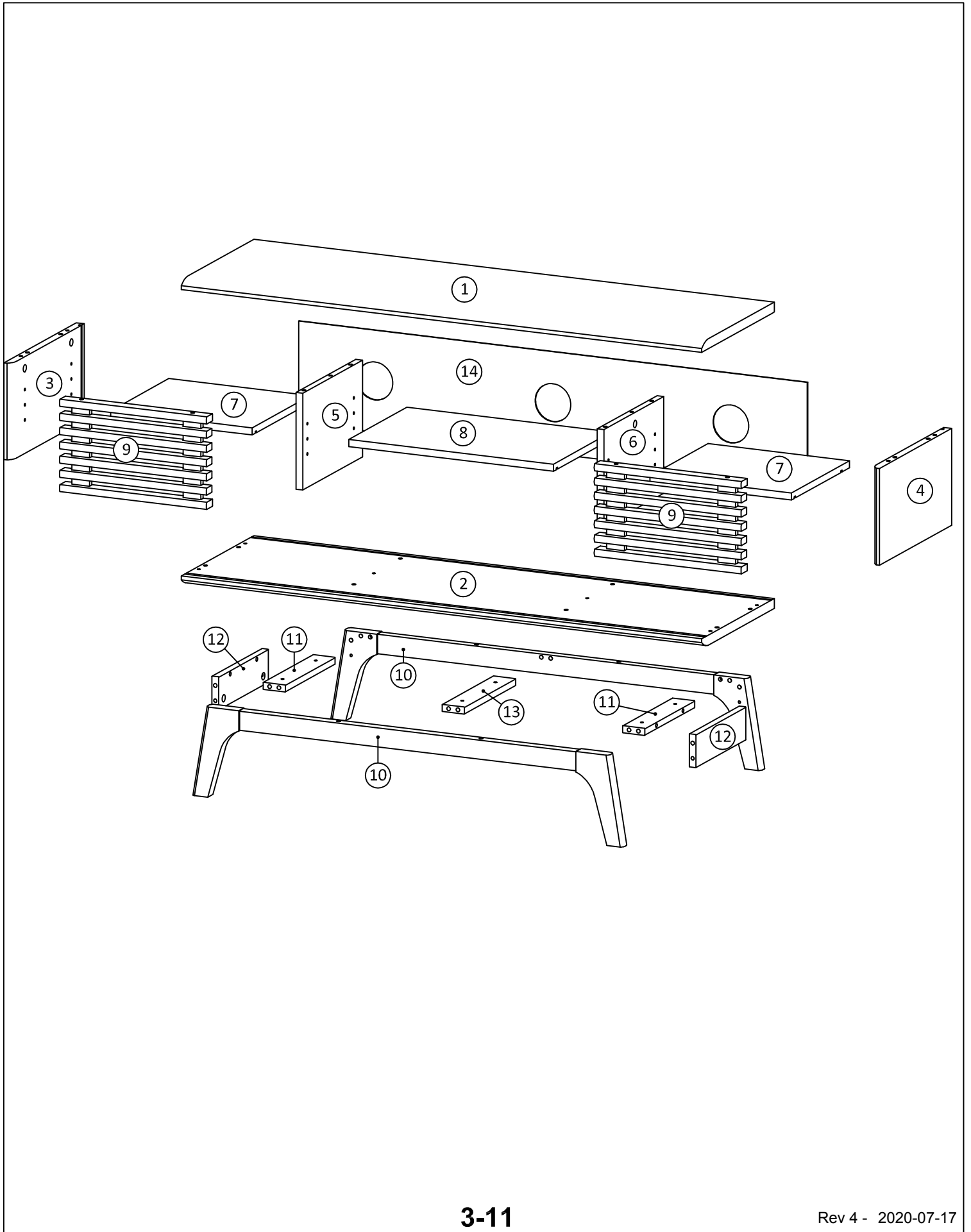
2 Persons Required



**DO NOT USE ON PRODUCT**












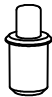

Tools Required



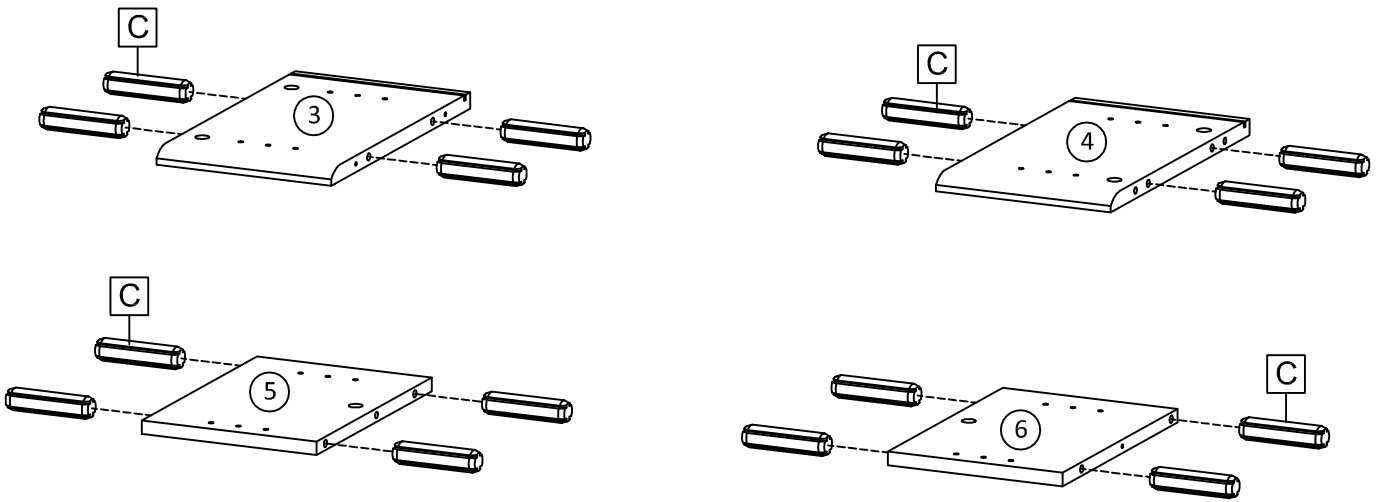


# CHECKLIST

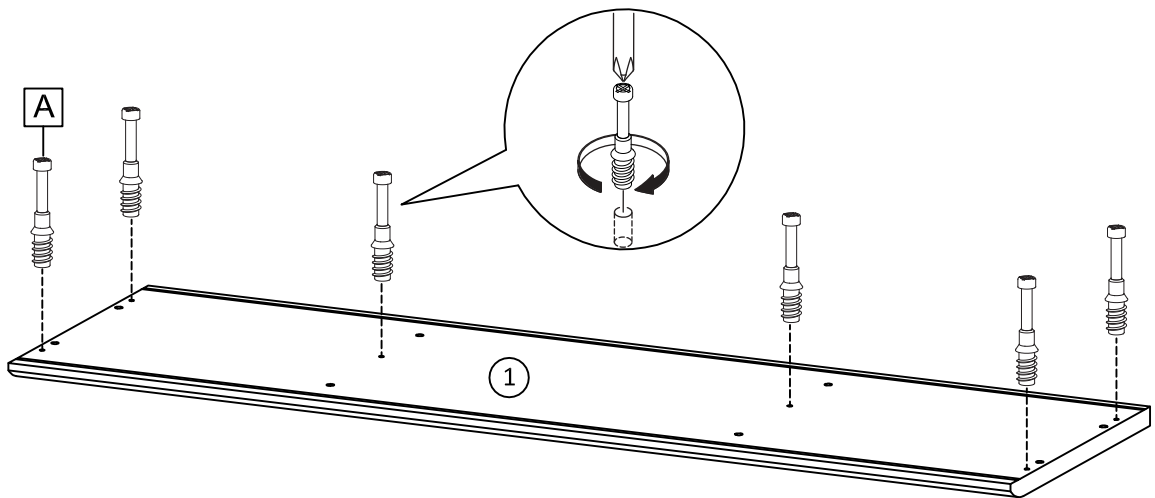


<p><b>A</b> <input type="checkbox"/></p>  <p>Ø6x35 mm    Ax10</p>	<p><b>B</b> <input type="checkbox"/></p>  <p>Ø15 mm    Bx10</p>	<p><b>C</b> <input type="checkbox"/></p>  <p>Ø8x32 mm    Cx40</p>	<p><b>D</b> <input type="checkbox"/></p>  <p>M12x35 mm    Dx6</p>	<p><b>E</b> <input type="checkbox"/></p>  <p>M7x50 mm    Ex6</p>
<p><b>F</b> <input type="checkbox"/></p>  <p>L4</p>	<p><b>G</b> <input type="checkbox"/></p>  <p>Fx19x10x14 mm</p>	<p><b>H</b> <input type="checkbox"/></p>  <p>Gx10 M3.5x15.5 mm    Hx10</p>	<p><b>I</b> <input type="checkbox"/></p>  <p>Ø5x15 mm    lx12</p>	<p><b>J</b> <input type="checkbox"/></p>  <p>Ø8 mm    Jx3</p>
<p><b>K</b> <input type="checkbox"/></p>  <p>25x25x2 mm    Kx4</p>	<p><b>L</b> <input type="checkbox"/></p>  <p>Ø9.5x15 mm</p>	<p><b>M</b> <input type="checkbox"/></p>  <p>Lx4 Ø11x16 mm    Mx4</p>		

1



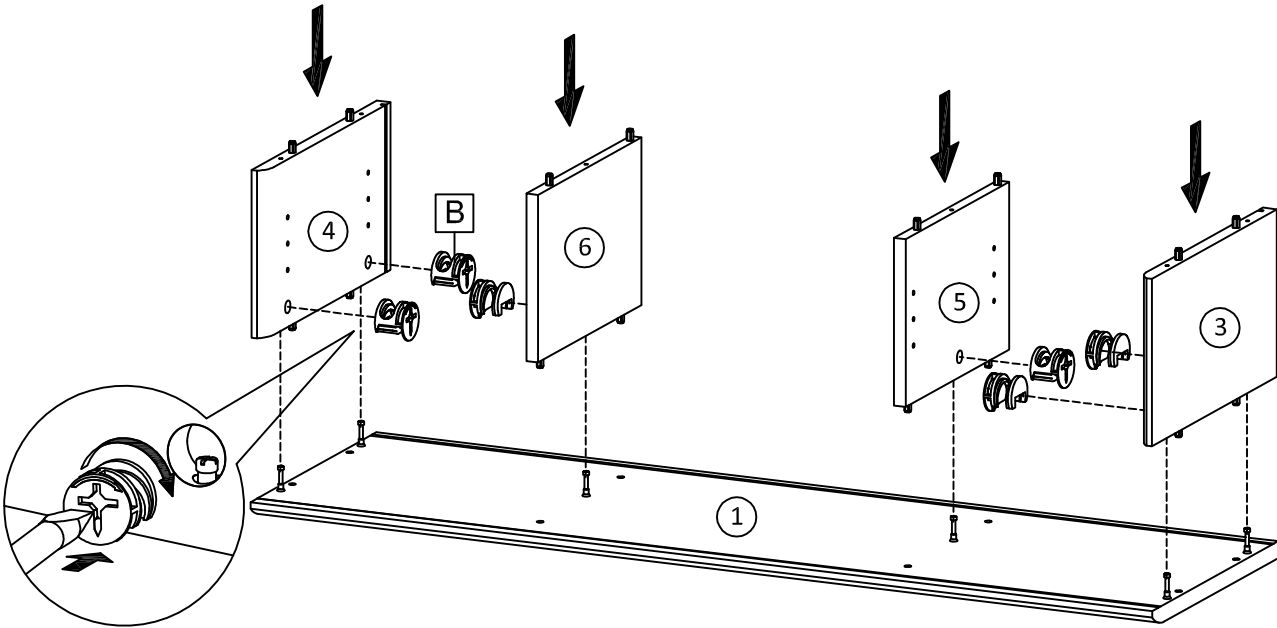
2



# 3



Bx6



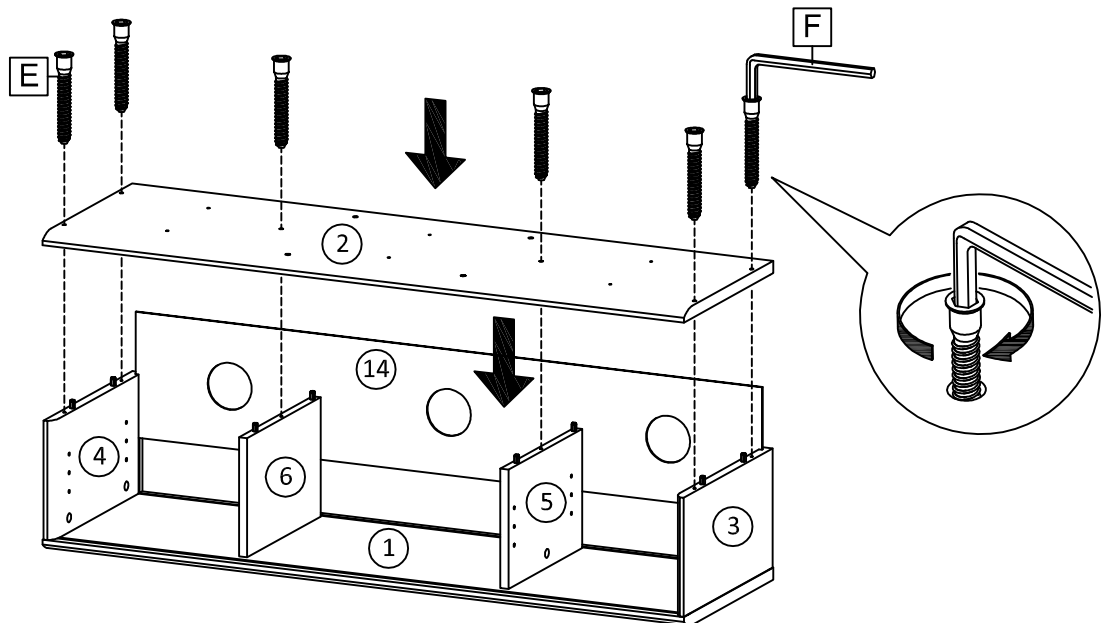
# 4



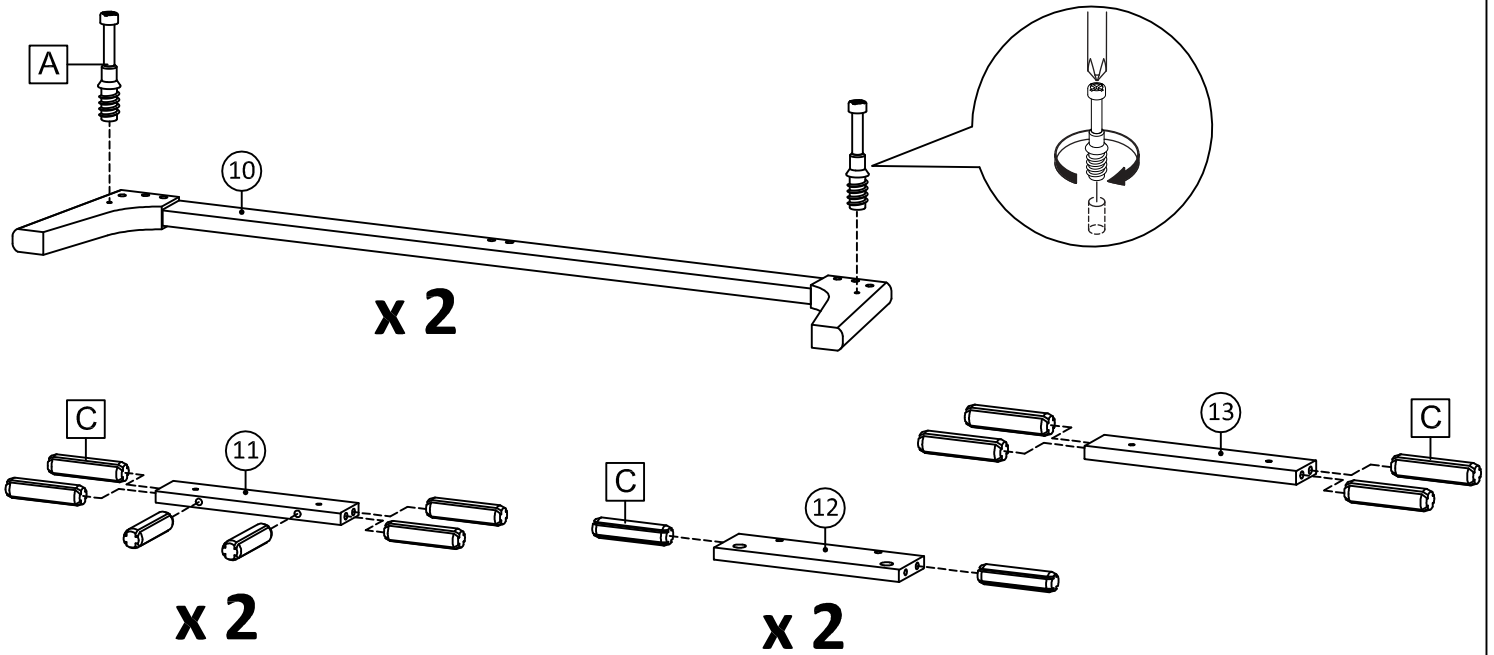
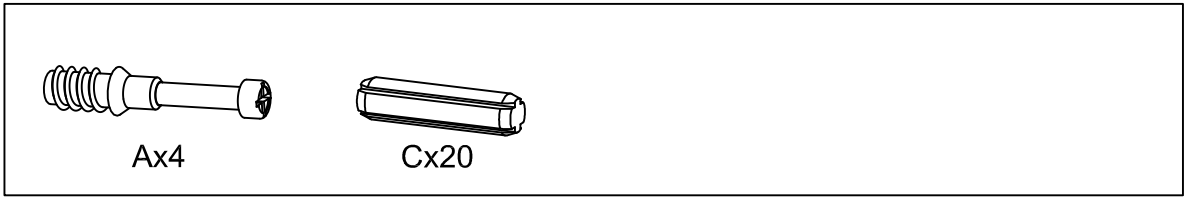
Ex6



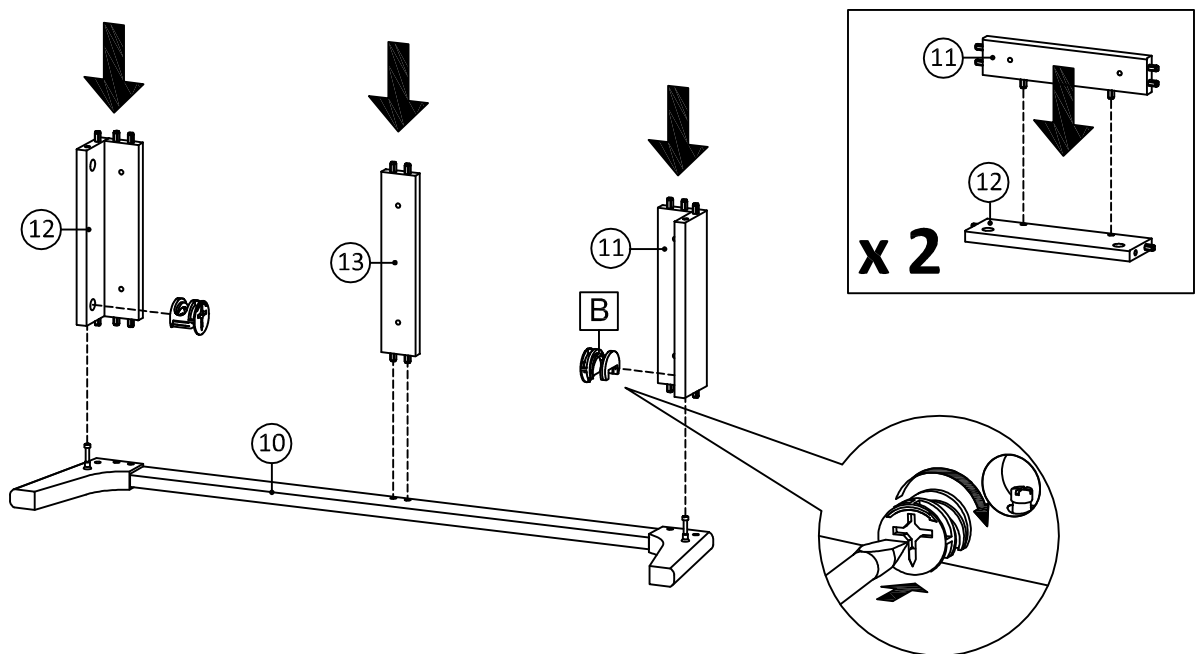
Fx1



# 5



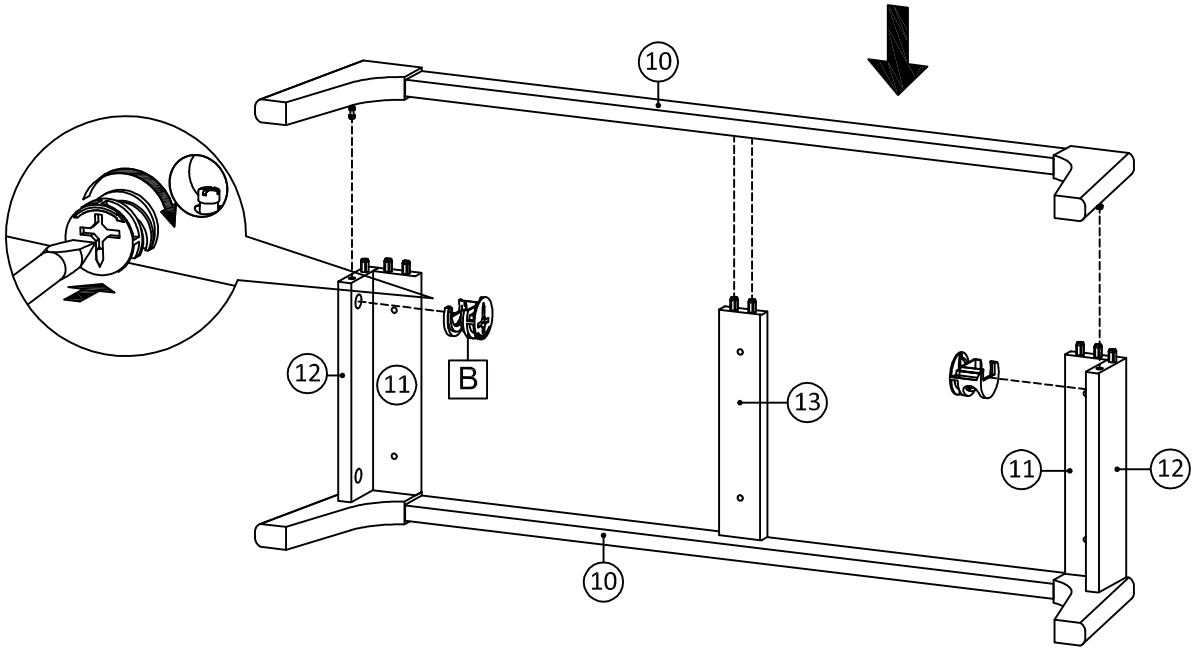
# 6



7



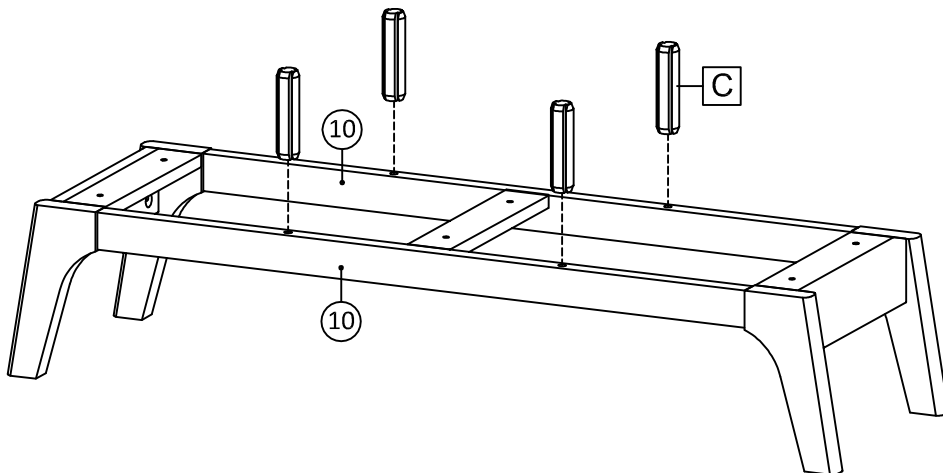
Bx2



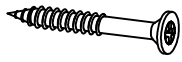
8



Cx4



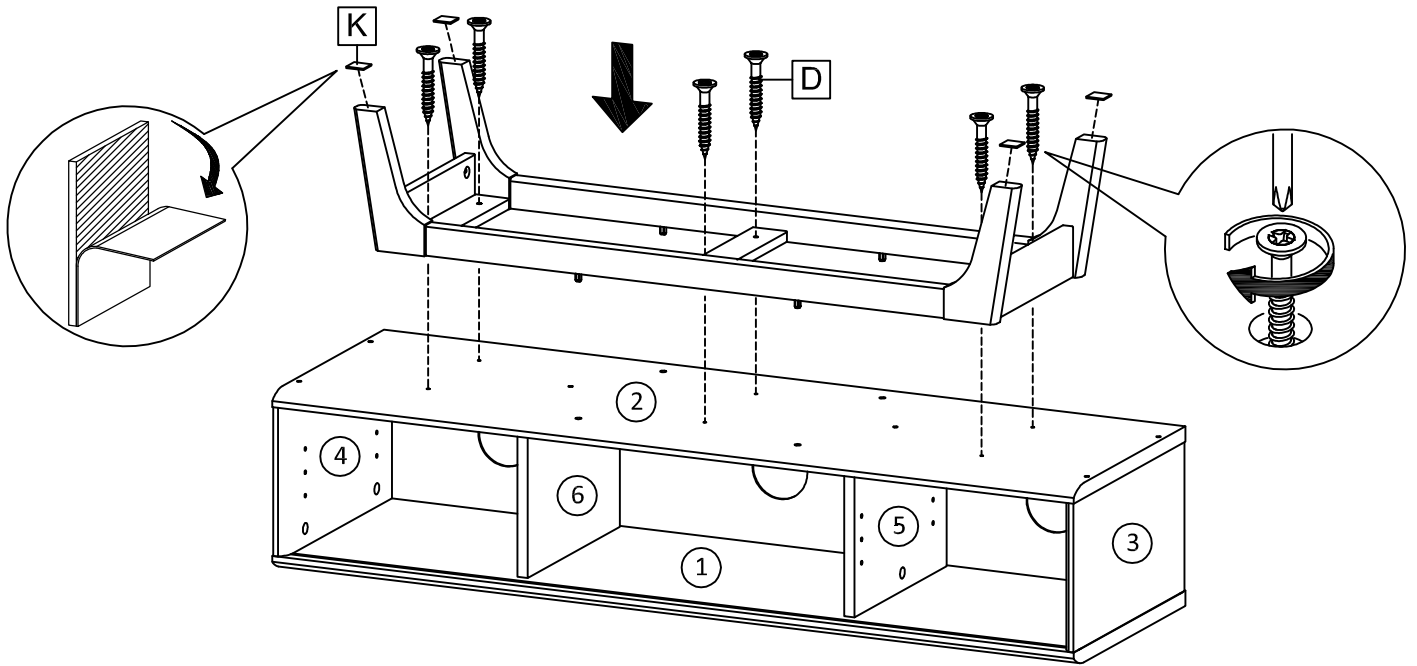
# 9



Dx6



Kx4



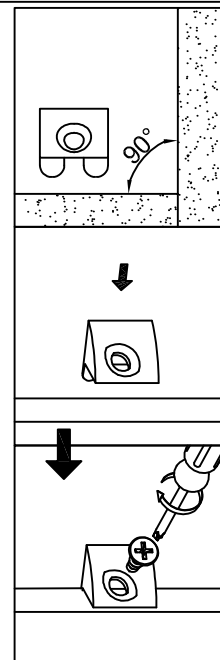
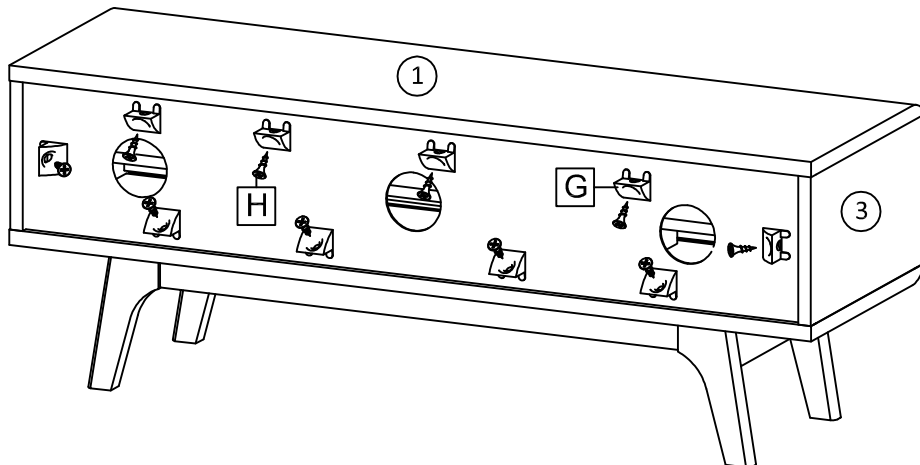
# 10



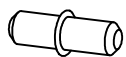
Gx10



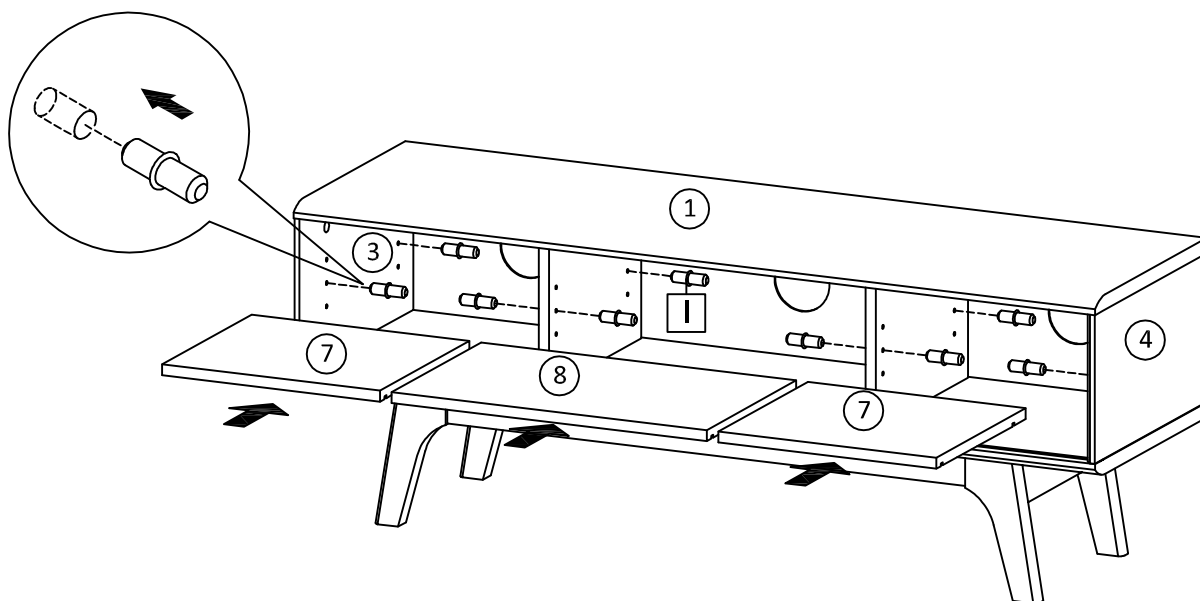
Hx10



# 11



lx12



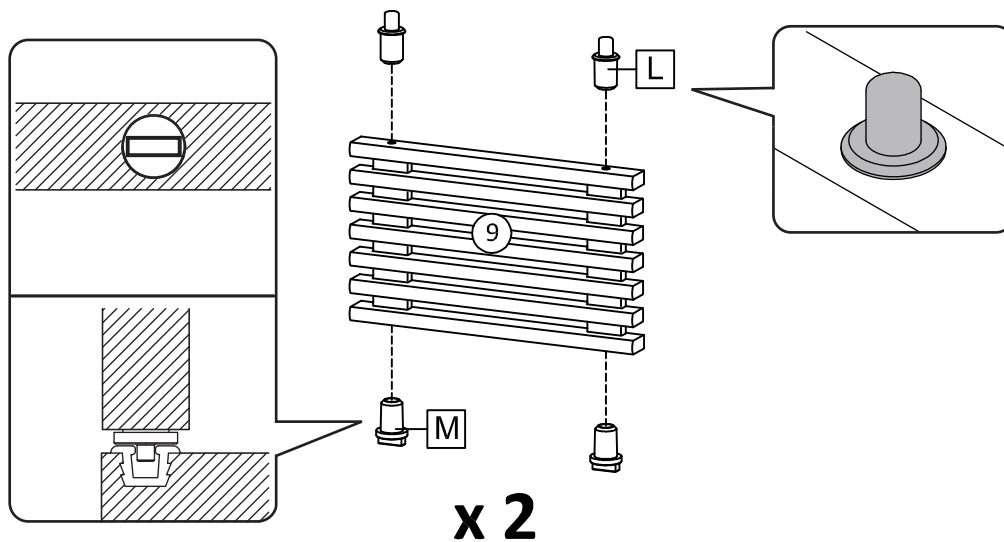
# 12



Lx4



Mx4

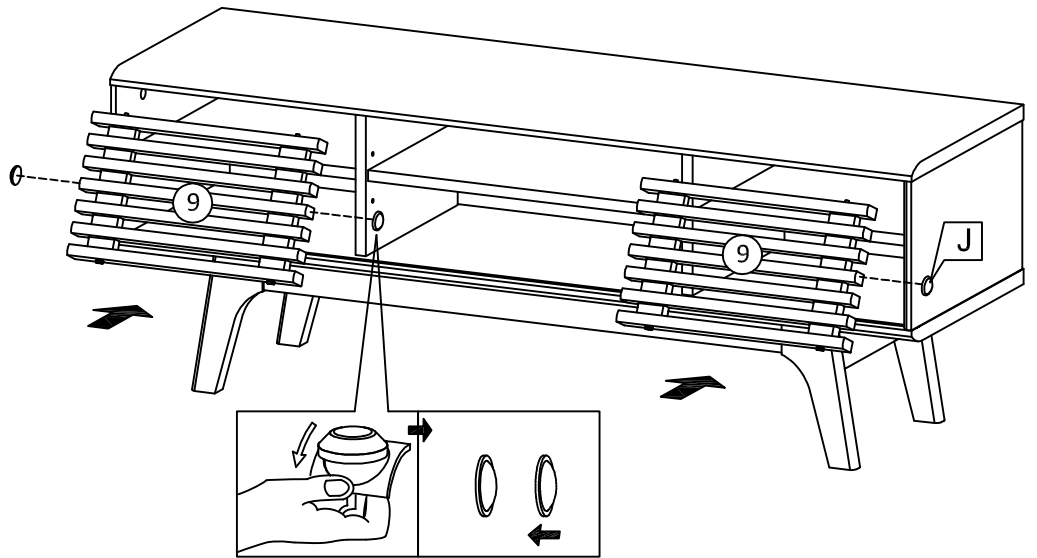
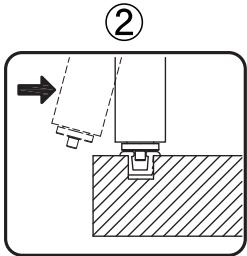
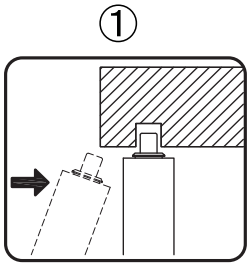


10-11

# 13



Jx3



# 14

