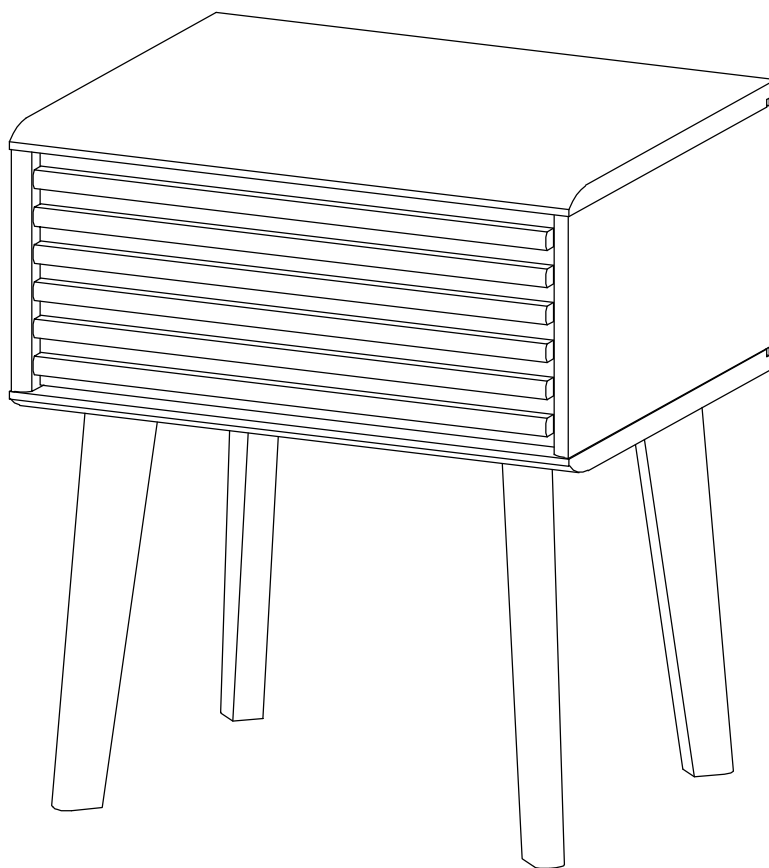


Assembly Instructions

COPEN LAMP TABLE

519039



Keep these instructions for future reference

WARNING

Read instructions carefully. Check no parts are missing.

Assemble the furniture on a soft level surface to avoid damaging the furniture or your floor.

Carefully identify each component, especially those that are similar.

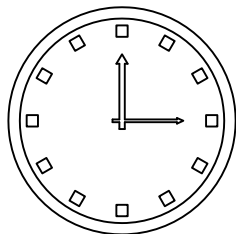
The most common mistake is getting things back to front.

Separate and identify each component from the hardware pack and rest each one in it's proper location before fastening.

We recommend furniture be assembled near where they will be placed, to avoid moving the product unnecessarily once assembled.

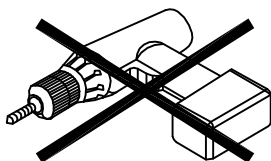
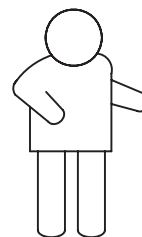
If there is a need to move the furniture, please remove all loose items and have extra hands to help lift the furniture to the desired location. Dragging the furniture will damage both the furniture and the floor.

Regularly check and re-tighten (if necessary) all bolts on furniture that you have assembled yourself.



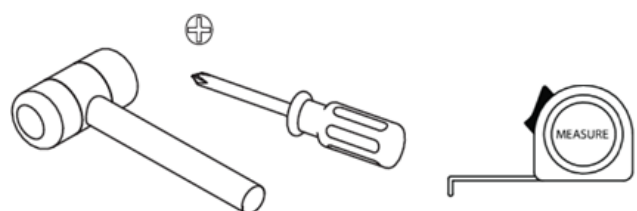
ALLOW 30 MIN

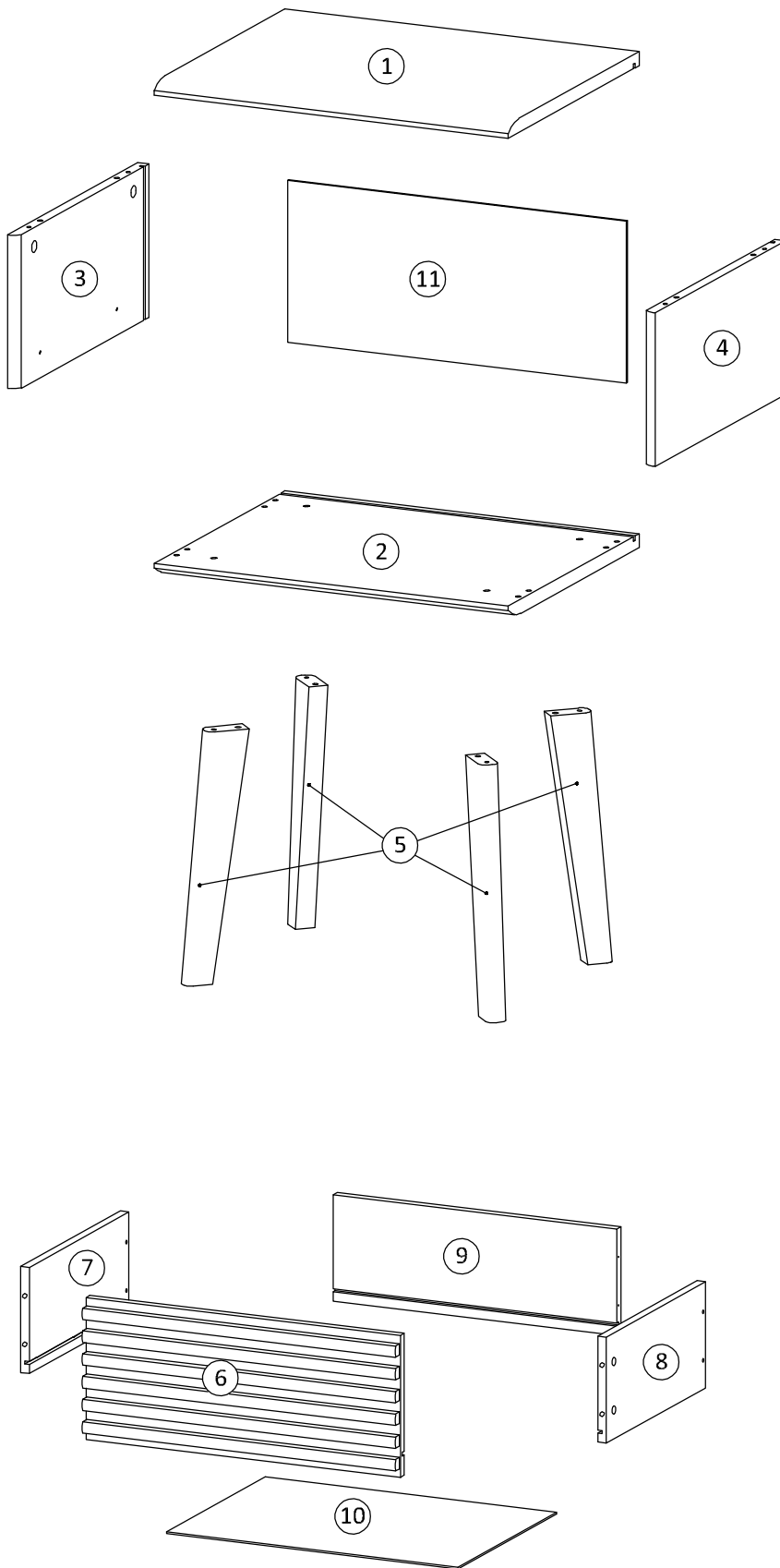
1 Person Required



DO NOT USE ON PRODUCT

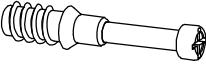
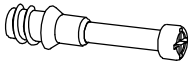









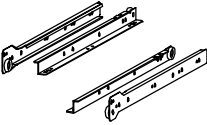
Tools Required



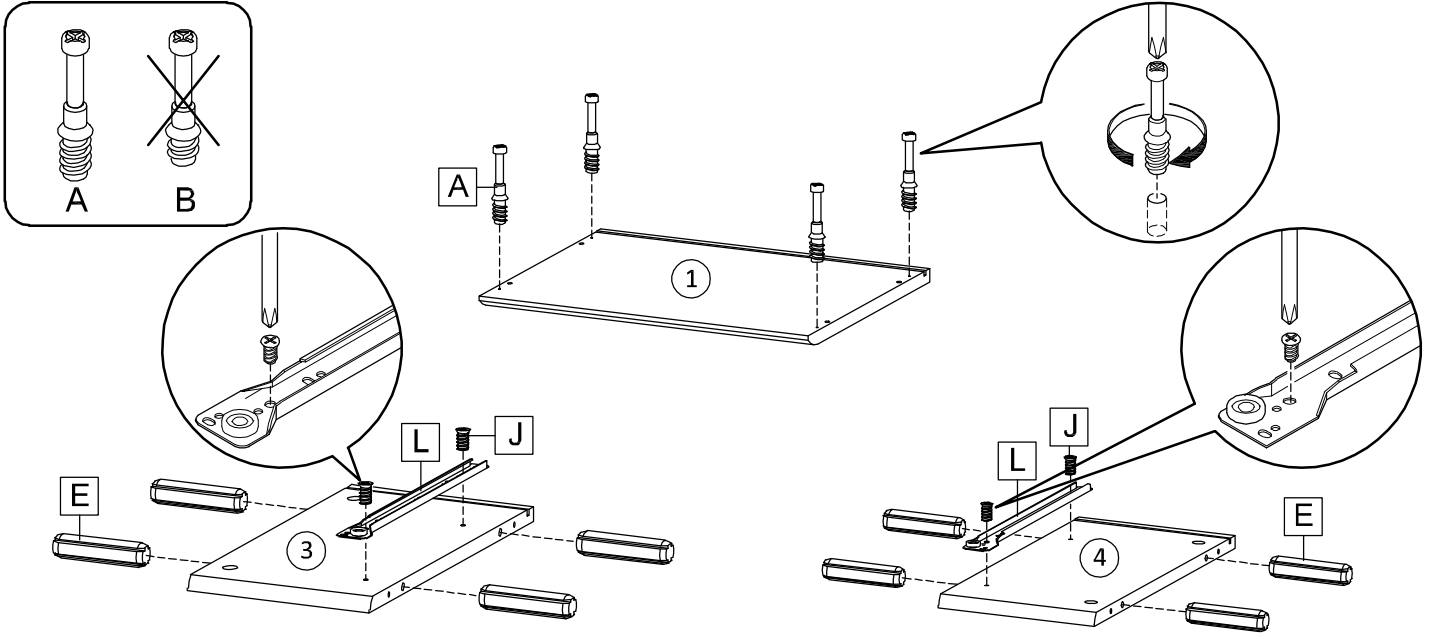
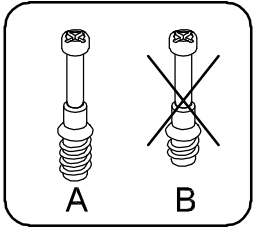
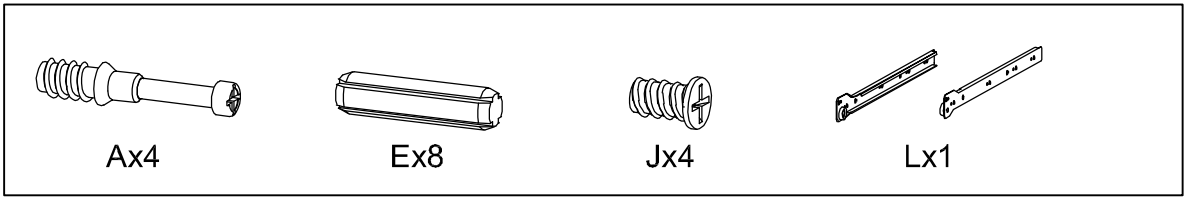


CHECKLIST

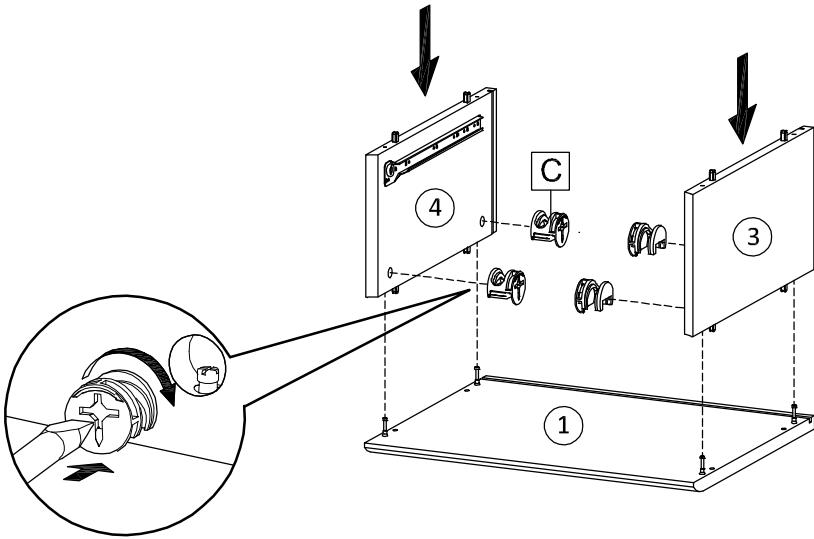


<p>A <input type="checkbox"/></p>  <p>Ø6x35 mm Ax4</p>	<p>B <input type="checkbox"/></p>  <p>Ø6x32 mm Bx4</p>	<p>C <input type="checkbox"/></p>  <p>Ø15mm Cx4</p>	<p>D <input type="checkbox"/></p>  <p>Ø12 mm Dx4</p>	<p>E <input type="checkbox"/></p>  <p>Ø8x32 mm Ex12</p>
<p>F <input type="checkbox"/></p>  <p>M7x50 mm Fx8</p>	<p>G <input type="checkbox"/></p>  <p>L4 Gx1</p>	<p>H <input type="checkbox"/></p>  <p>M8x39 mm Hx4</p>	<p>I <input type="checkbox"/></p>  <p>25x25x2 mm Ix4</p>	<p>J <input type="checkbox"/></p>  <p>M6.5x10.5 mm Jx4</p>
<p>K <input type="checkbox"/></p>  <p>M3.5x13 mm Kx6</p>	<p>L <input type="checkbox"/></p>  <p>300 mm Lx1</p>			

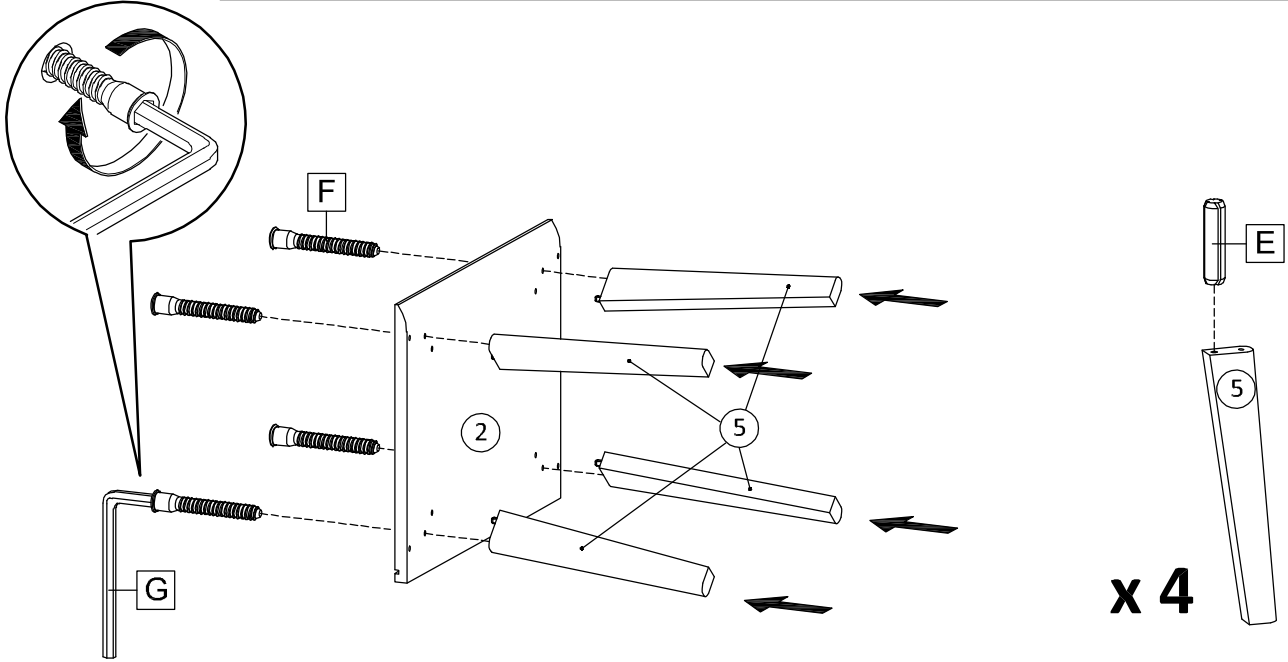
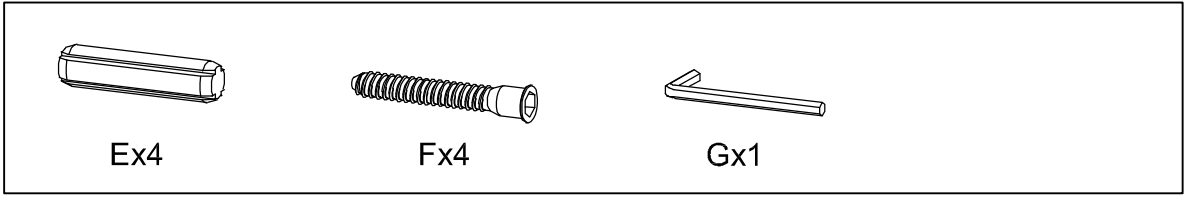
1



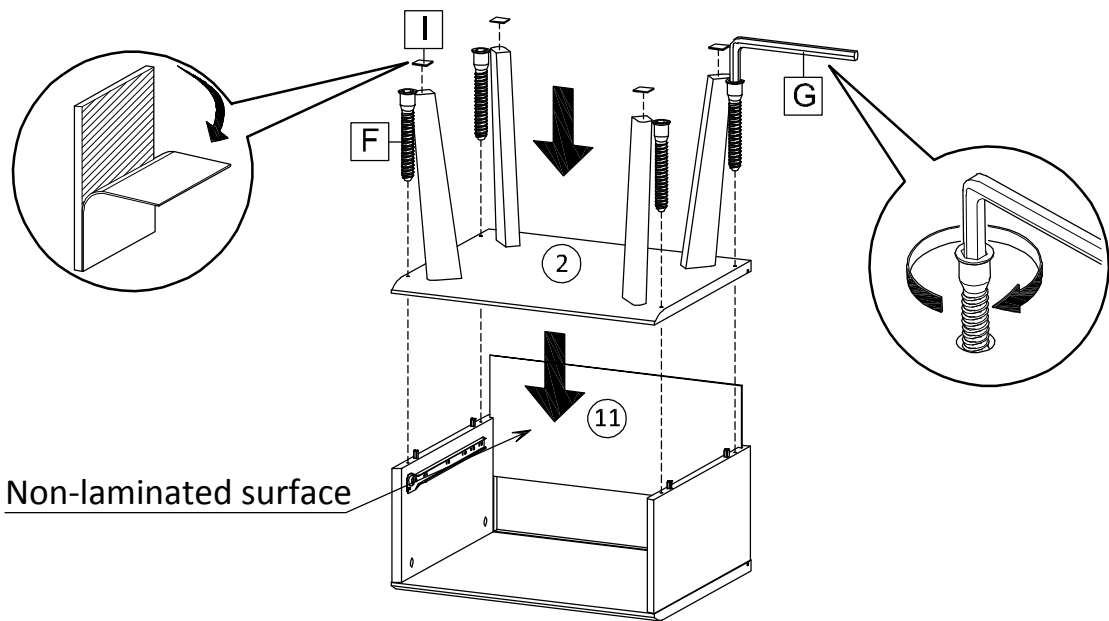
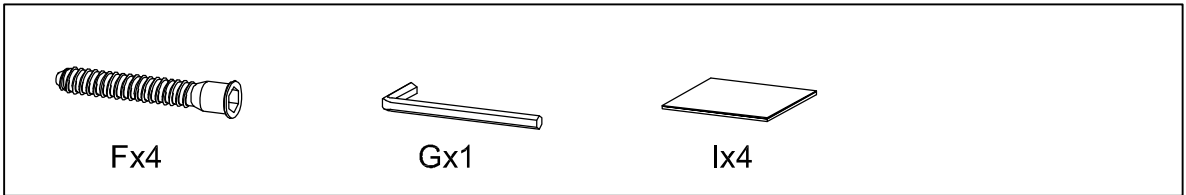
2



3

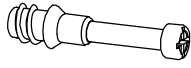


4

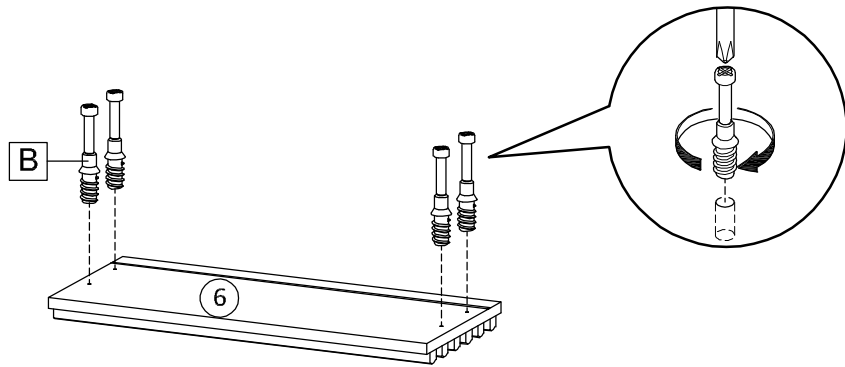
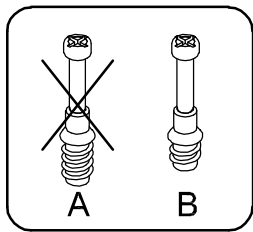


6-8

5



Bx4



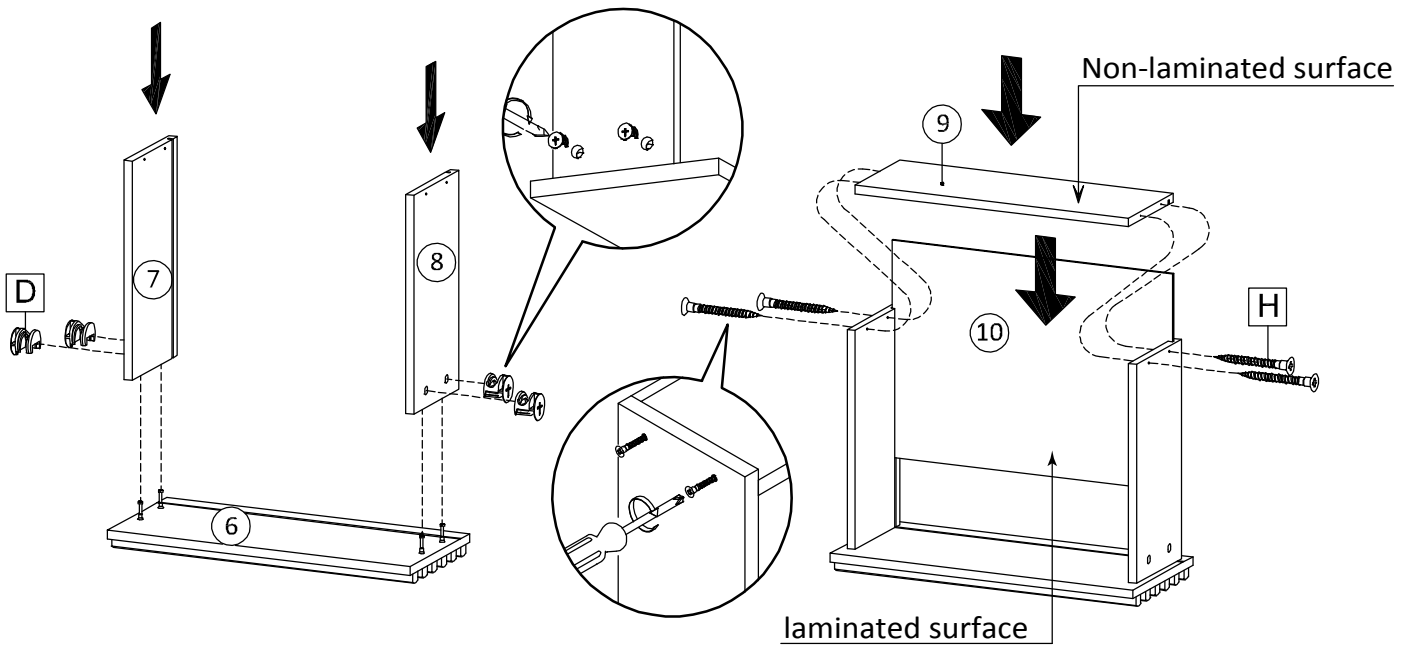
6



Dx4



Hx4

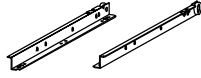


7-8

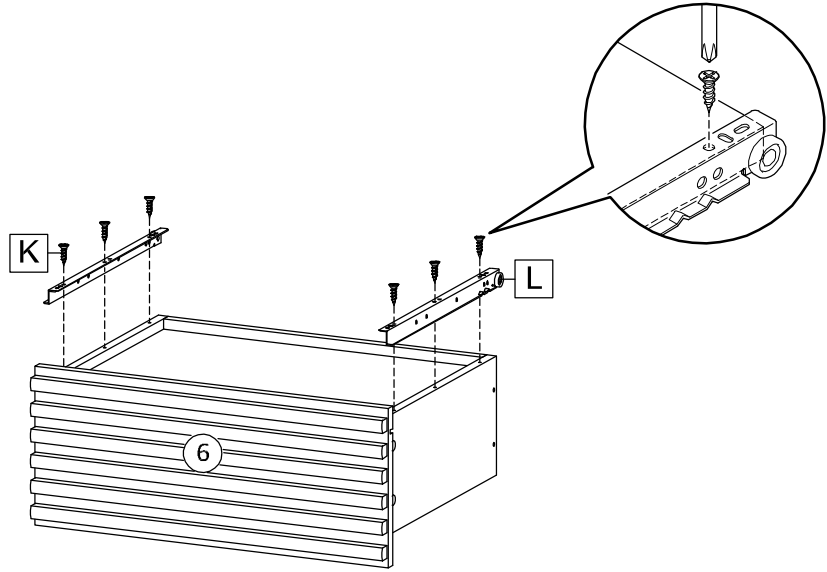
7



Kx6



Lx1



8

