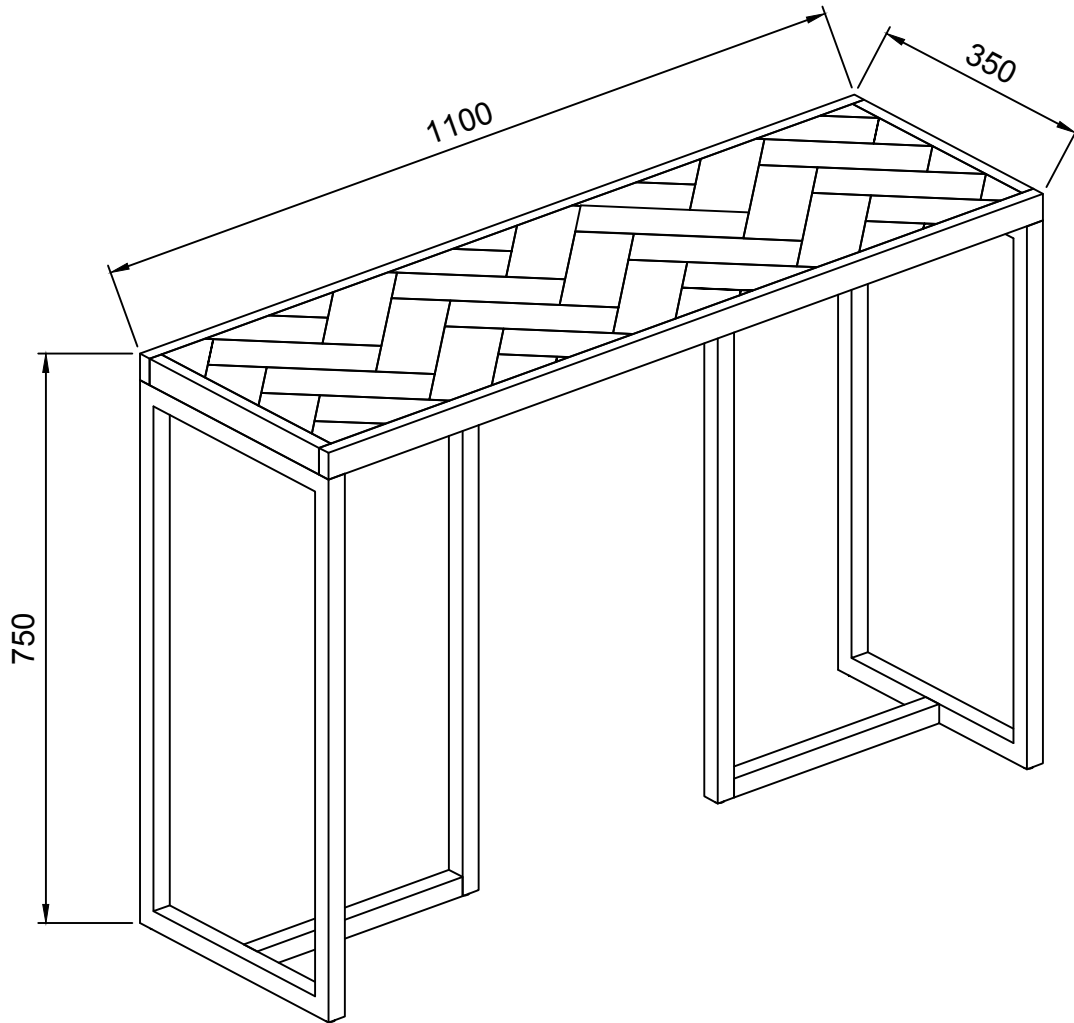


ASSEMBLY INSTRUCTIONS

Console Table



Care instructions

- Only clean the item using a damp cloth and mild detergent. Do not use abrasive cleaners.
- Use a dry cloth to clean the product, furniture polish is not recommended.
- From time to time check that there are no loose screws, nuts or bolts. if there are please re-tighten.
- This product should not be discarded with household waste. Take to your local authority waste disposal centre.

Assembly instructions

- Never use power tools unless specially instructed. They can damage your components or hardware if used incorrectly.
- The most common mistakes made during assembly are using the wrong hardware or getting components back to front.
- Always use a soft surface (such as carpet or cardboard) when assembling your product to avoid scratching or damaging the surface of the product.
- Bulky items such as wardrobes and bunk beds should be assembled in the room they will be used in as they may not fit through a door once assembled.
- Never use any glue until you are certain that the parts belong together.

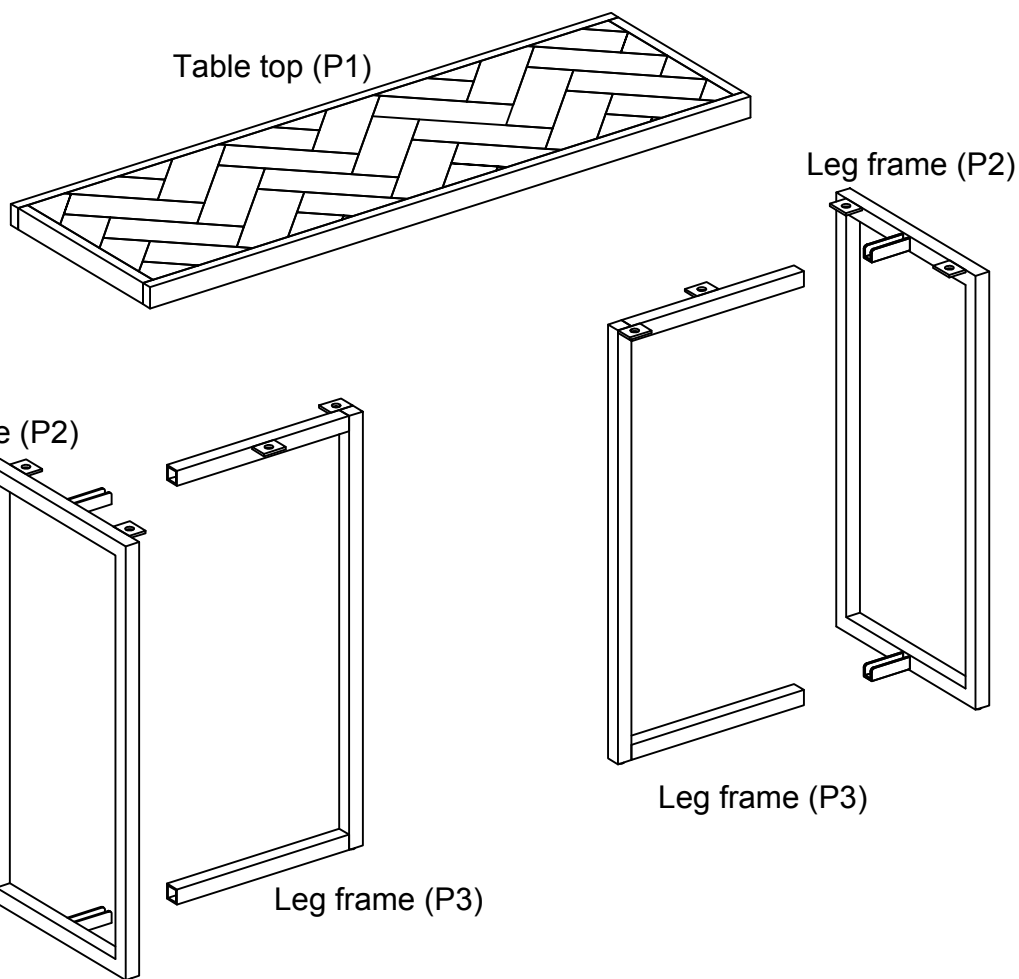
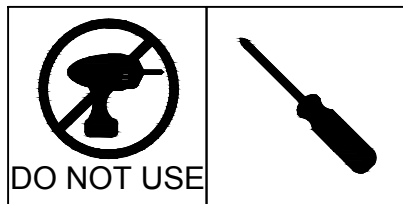


WARNING: ENSURE THE WALL STRAP IS ATTACHED TO AVOID SERIOUS INJURY.

To avoid any serious or fatal injury, this product has been fitted with a wall strap to prevent toppling. We strongly recommend that this product is permanently fixed to the wall or other suitable surface. Fixing devices are not included since different surface materials require different attachments. Please seek professional advice if you are in doubt of what fixing device to use.

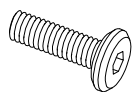
What you need

to assemble the product
1 x Philips head screwdriver
(NOT PROVIDED)



Parts list

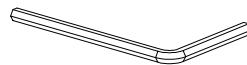
1 x Table top (P1).
2 x Leg frame (P2).
2 x Leg frame (P3).



16 x Bolt
(H1)



16 x Flat washer
(H2)



1 x Allen key
(H3)



1 x Screw
(H4)



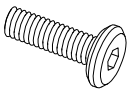


1 x Wall strap
(H5)

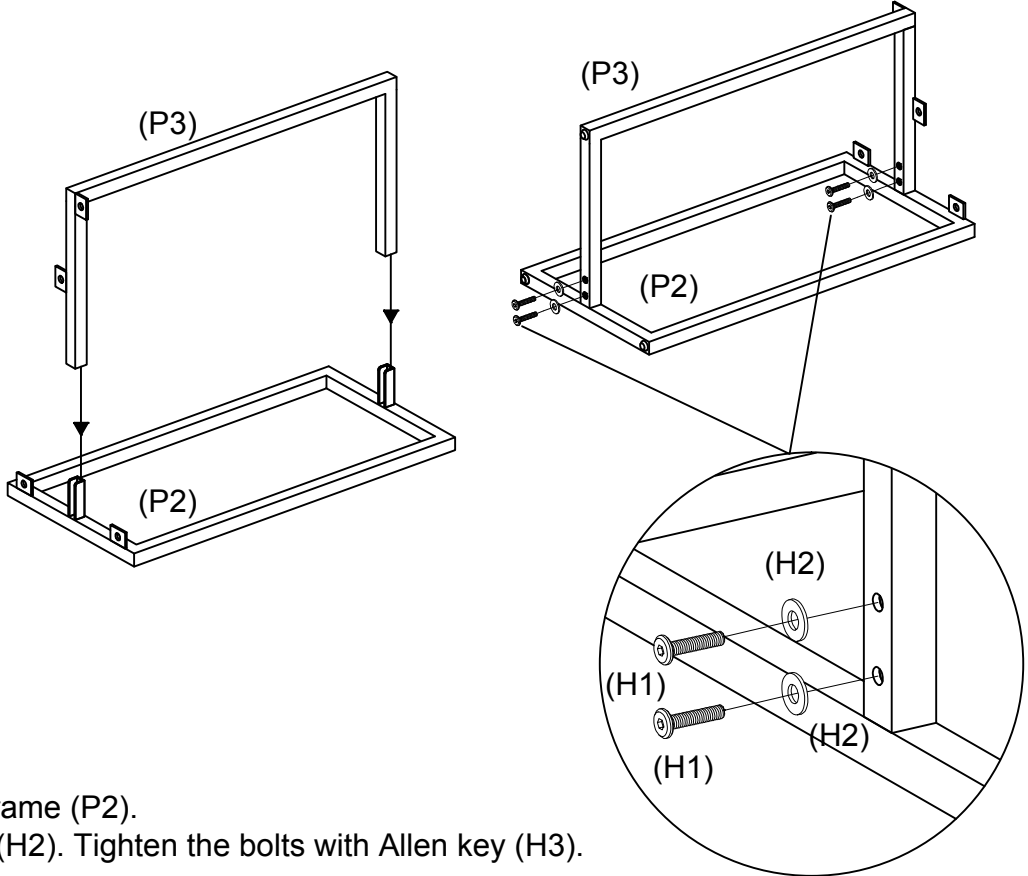


1 x Washer
(H6)

Step 1

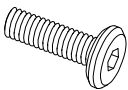

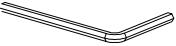
Note: Assemble the console table on a soft flat surface to prevent unit from being damaged during assembly.

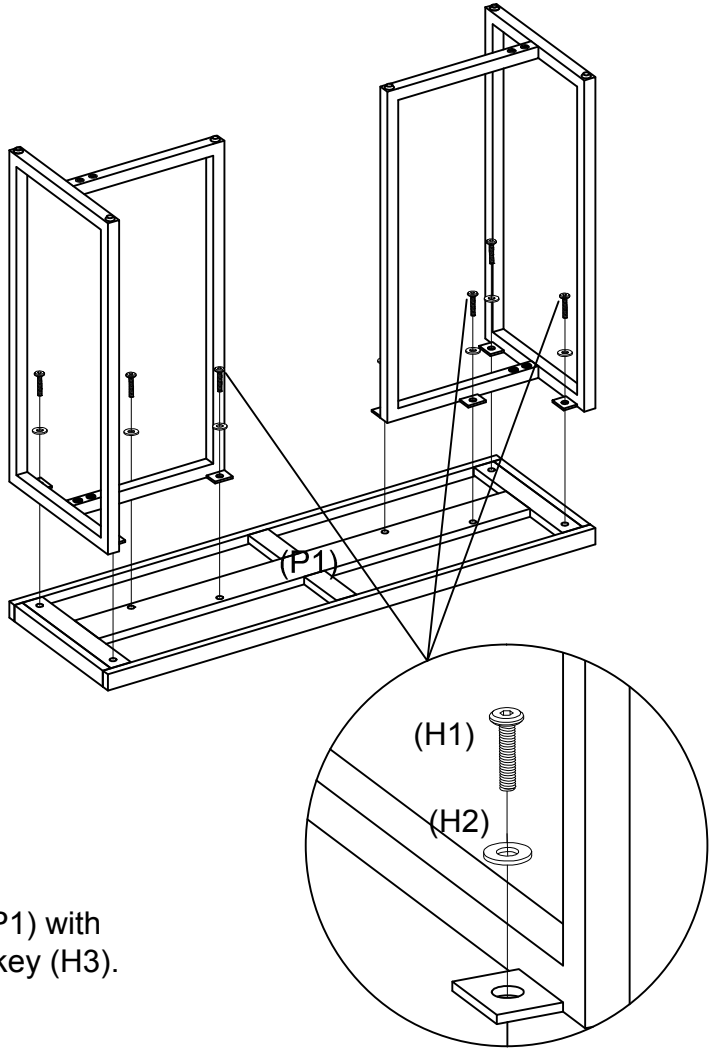
You will need	
	
8 x Bolt (H1)	8 x Flat washer (H2)
	
1 x Allen key (H3)	



Fix the legs frame (P3) to legs frame (P2).
Using 8 bolts (H1) & 8 washers (H2). Tighten the bolts with Allen key (H3).

Step 2


You will need	
	
8 x Bolt (H1)	8 x Flat washer (H2)
	
1 x Allen key (H3)	

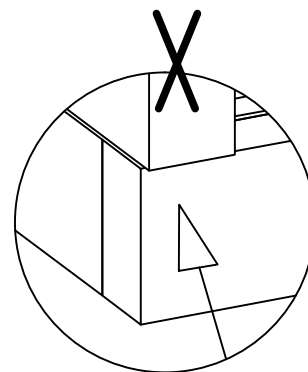
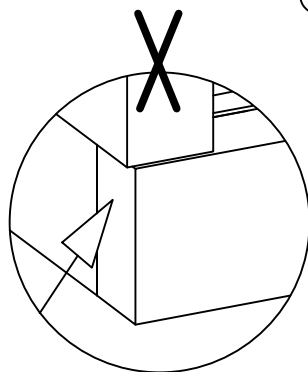
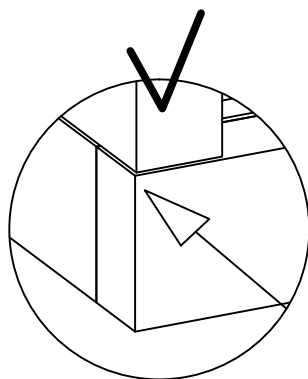
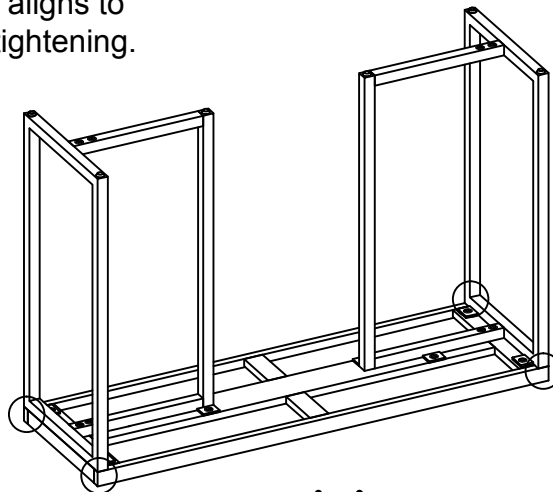


Loosely attach the frame legs to table top (P1) with 8 bolts (H1) and 8 washers (H2) with Allen key (H3).

Step 3





Make sure the frame aligns to the table top before tightening.

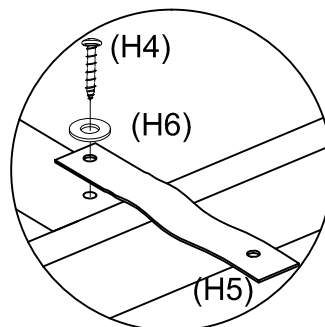
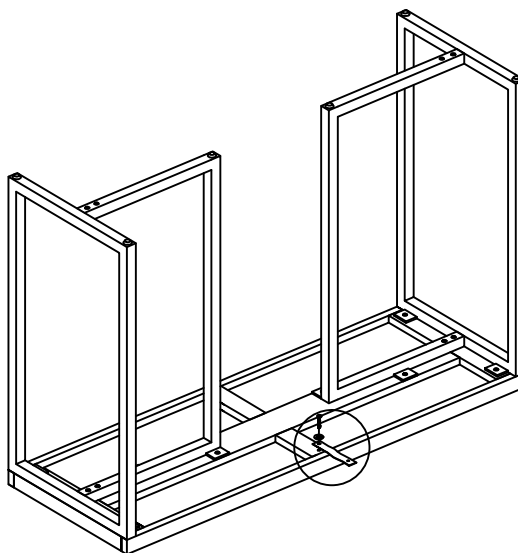
You will need	
	
1 x Allen key (H3)	



Align the frame legs to table top (P1) as shown. Tighten the bolts with Allen key (H3).

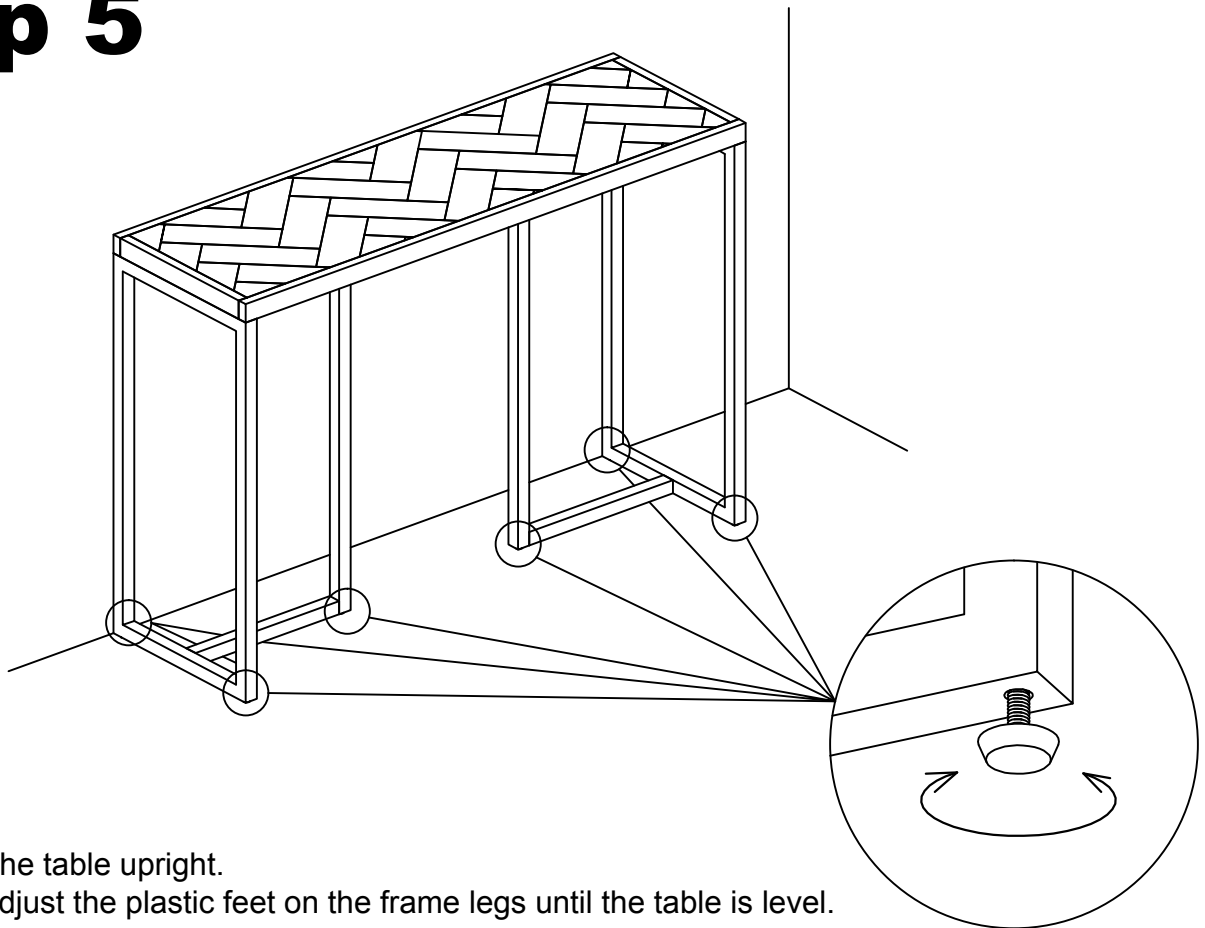
Step 4

You will need	
	
1 x Screw (H4)	1 x Wall strap (H5)
	
Phillips head screwdriver	1 x Washer (H6)




Fix wall strap (H5) to the underside of the table top (P1) with 1 screw (H4) and 1 washer (H6) by tightening with the Phillips head screwdriver.

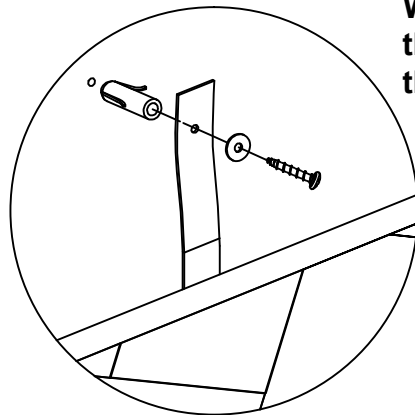
Step 5



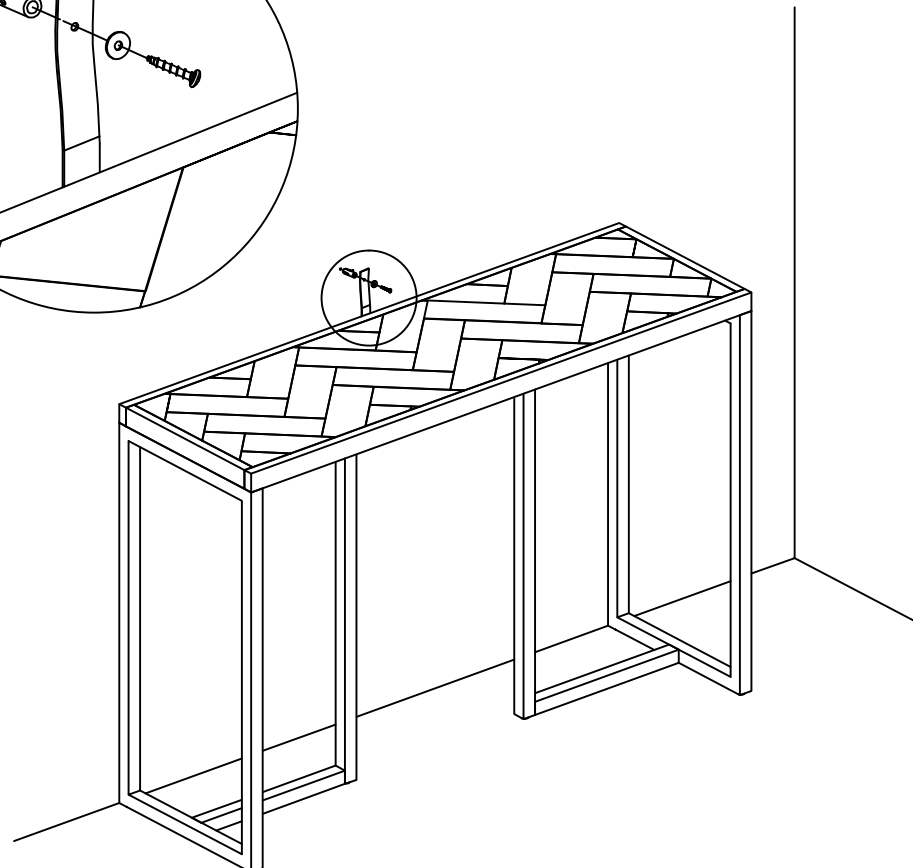
Carefully turn the table upright.
If necessary, adjust the plastic feet on the frame legs until the table is level.

Step 6

You will need	
	
Phillips head screwdriver	



We strongly advise that you use the wall safety strap provided to prevent the unit toppling.

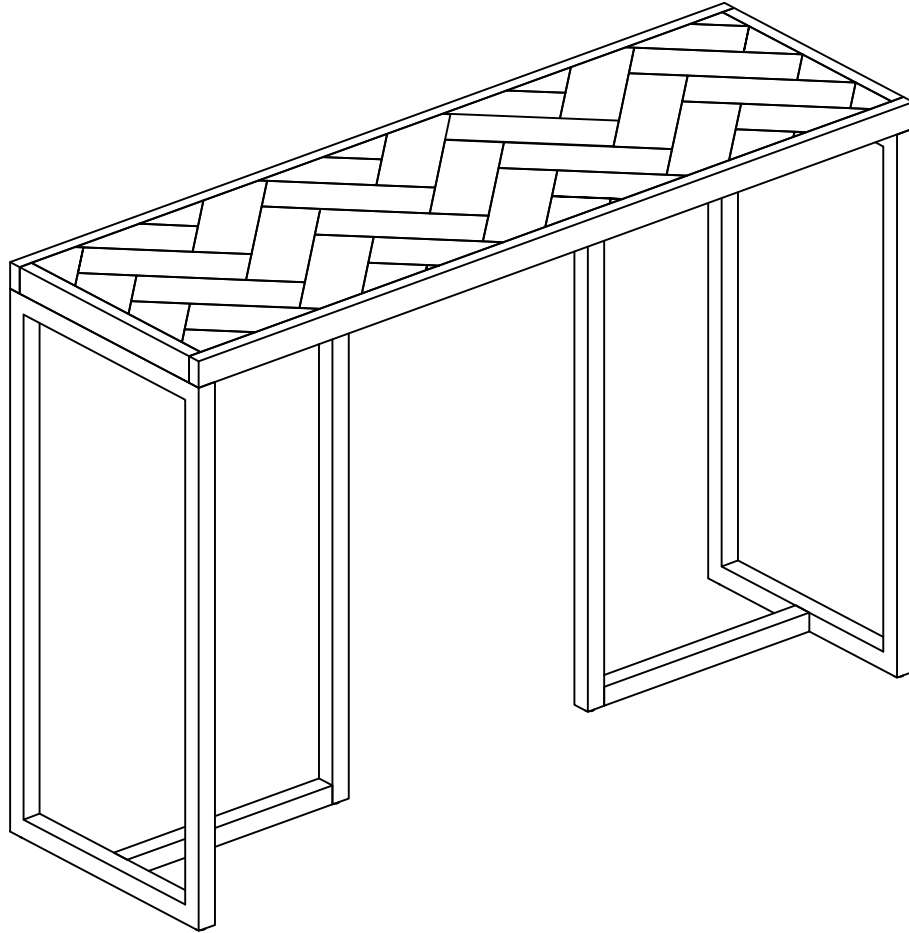


Screw, washer and wall plug are not provided.
Please use appropriate fixtures for your wall

Seek advice from a qualified trades person on how to attach safety strap to the wall.

Move the hall table to the final position and attach the safety strap to the wall securely

Step 7



Job Complete!