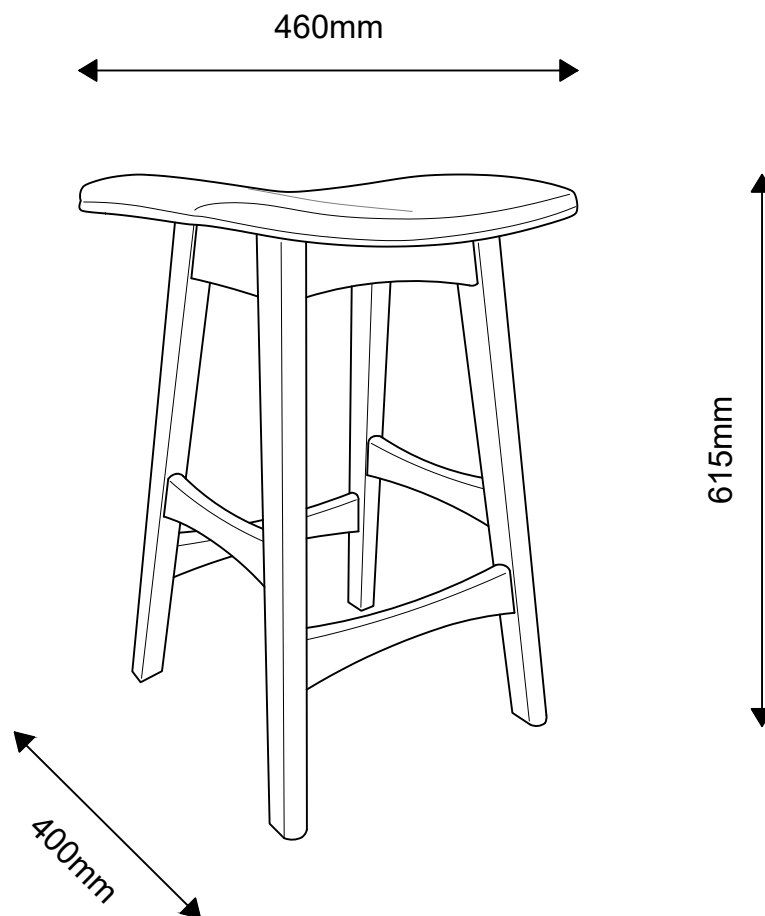


Assembly Instructions

STAR BARSTOOL

520474



Keep these instructions for future reference

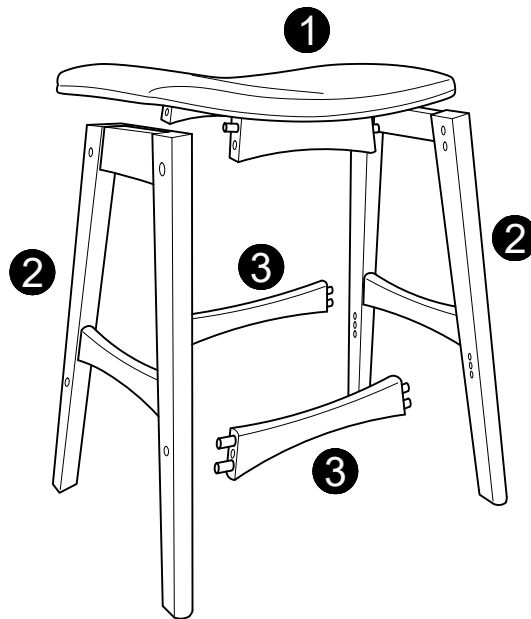
Assemble the furniture on a soft level surface to avoid damaging the furniture or your floor.

We recommend furniture be assembled near where they will be placed, to avoid moving the product unnecessarily once assembled.

If there is a need to move the furniture, please remove all loose items and have extra hands to help lift the furniture to the desired location. Dragging the furniture will damage both the furniture and the floor.

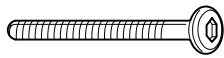


Regularly check and re-tighten (if necessary) all bolts on furniture that you have assembled yourself.

PARTS LIST

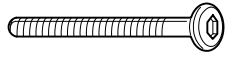


NO.	PARTS LIST	QTY
(1)	SEAT	1
(2)	FRAME LEG	2
(3)	STRETCHER	2

HARDWARE LIST

NO.	DESCRIPTION		QTY
A	JCBC M6 x 50MM		8
B	Spring Washer M6		8
C	Allen Key M4 x 110MM		1

1



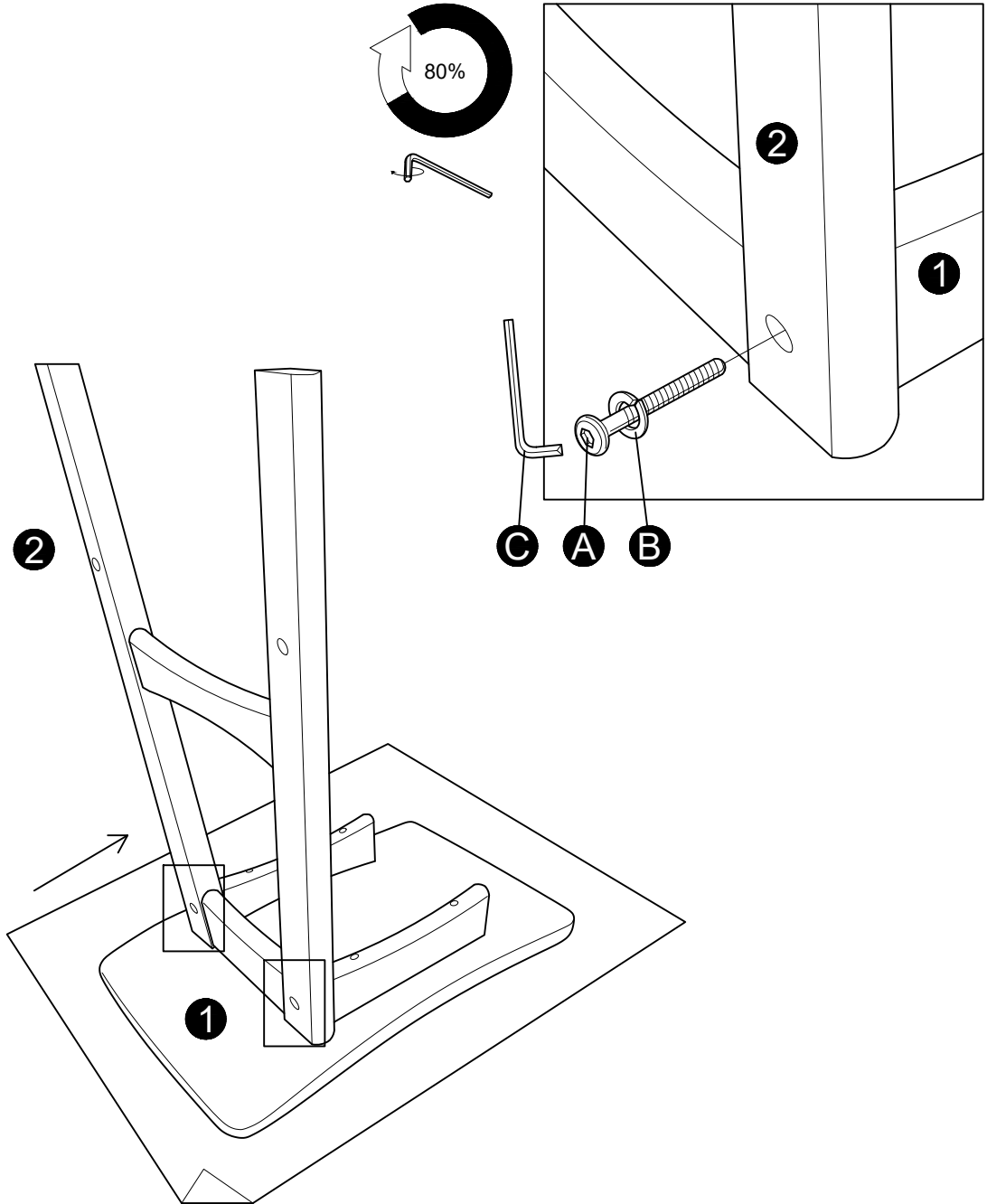
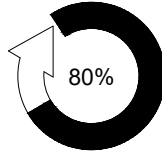
A x 2
M6 x 50MM



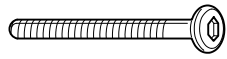
B x 2
M6



C x 1



2



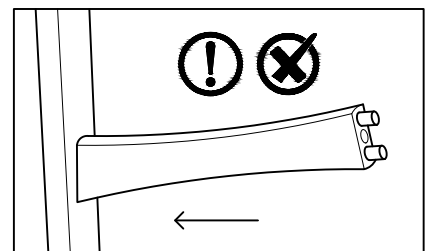
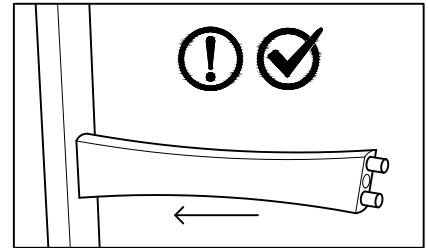
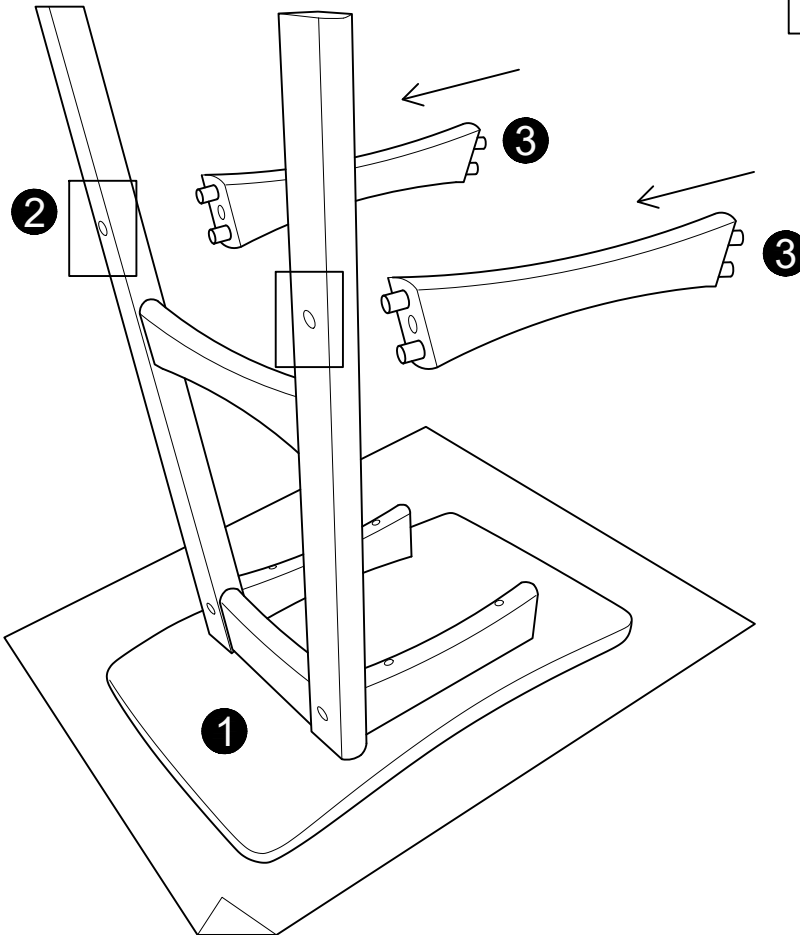
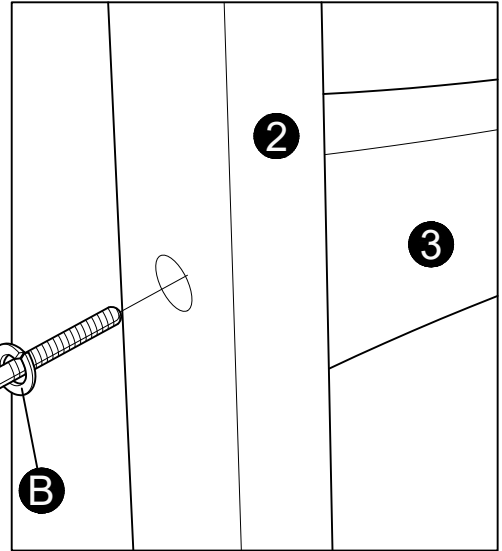
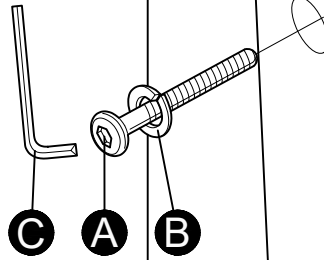
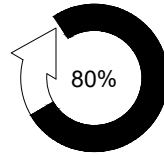
A x 2
M6 x 50MM



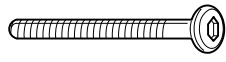
B x 2
M6



C x 1



3



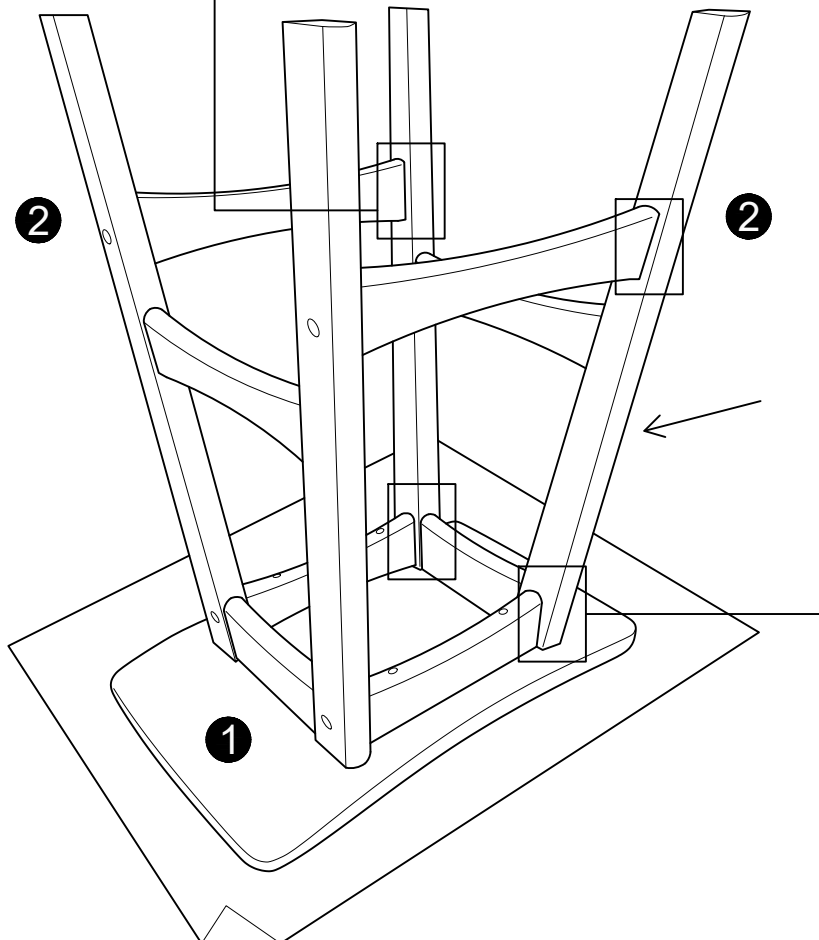
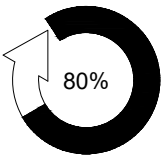
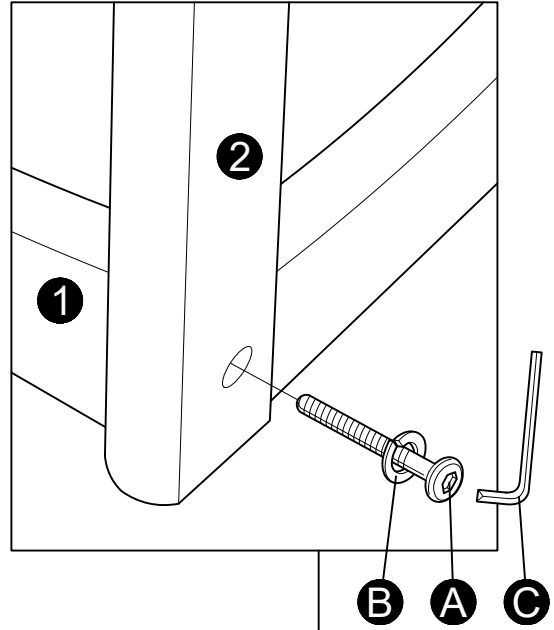
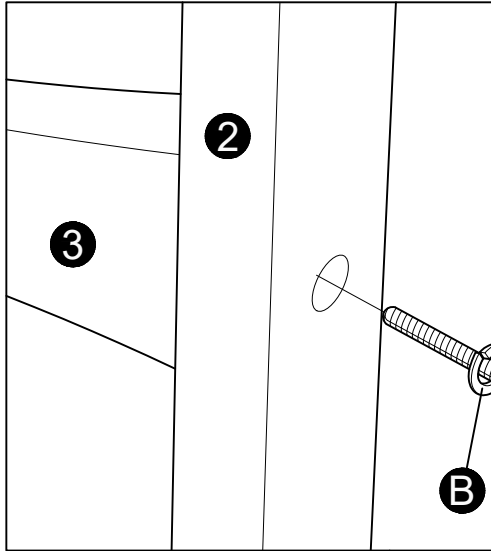
A x 4
M6 x 50MM



B x 4
M6



C x 1



4

