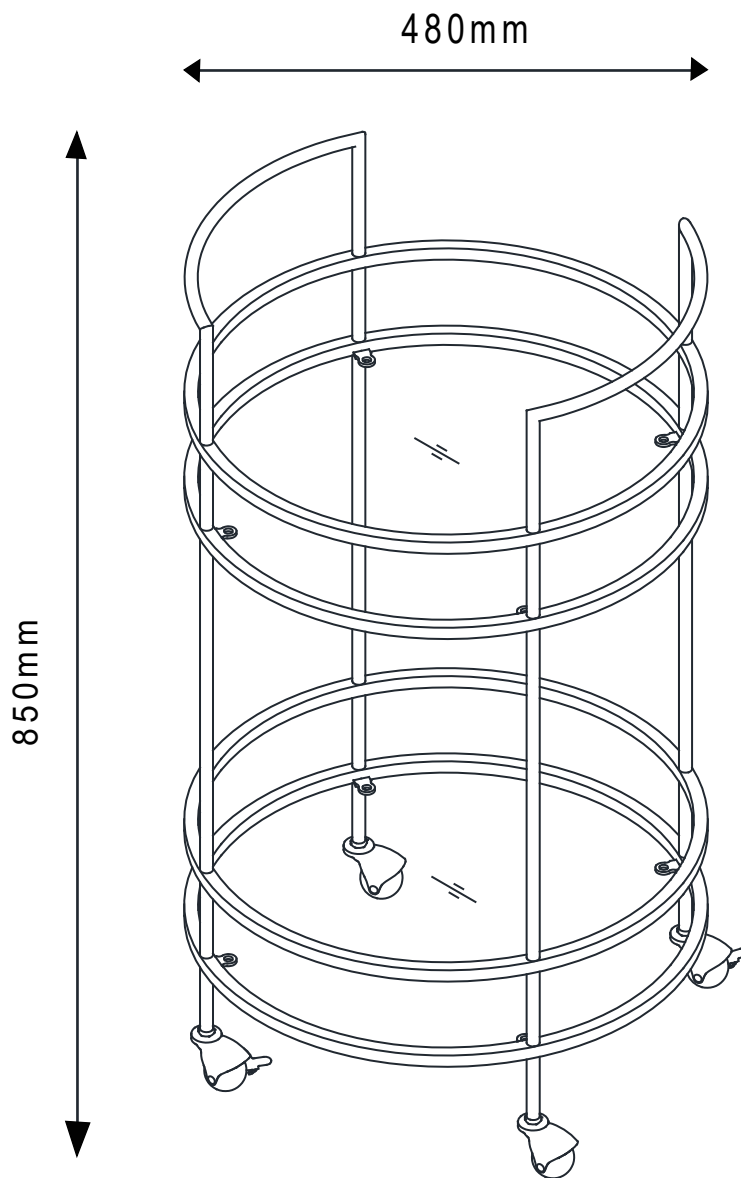


# Assembly Instructions

## Detroit Bar Cart

519918



Keep these instructions for future reference

If the glass is chipped or broken, stop using the product and consult the seller.

## WARNING

Do not place very hot or cold items on the glass surfaces unless adequate thick table mats are used to prevent such items from coming in contact with the glass.

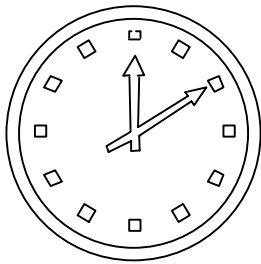
Do not sit or stand upon the glass surfaces.

Do not use the glass as a chopping surface.

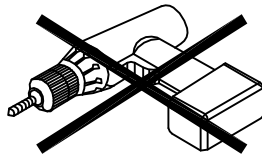
Do not strike the glass with hard or pointed items.

When cleaning the glass panels use a damp cloth with washing up liquid or soft soap if necessary,

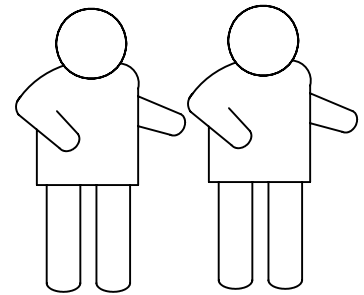
Do not use washing powders or any other substances containing abrasives since these substances scratch glass.



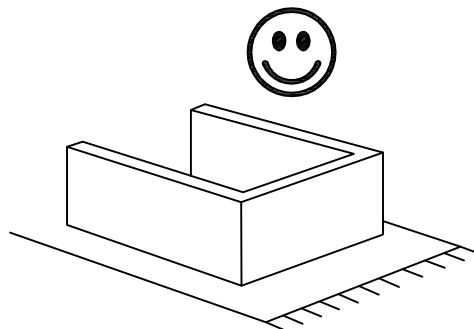
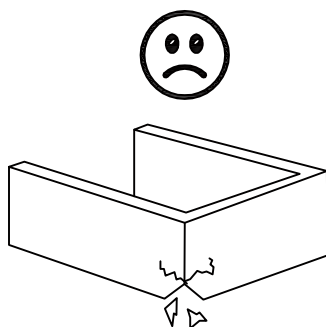
**ALLOW 10 min**



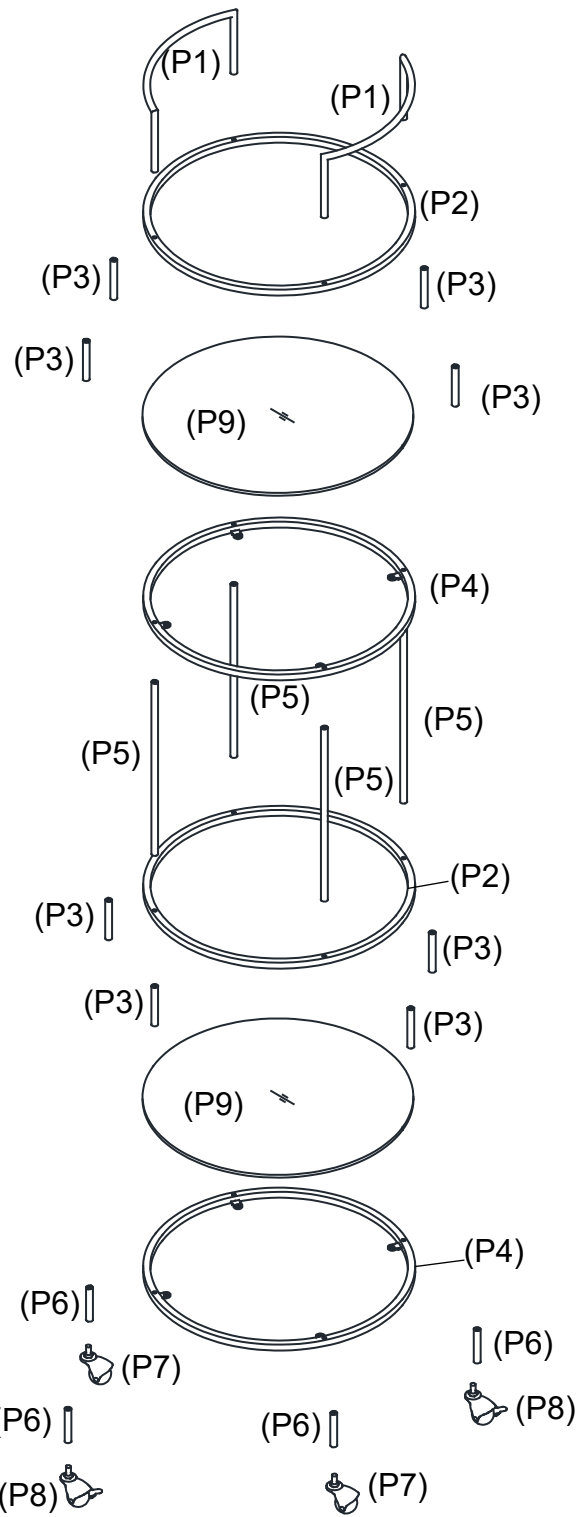
**DO NOT USE ON PRODUCT**






**2 Person Required**




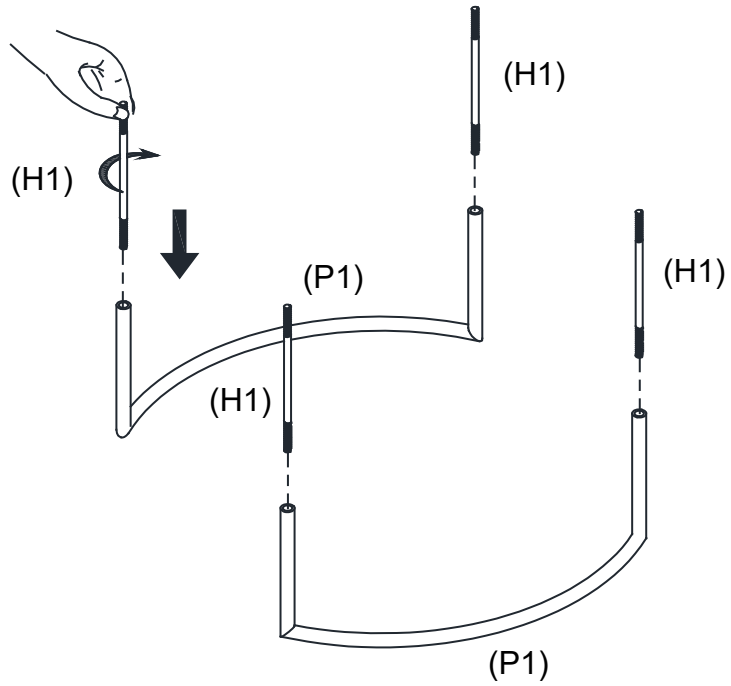
**ASSEMBLE ON THE CARPET**



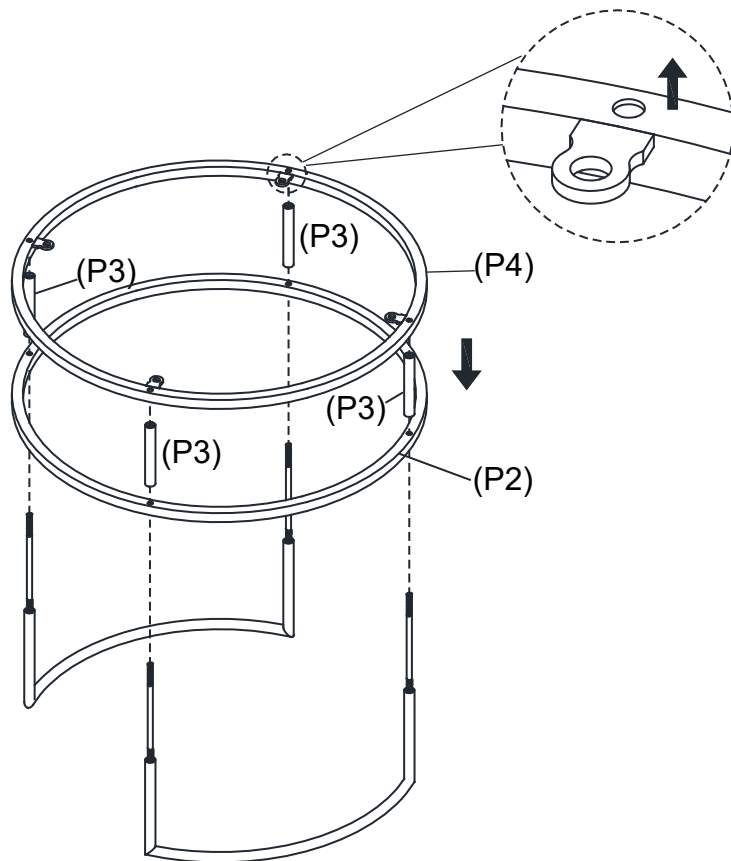
 <p>8 x (H1)</p>	 <p>8 x (H2)</p>	 <p>1 x (H3)</p>	
---	---	--	--

# Step 1

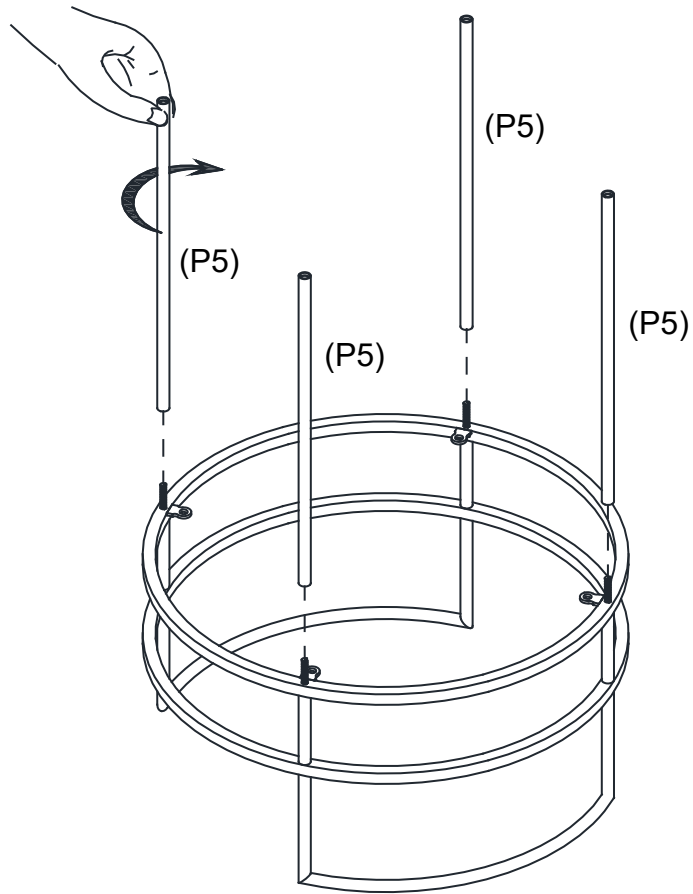
You will need	
	
4 x Bolts (H1)	




# Step 2

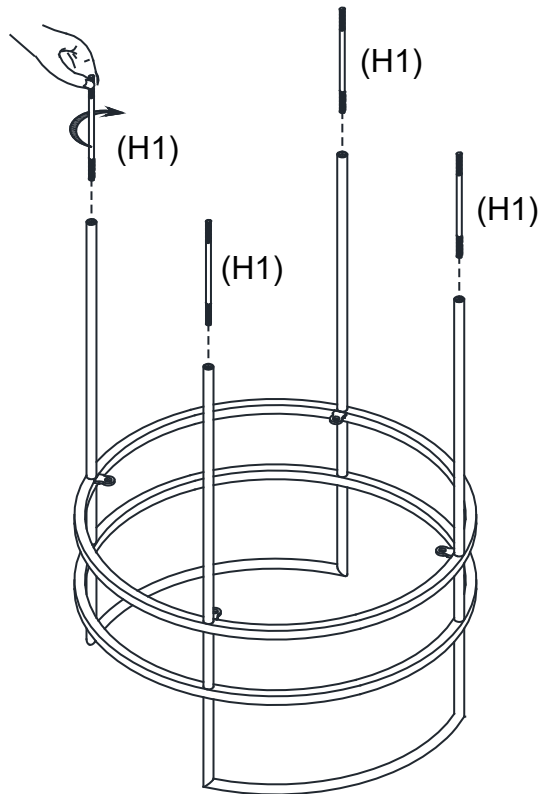


## Step 3

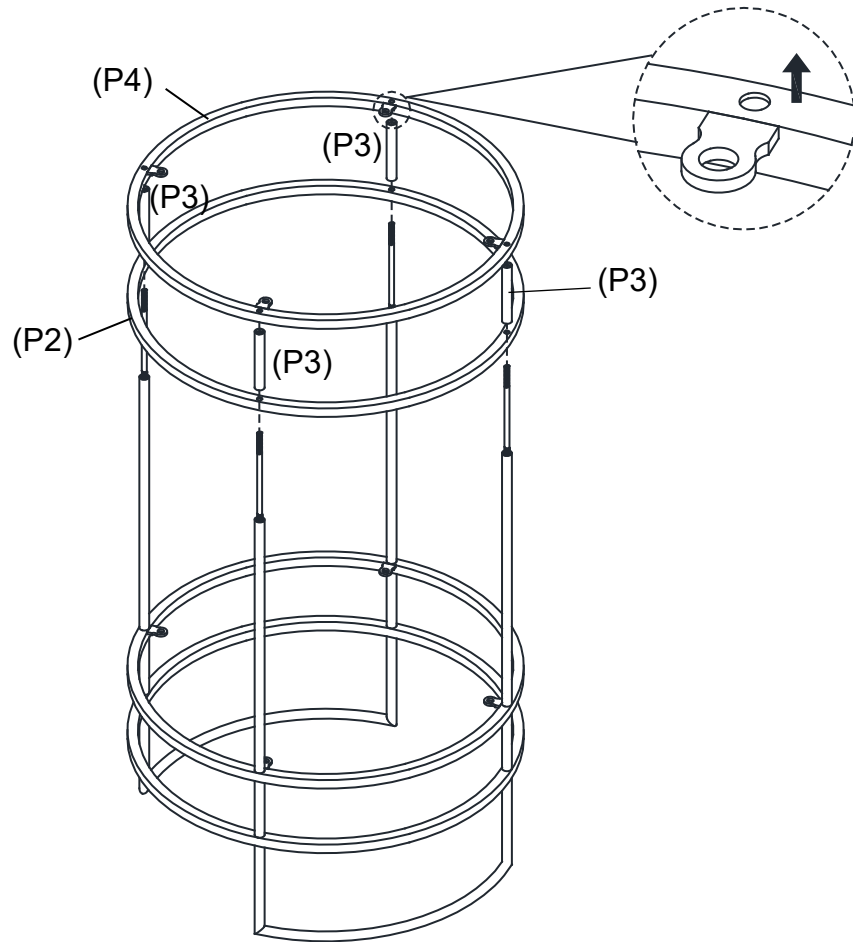


## Step 4

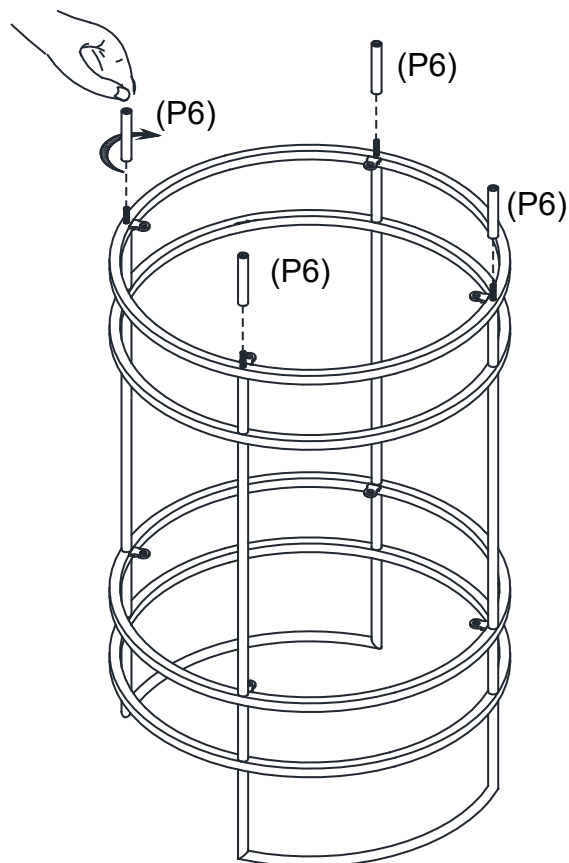
You will need	
	
4 x Bolts (H1)	




## Step 5

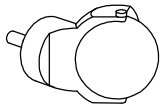


## Step 6

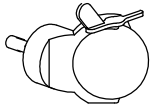


# Step 7

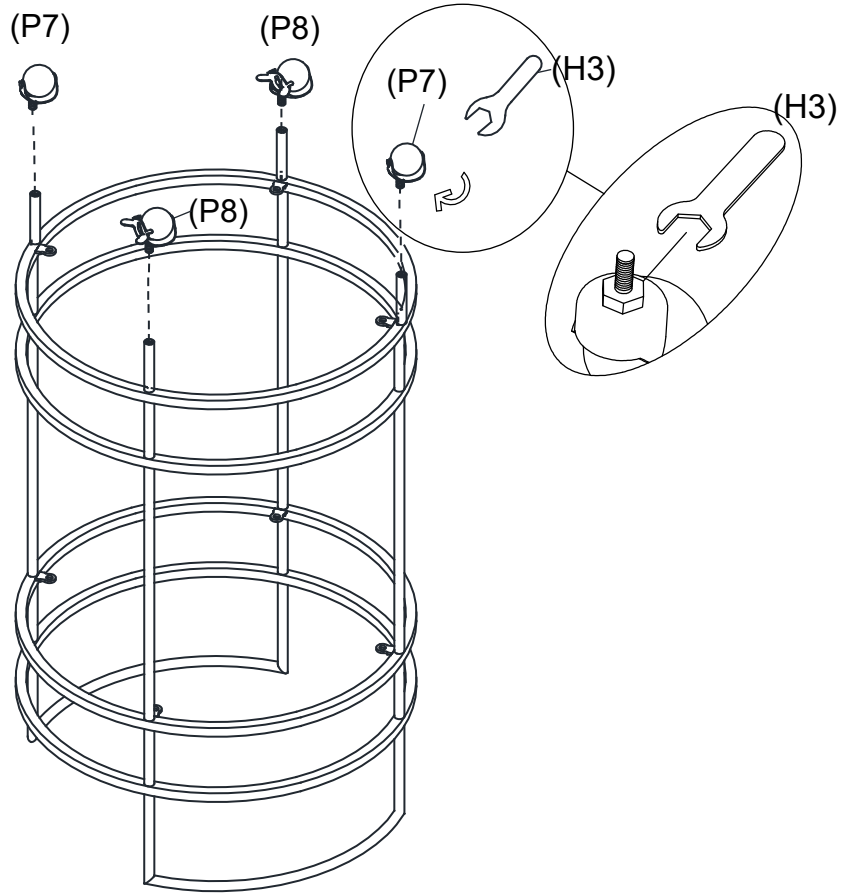
You will need	
	
Spanner (H3)	




(P7)

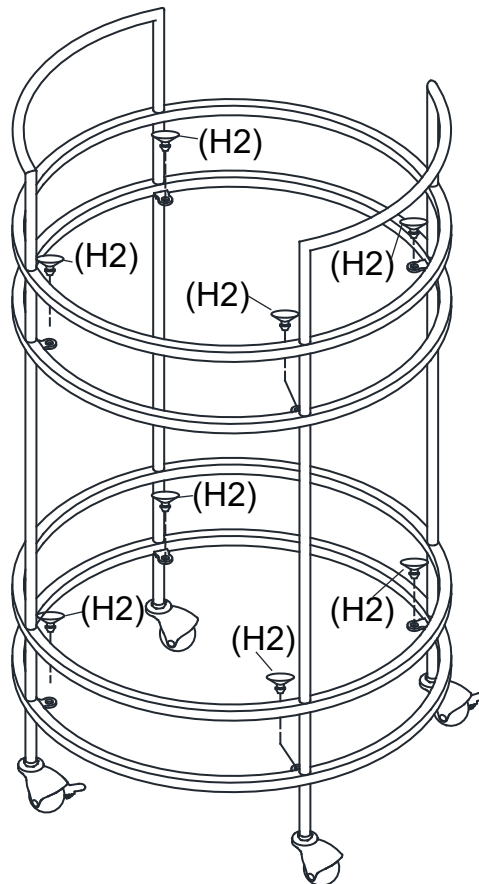


(P8)

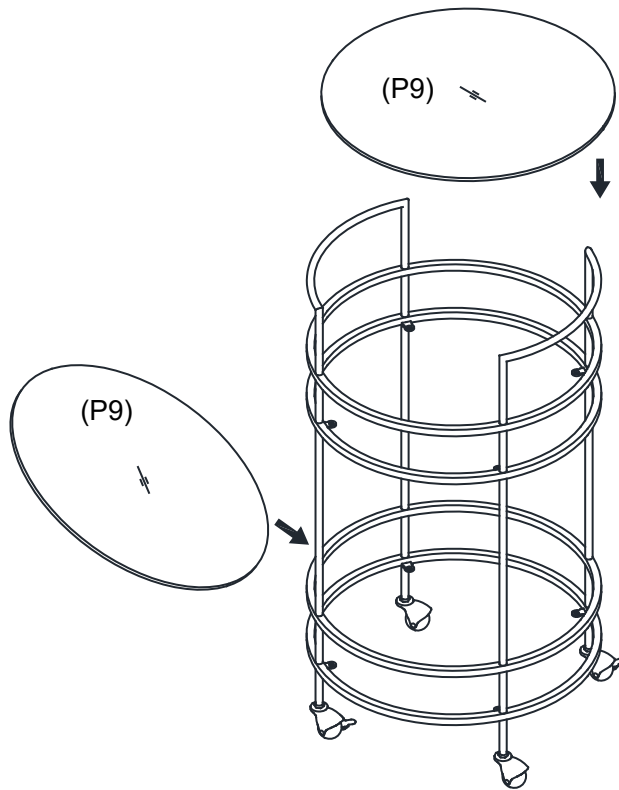


# Step 8

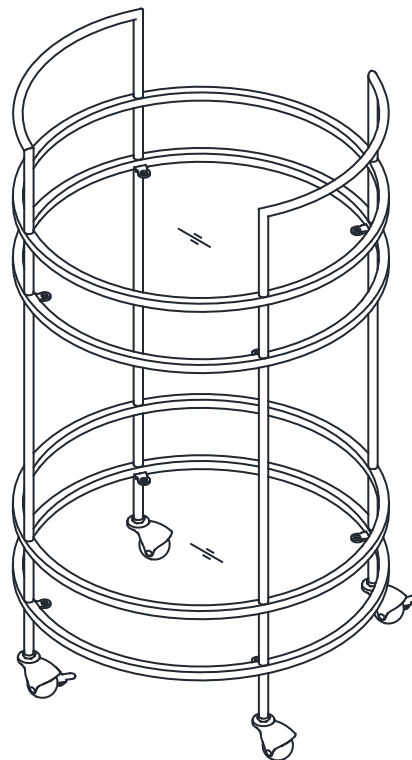
You will need	
	
8 x Suction cup (H2)	



## Step 9



## Step 10



# Job Complete!

In the interest of our environment please dispose of all packaging thoughtfully.