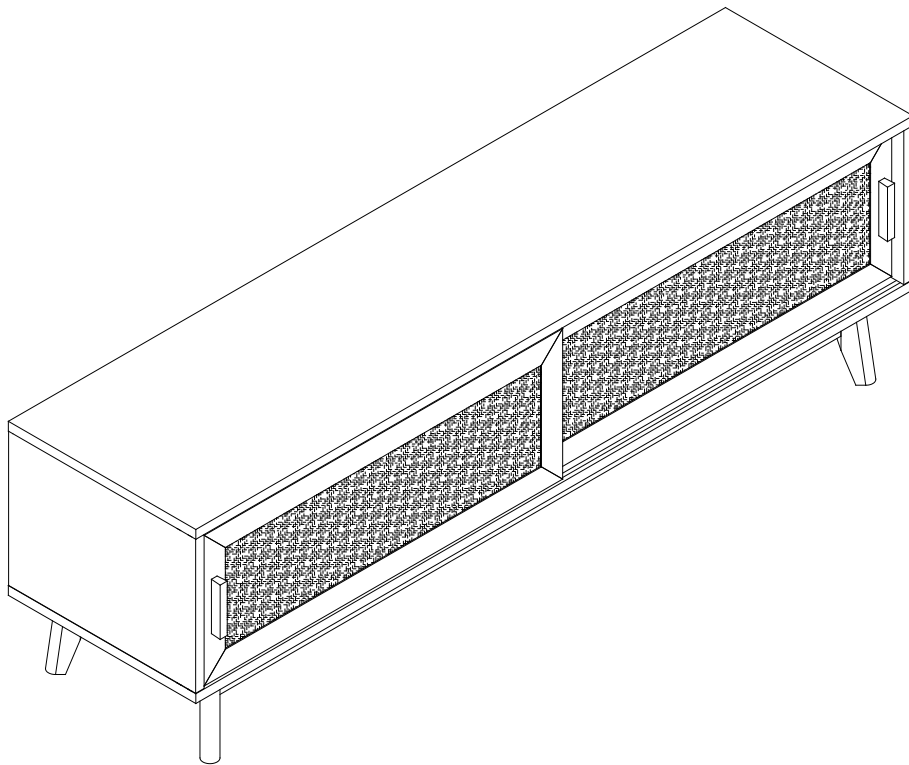


Assembly Instructions

Java TV Unit
519793-02



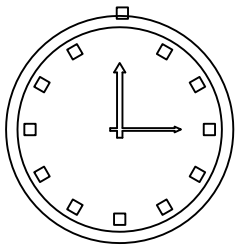
Keep these instructions for future reference

WARNING

- ! Read instructions carefully. Check no parts are missing.
- ! Assemble the furniture on a soft level surface to avoid damaging the furniture or your floor.
- ! Carefully identify each component, especially those that are similar.
- ! The most common mistake is getting things back to front.
- ! Separate and identify each component from the hardware pack and rest each one in it's proper location before fastening.
- ! We recommend furniture be assembled near where they will be placed, to avoid moving the product unnecessarily once assembled.
- ! If there is a need to move the furniture, please remove all loose items and have extra hands to help lift the furniture to the desired location. Dragging the furniture will damage both the furniture and the floor.
- ! Regularly check and re-tighten (if necessary) all bolts on furniture that you have assembled yourself.

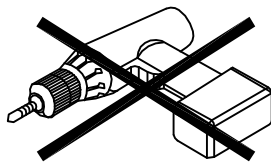
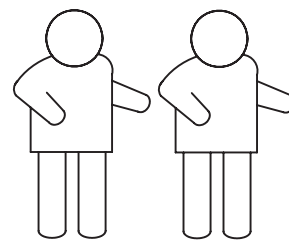
Rattan

Rattan is a natural material that will expand and contract with changes in the surrounding humidity and temperature. Each rattan piece in the furniture may also respond to these changes to a different degree. Once humidity and temperature return to normal, each rattan piece would also return to its original shape. This is a natural phenomenon and not a defect.



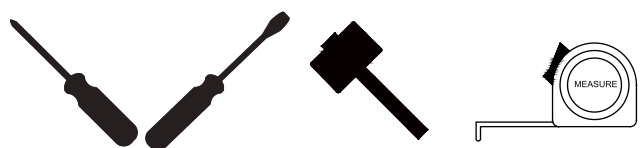
ALLOW 60 MIN

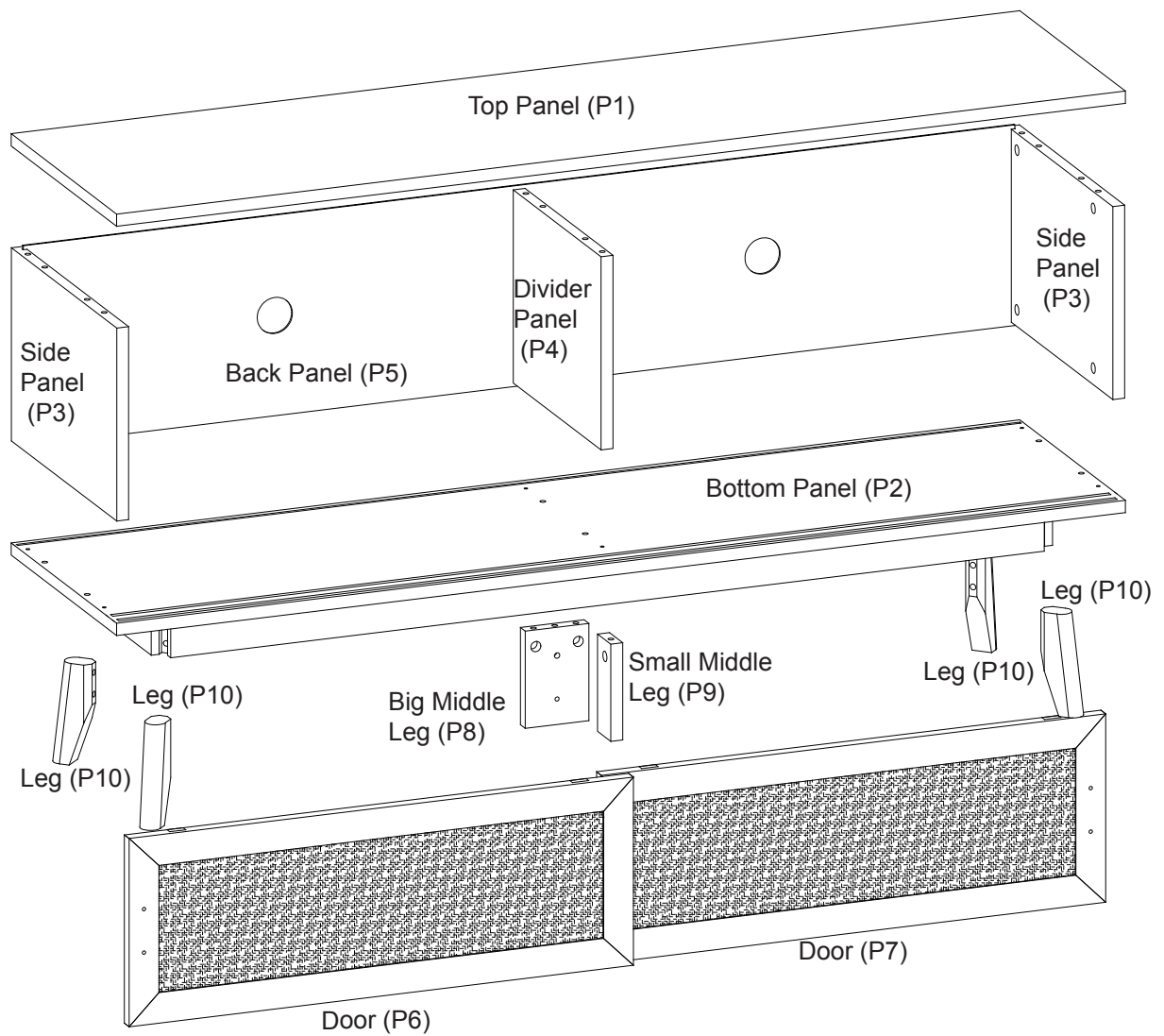
2 Persons Required



DO NOT USE ON PRODUCT

Tools Required

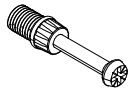




Parts list

- 1 x Top Panel (P1)
- 1 x Bottom Panel (P2)
- 2 x Side Panels (P3)
- 1 x Divider Panel (P4)
- 1 x Back Panel (P5)
- 1 x Door (P6)
- 1 x Door (P7)
- 1 x Big Middle Leg (P8)
- 1 x Small Middle Leg (P9)
- 4 x Legs (P10)

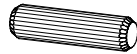
Hardware Pack



15 x Cam Bolts
(H1)



15 x Cam
Nuts (H2)



14 x Dowels
30mm (H3)



2 x Handles
(H4)



4 x Felt Feet
(H5)



22 x Screws
16mm (H6)



6 x Back Panel
Connectors (H7)



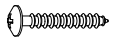
8 x Bolts
55mm (H8)



8 x Flat Washers
(H9)



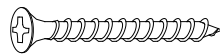
8 x Spring
Washers (H10)



4 x Screws
28mm (H11)



1 x Allen Key
(H12)



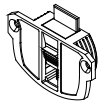
1 x Screw
38mm (H13)



1 x Adjustable
Foot (H14)



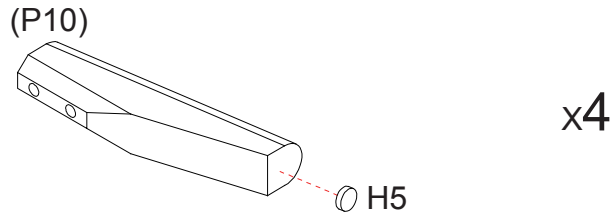
4 x Rollers
(H15)



4 x Guides
(H16)

Step 1

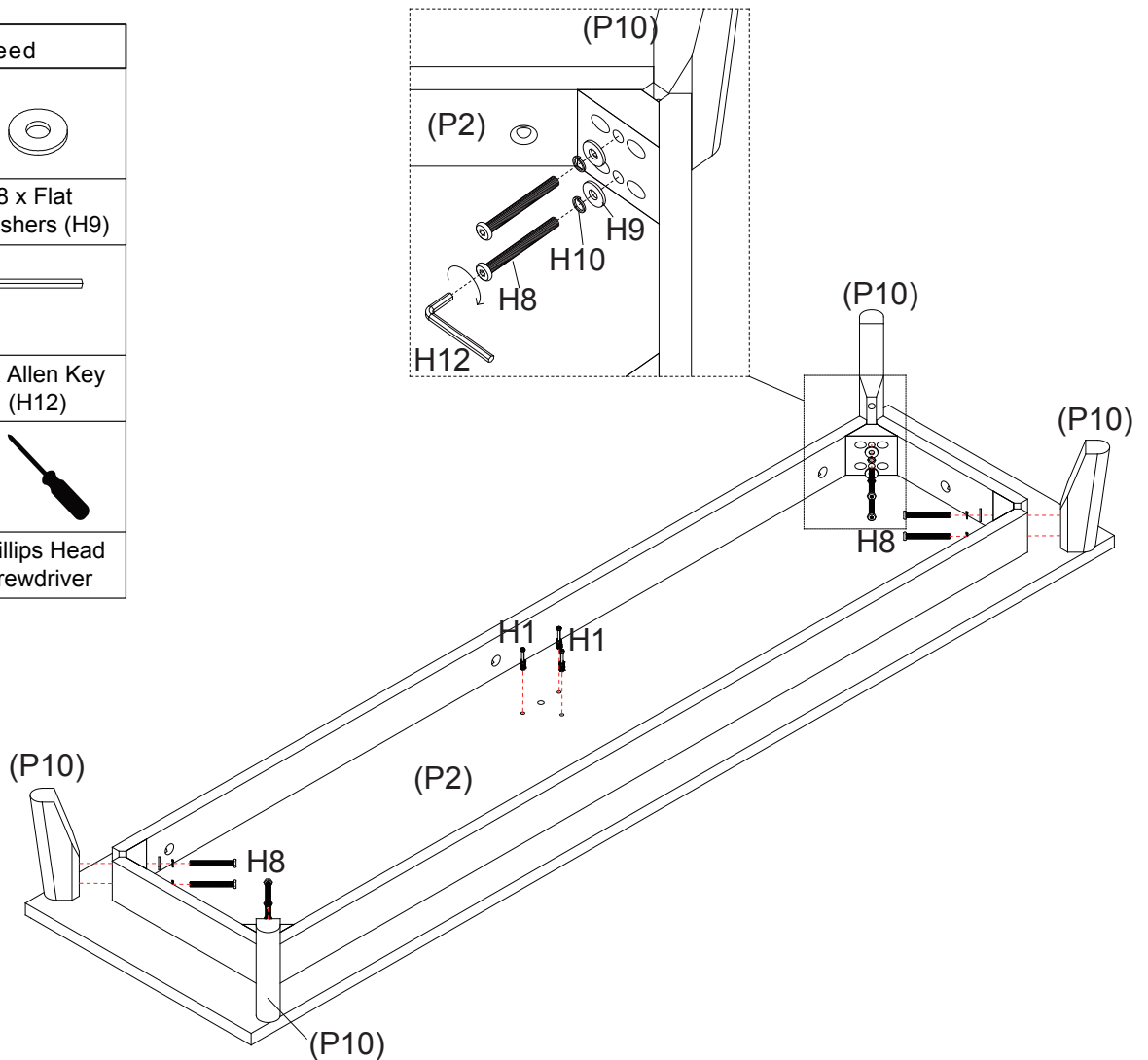
You will need	
4 x Felt Feet (H5)	



Attach 1 x felt foot (H5) onto each leg (P10) as shown.

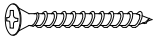




Step 2

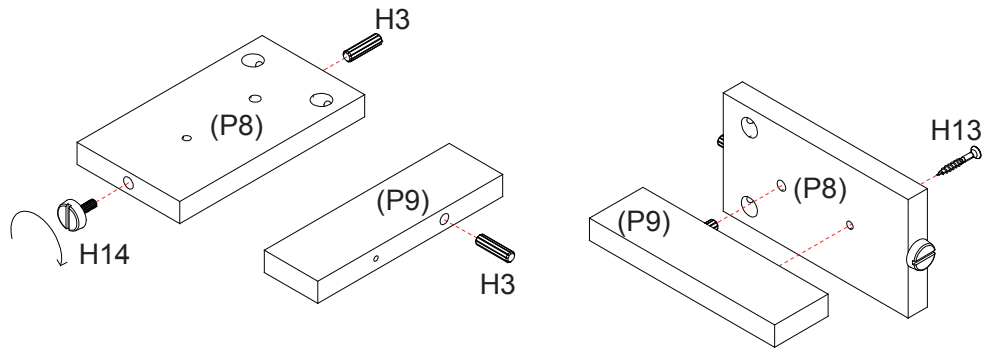
You will need	
8 x Bolts 55mm (H8)	8 x Flat Washers (H9)
8 x Spring Washers (H10)	1 x Allen Key (H12)
3 x Cam Bolts (H1)	Phillips Head Screwdriver



Attach each leg (P10) onto bottom panel (P2), using 2 x bolts (H8), 2 x flat washers (H9) and 2 x spring washers (H10). Tighten the bolts with allen key (H12).
Screw 3 x cam bolts (H1) into bottom panel (P2), using a phillips head screwdriver.



Step 3

You will need	
	
1 x Screw 38mm (H13)	Phillips Head Screwdriver
	
2 x Dowels 30mm (H3)	Mallet
	
1 x Adjustable Foot (H14)	

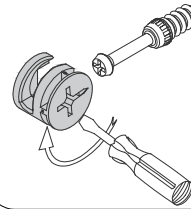


Screw 1 x adjustable foot (H14) to big middle leg (P8).
 Insert 2 x dowels (H3) into middle legs (P8) & (P9).
 Use a mallet to gently tap the dowels into place if needed.
 Attach small middle leg (P9) to big middle leg (P8)
 with 1 x screw (H13), using a phillips head screwdriver.

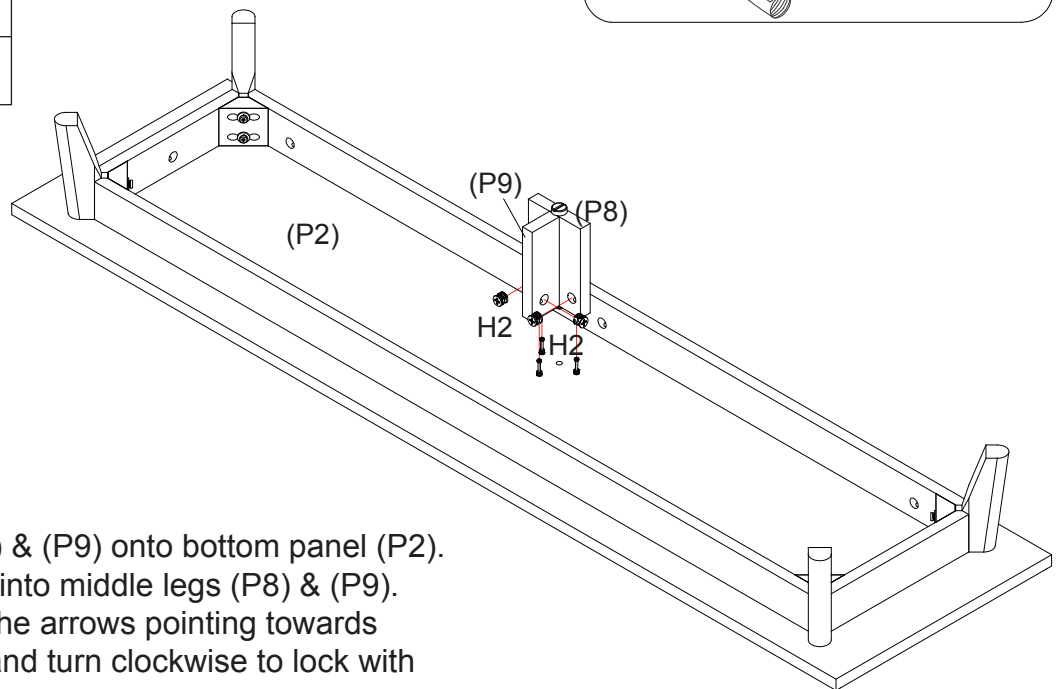
Step 4

You will need	
	
3 x Cam Nuts (H2)	Flat Head Screwdriver

This is how a cam nut works.....

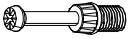



The head of the cam bolt goes into the open mouth of the cam nut. You then turn the cam nut so it tightens over the bolt.

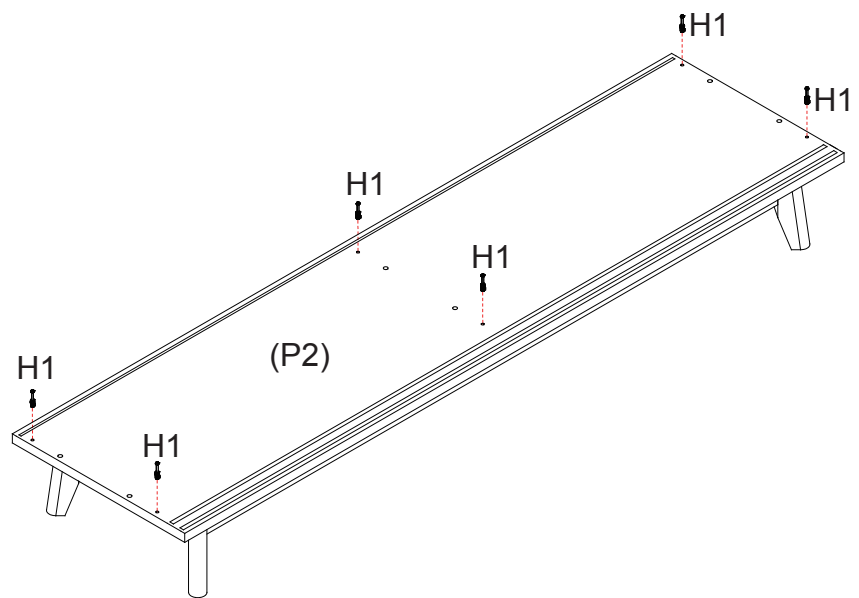


Position middle legs (P8) & (P9) onto bottom panel (P2).
 Insert 3 x cam nuts (H2) into middle legs (P8) & (P9).
 Rotate the cam nuts so the arrows pointing towards the incoming cam bolts and turn clockwise to lock with a flat head screwdriver.
 Turn the assembled unit over.



Step 5

You will need	
	
6 x Cam Bolts (H1)	Phillips Head Screwdriver

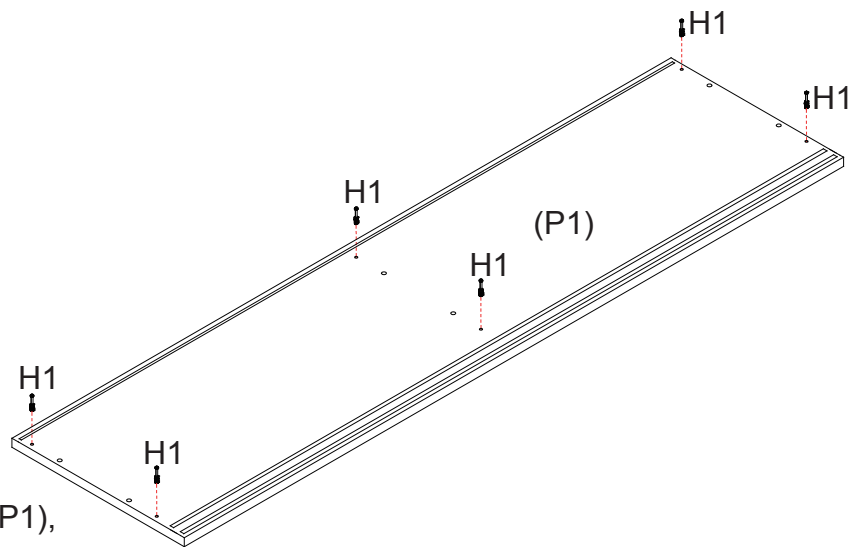
Screw 6 x cam bolts (H1) into bottom panel (P2), using a phillips head screwdriver.





Step 6

You will need	
	
6 x Cam Bolts (H1)	Phillips Head Screwdriver

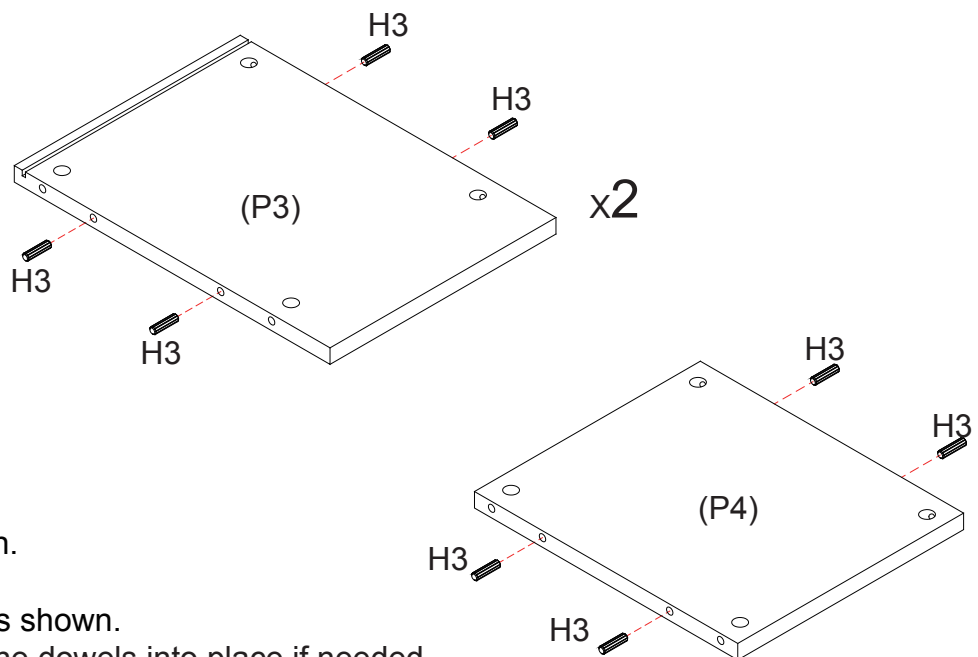
Screw 6 x cam bolts (H1) into top panel (P1), using a phillips head screwdriver.





Step 7

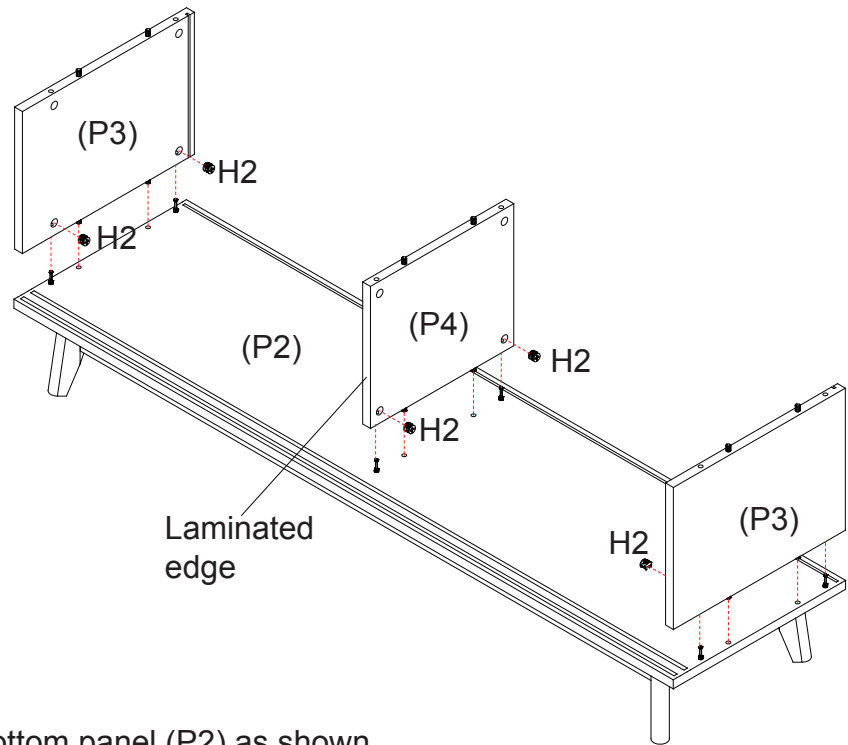
You will need	
	
12 x Dowels 30mm (H3)	Mallet

Insert 4 x dowels (H3) into divider panel (P4) as shown.
 Insert 4 x dowels (H3) into each side panel (P3) as shown.
 Use a mallet to gently tap the dowels into place if needed.



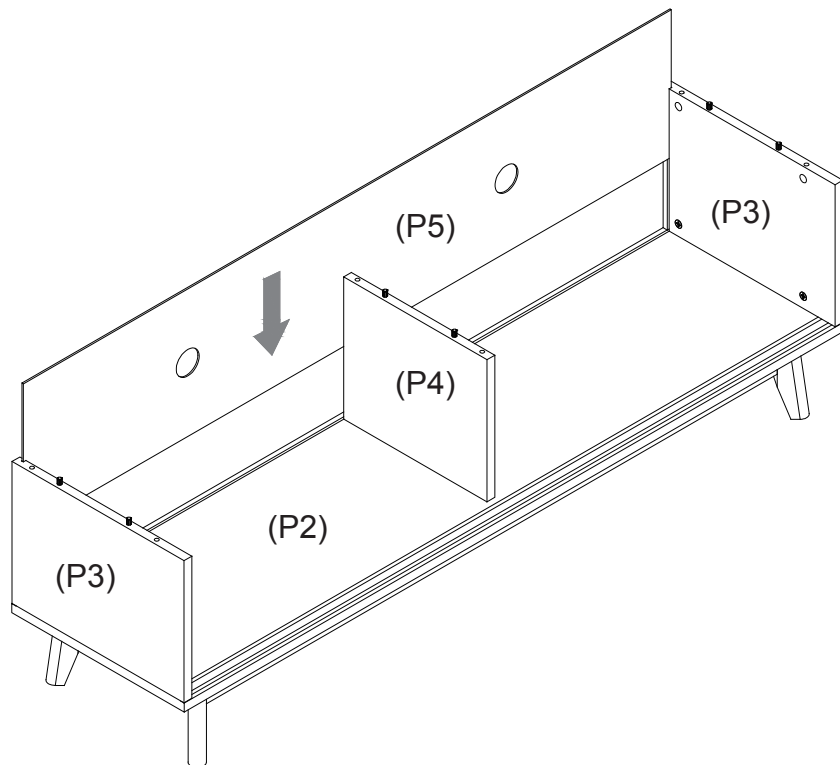
Step 8

You will need	
	
6 x Cam Nuts (H2)	Flat Head Screwdriver





Position panels (P3) & (P4) onto bottom panel (P2) as shown. Insert 6 x cam nuts (H2) into panels (P3) & (P4), turn clockwise to lock using a flat head screwdriver.

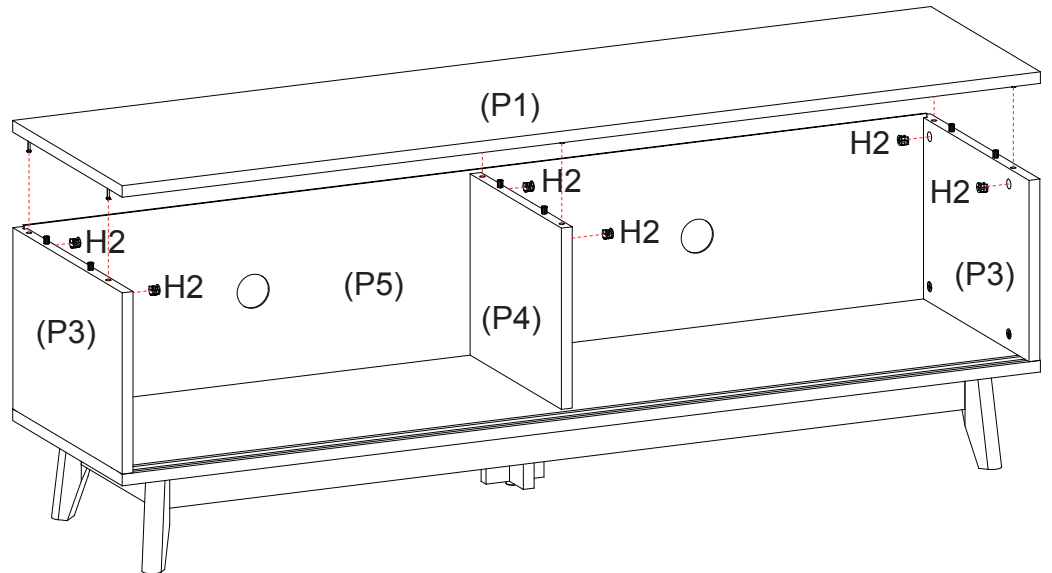
Step 9



Slide back panel (P5) into the grooves in panels (P2) and (P3).




Step 10

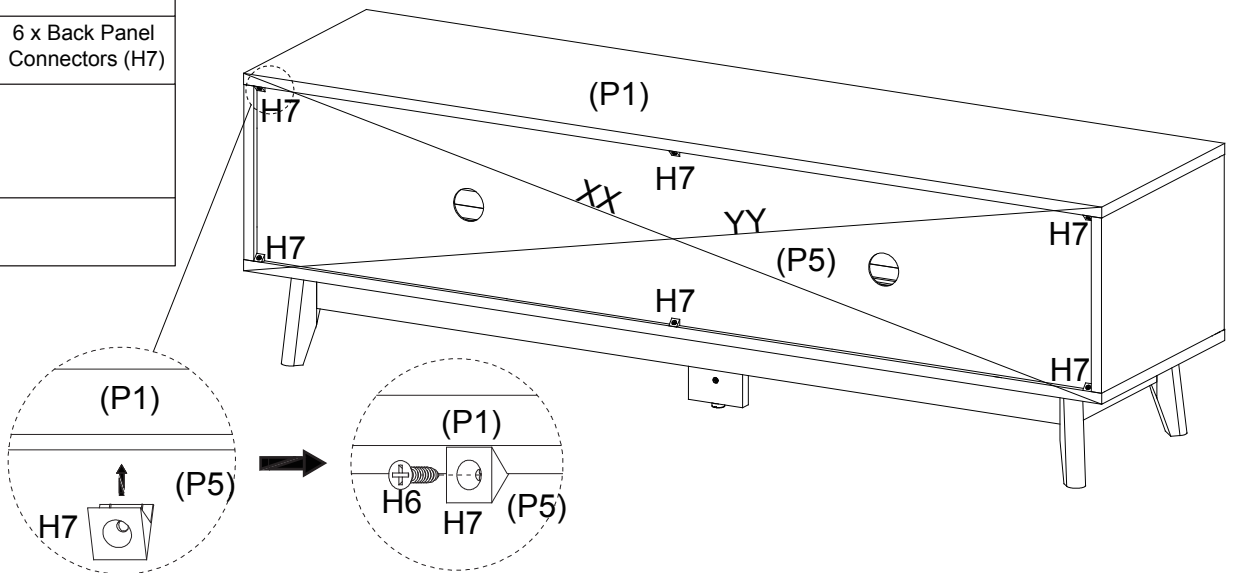
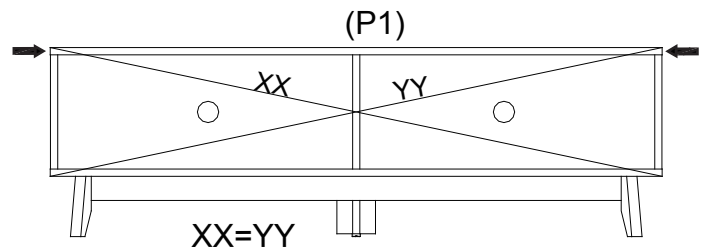
You will need	
	
6 x Cam Nuts (H2)	Flat Head Screwdriver



Position top panel (P1) onto panels (P3), (P4) & (P5) as shown. Make sure the groove in top panel (P1) is on the same side as the side panel (P3). Insert 6 x cam nuts (H2) into panels (P3) and (P4), using a flat head screwdriver turn clockwise to lock.

Step 11

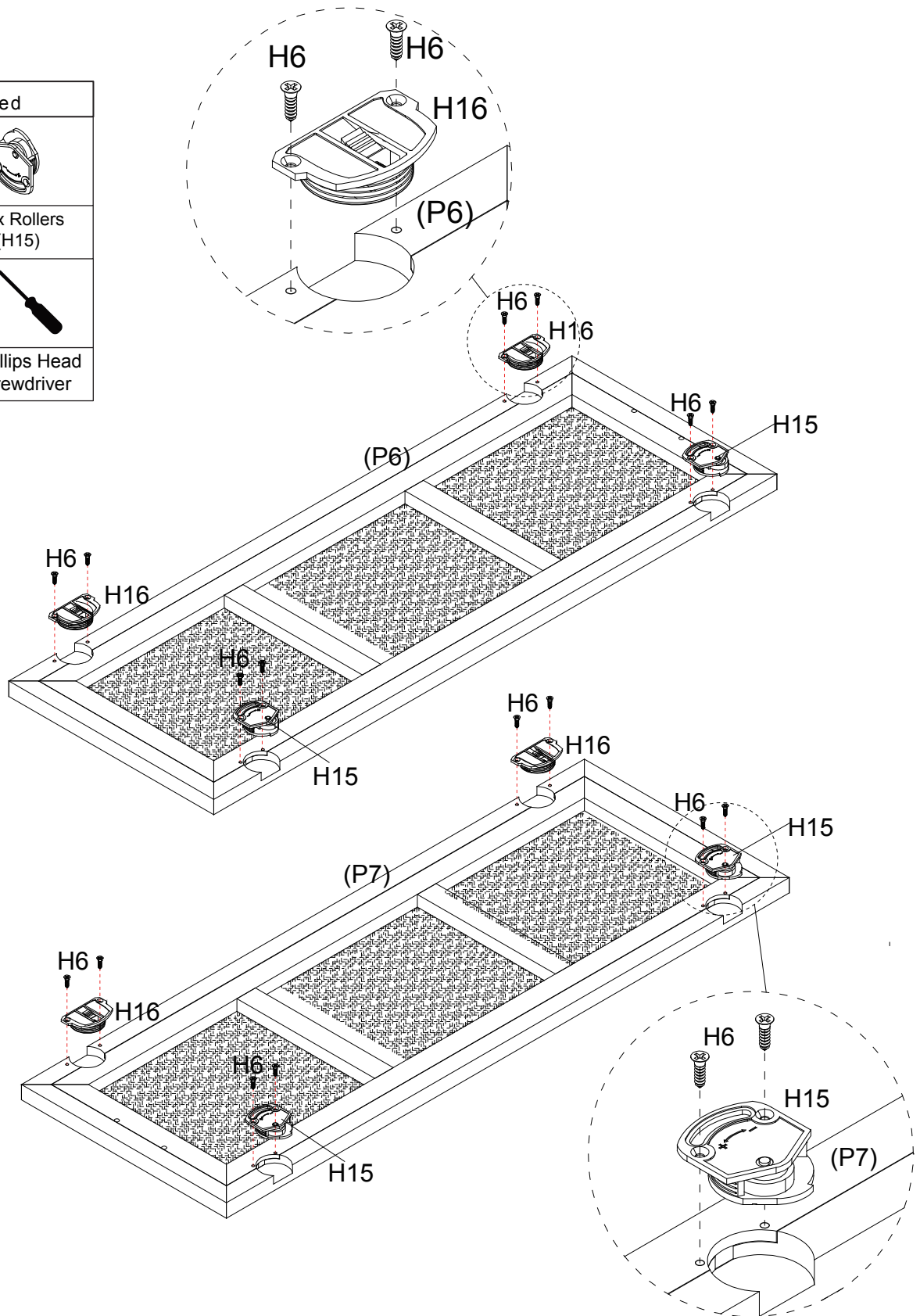
You will need	
	
6 x Screws 16mm (H6)	6 x Back Panel Connectors (H7)
	
Phillips Head Screwdriver	



If necessary, gently adjust the top panel (P1) sideways in either direction until XX and YY are equal. Holding it in place, fix 6 x back panel connectors (H7) to assembled unit with 6 x screws (H6) as shown, using a phillips head screwdriver.

Step 12

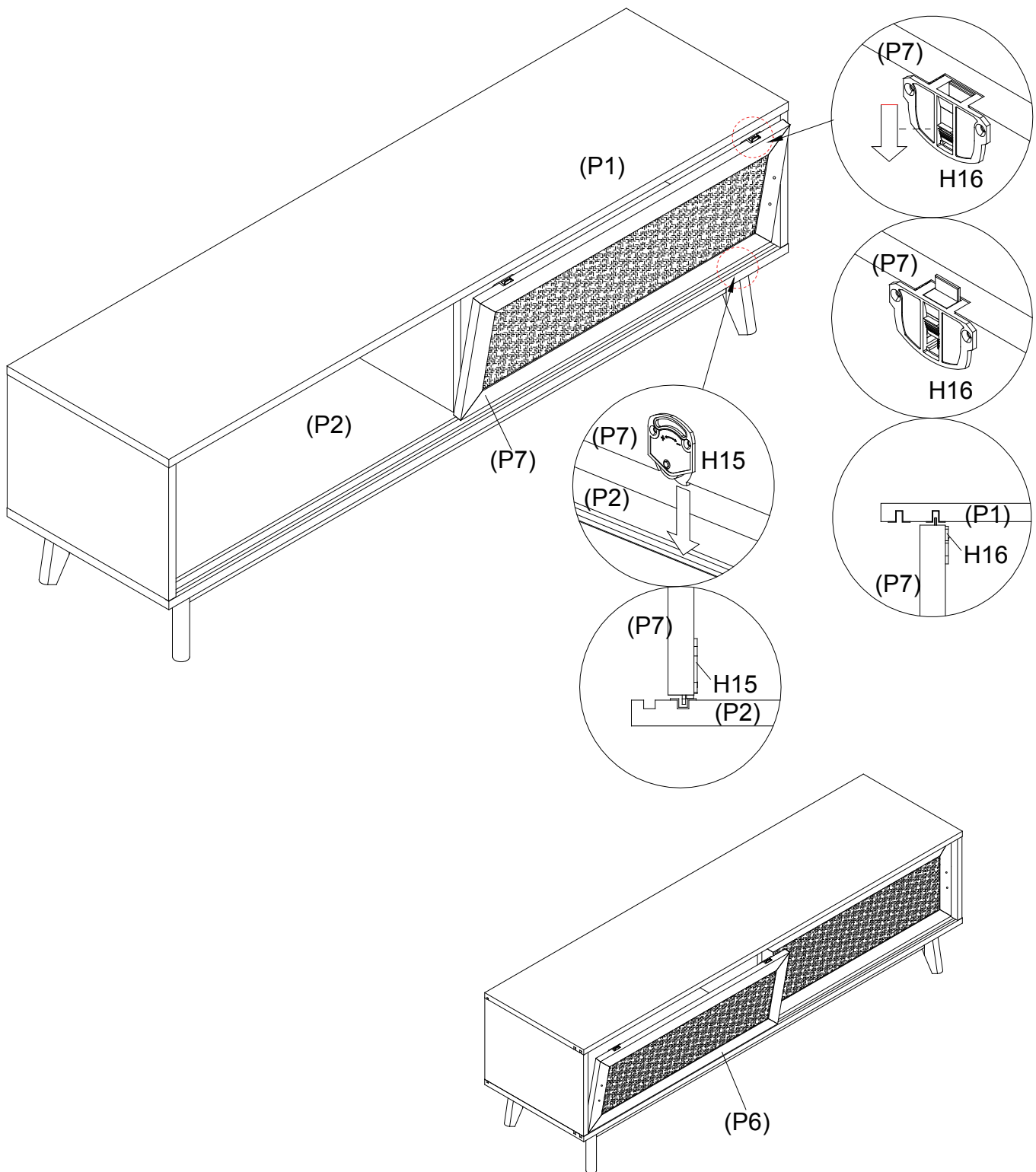
You will need	
4 x Guides (H16)	4 x Rollers (H15)
16 x Screws 16mm (H6)	Phillips Head Screwdriver



Attach 2 x guides (H16) to each door (P6) and (P7) with 4 x screws (H6), using a phillips head screwdriver as shown.

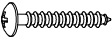


Attach 2 x rollers (H15) to each door (P6) and (P7) with 4 x screws (H6), using a phillips head screwdriver as shown.

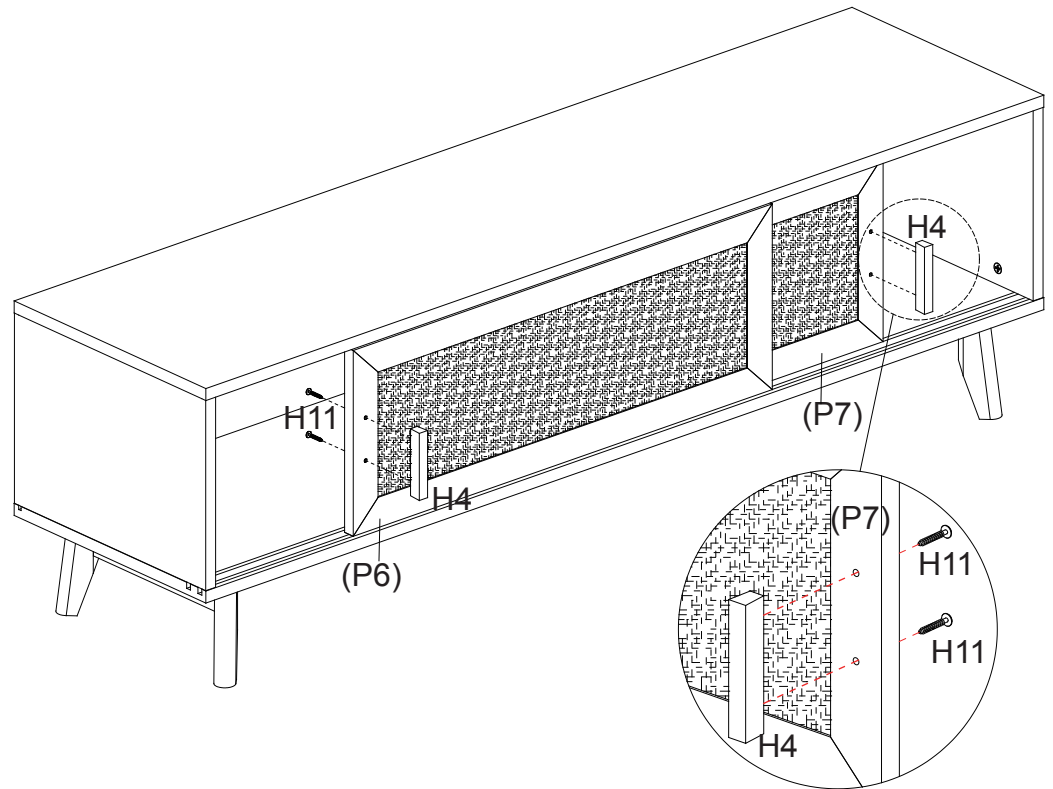
Step 13



If necessary, push the button shown to retract the tabs on guides (H16) on door (P7). Position door (P7) so that its rollers fit into the inner track on panel (P2). Tilt door (P7) into position. Push the button on guides (H16) again to extend the tabs into the guide tracks on panel (P1). Repeat with door (P6) on the outer track.

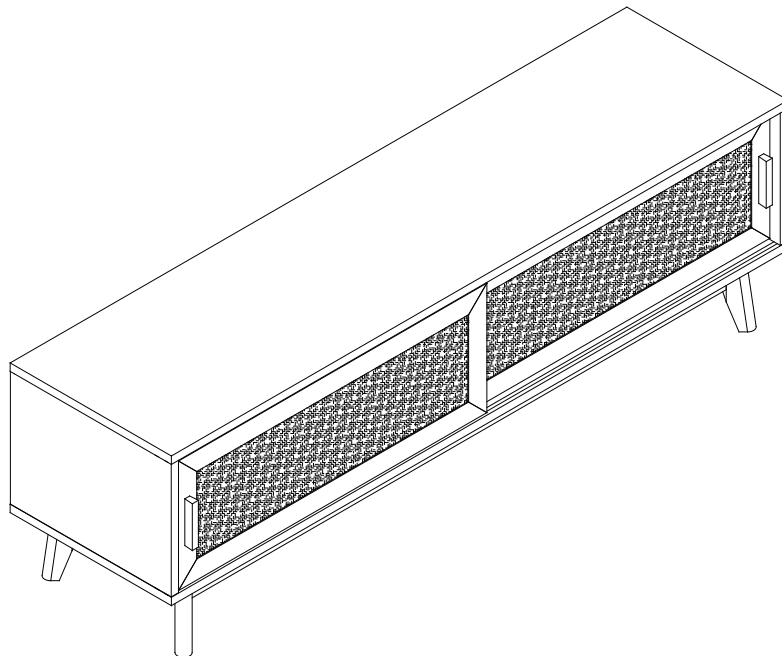
Step 14

You will need	
	
4 x Screws 28mm (H11)	2 x Handles (H4)
	
Phillips Head Screwdriver	



Attach 1 x handle (H4) onto each door (P6) & (P7) with 2 x screws (H11), using a phillips head screwdriver as shown.

Step 15



Job complete!

In the interest of our environment please dispose of all packaging thoughtfully.