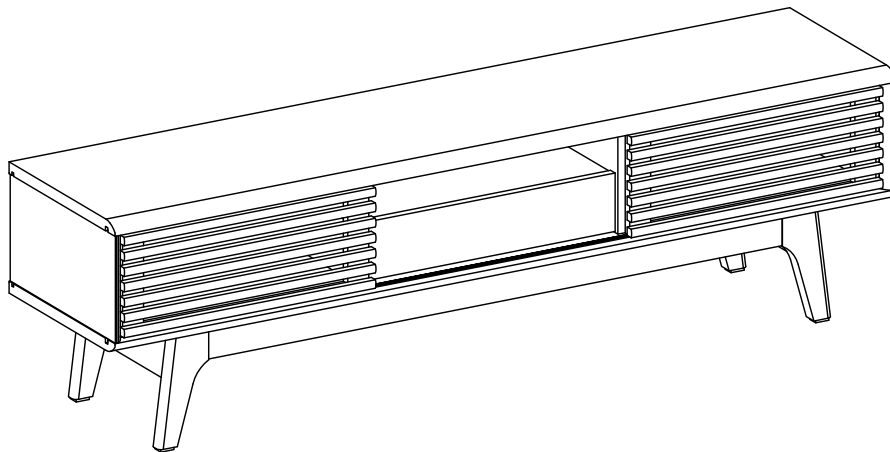


**ASSEMBLY INSTRUCTION
COPEN II 150 TV STAND
520978**



Keep these instructions for future reference

WARNING

Read instructions carefully. Check no parts are missing.

Assemble the furniture on a soft level surface to avoid damaging the furniture or your floor.

Carefully identify each component, especially those that are similar.

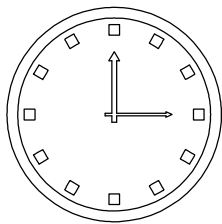
The most common mistake is getting things back to front.

Separate and identify each component from the hardware pack and rest each one in it's proper location before fastening.

We recommend furniture be assembled near where they will be placed, to avoid moving the product unnecessarily once assembled.

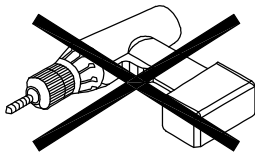
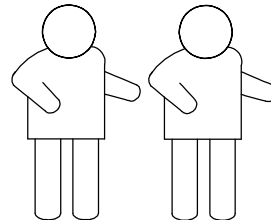
If there is a need to move the furniture, please remove all loose items and have extra hands to help lift the furniture to the desired location. Dragging the furniture will damage both the furniture and the floor.

Regularly check and re-tighten (if necessary) all bolts on furniture that you have assembled yourself.



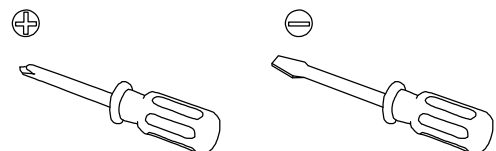
ALLOW 45 MIN

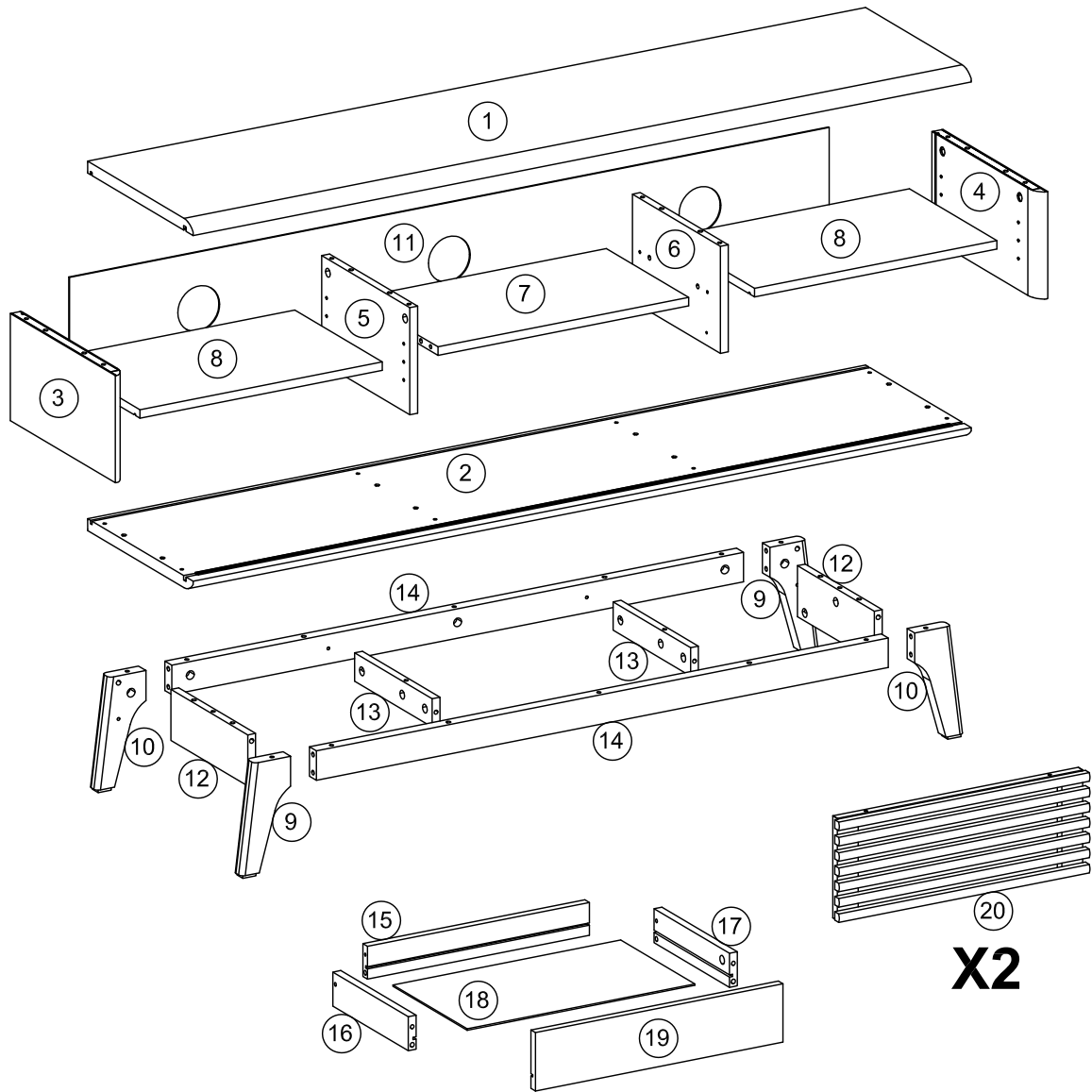
2 Persons Required



DO NOT USE ON PRODUCT



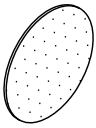

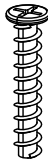






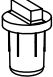

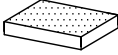


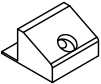
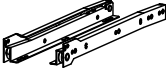
Tools Required



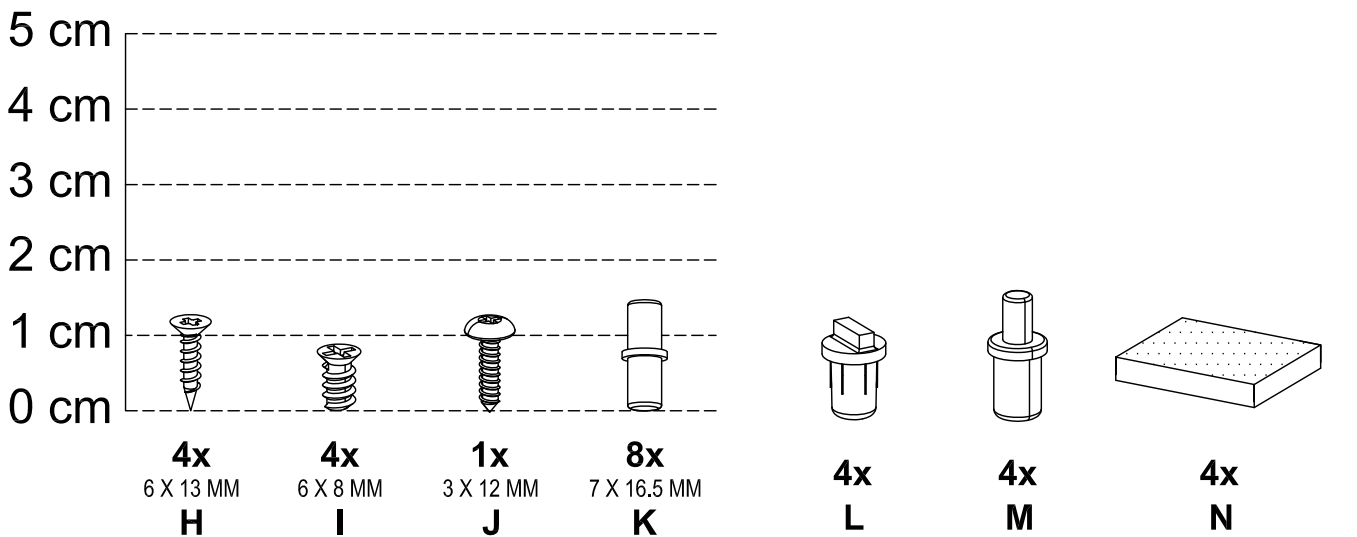
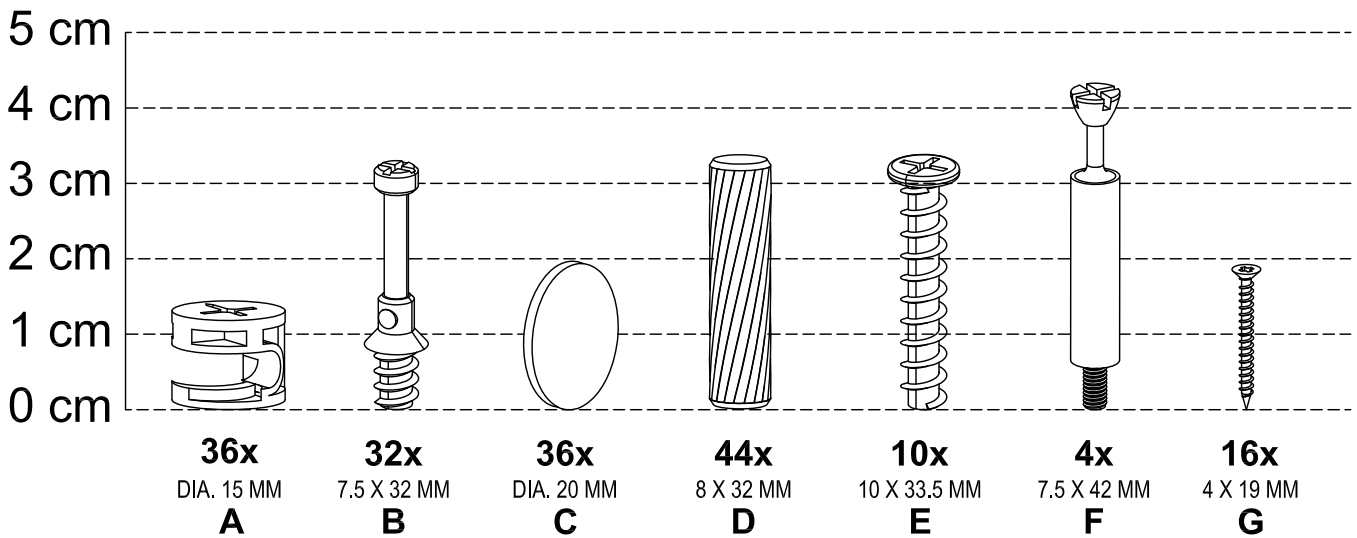


CHECK LIST

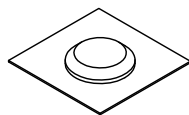


<p>A <input type="checkbox"/></p>  <p>Ø15 mm Ax36</p>	<p>B <input type="checkbox"/></p>  <p>Ø7.5x32 mm Bx32</p>	<p>C <input type="checkbox"/></p>  <p>Ø20 mm Cx36</p>	<p>D <input type="checkbox"/></p>  <p>Ø8x32 mm Dx44</p>	<p>E <input type="checkbox"/></p>  <p>M10x33.5 mm Ex10</p>
<p>F <input type="checkbox"/></p>  <p>Ø7.5x42 mm Fx4</p>	<p>G <input type="checkbox"/></p>  <p>M4x19 mm Gx16</p>	<p>H <input type="checkbox"/></p>  <p>M6x13 mm Hx4</p>	<p>I <input type="checkbox"/></p>  <p>M6x8 mm Ix4</p>	<p>J <input type="checkbox"/></p>  <p>M3x12 mm Jx1</p>
<p>K <input type="checkbox"/></p>  <p>M7x16.5 mm Kx8</p>	<p>L <input type="checkbox"/></p>  <p>Lx4</p>	<p>M <input type="checkbox"/></p>  <p>Mx4</p>	<p>N <input type="checkbox"/></p>  <p>Nx4</p>	<p>O <input type="checkbox"/></p>  <p>Ox1</p>
<p>P <input type="checkbox"/></p>  <p>Px8</p>	<p>Q <input type="checkbox"/></p>  <p>Qx16</p>	<p>R <input type="checkbox"/></p>  <p>Rx1set</p>		

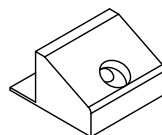
HARDWARE LIST



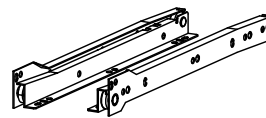
1x
O



8x
P



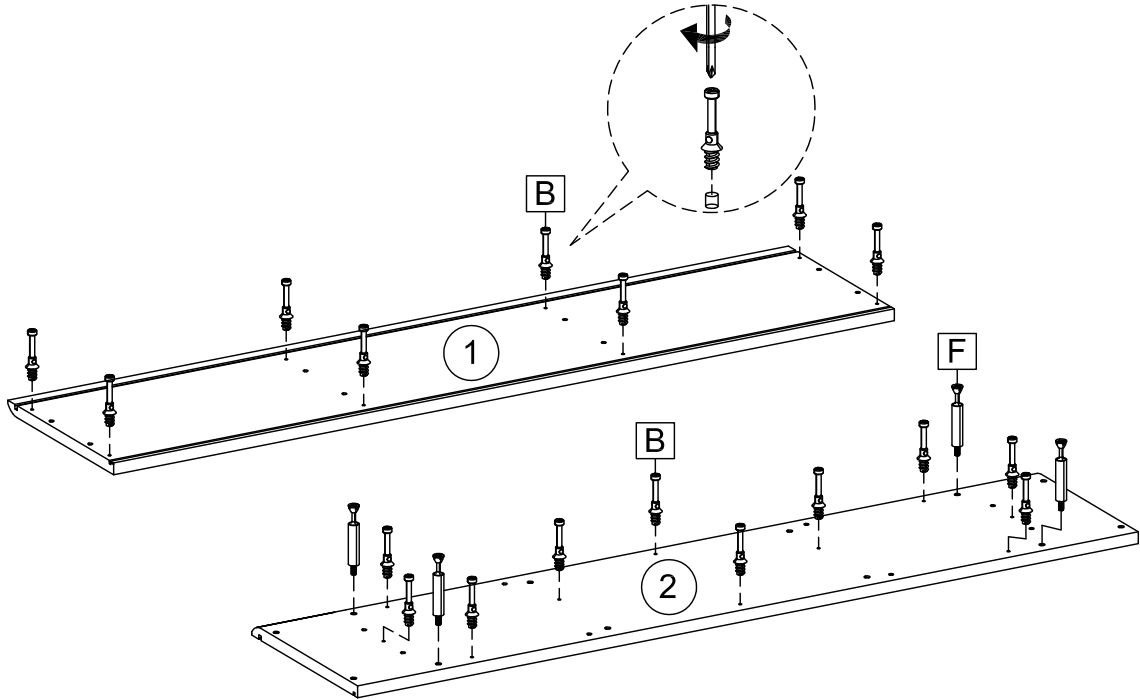
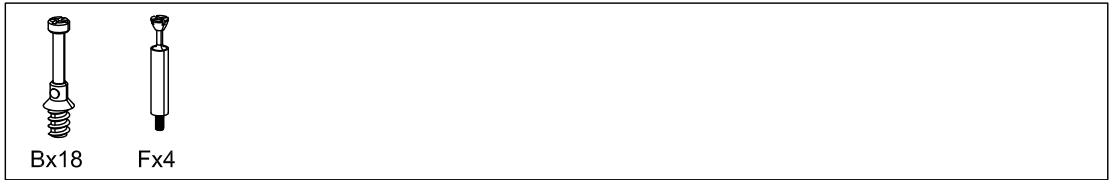
16x
Q



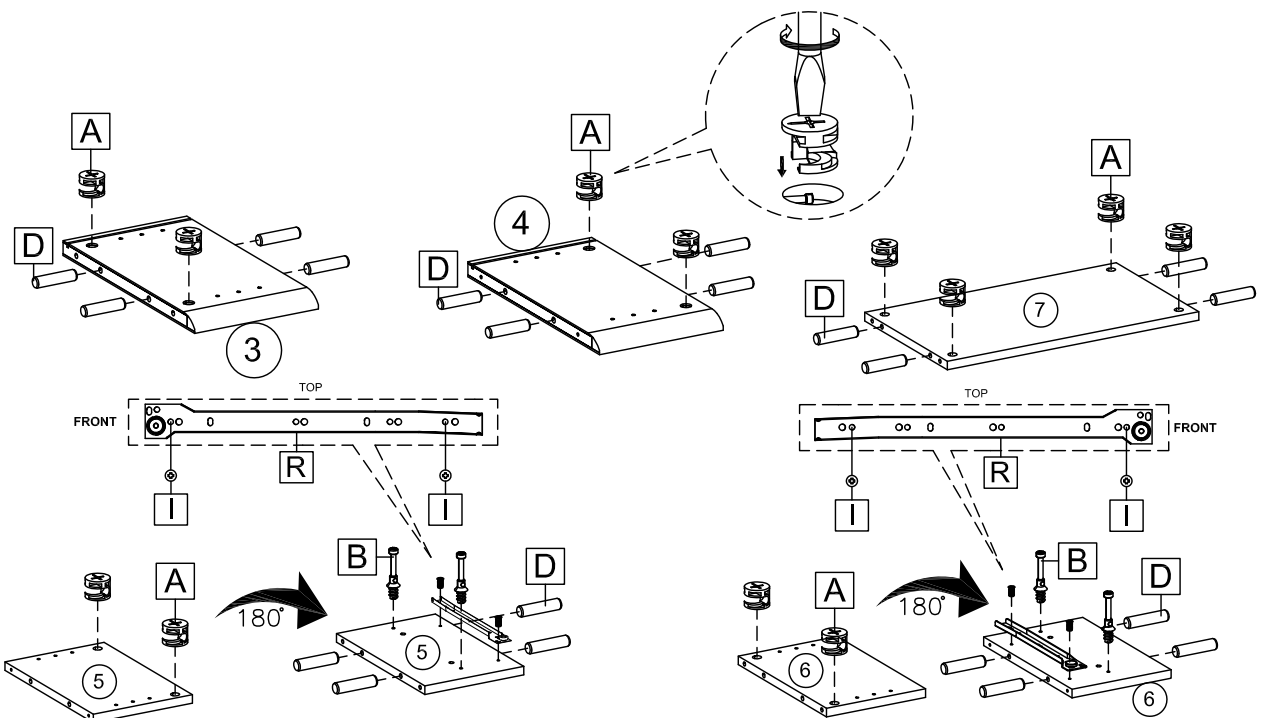
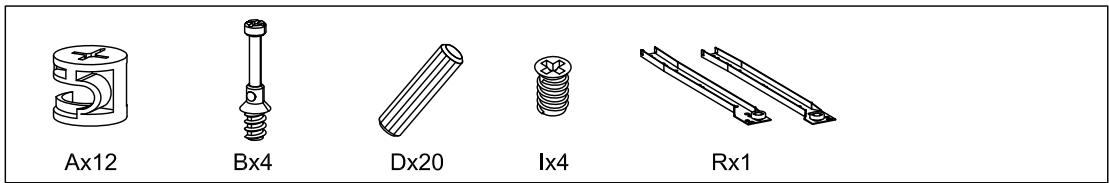
1 SET
R

1x
S

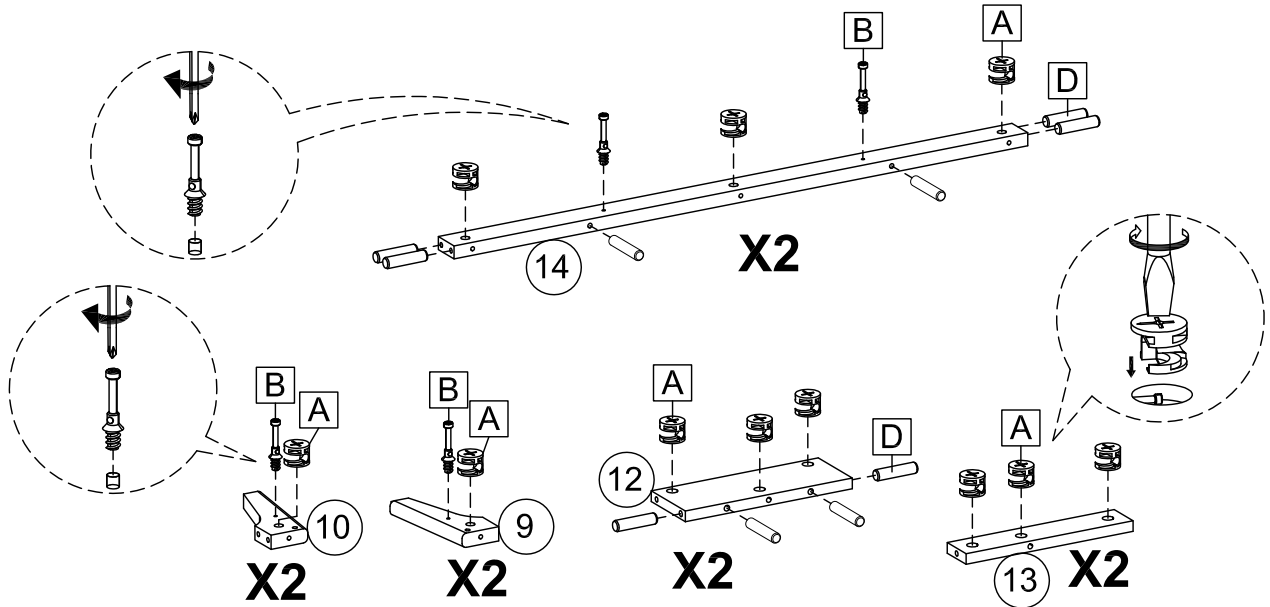
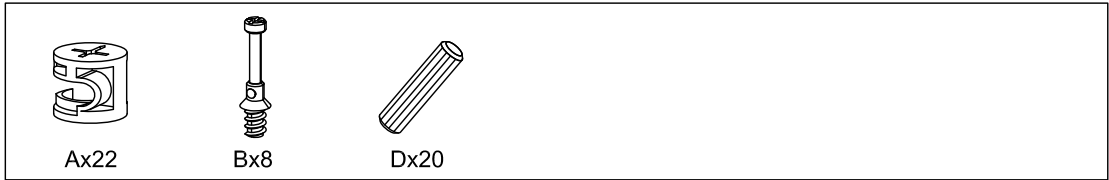
1



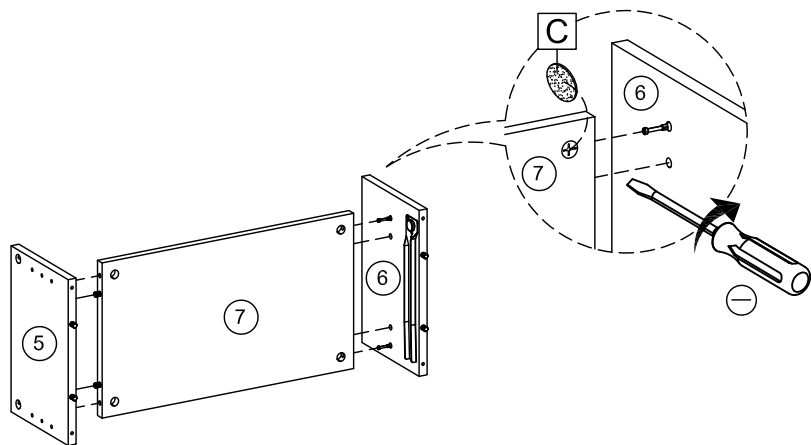
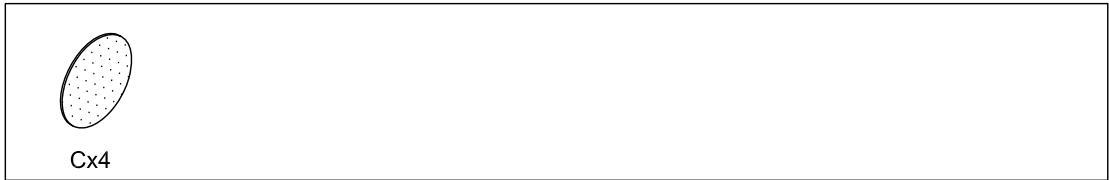
2



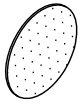
3



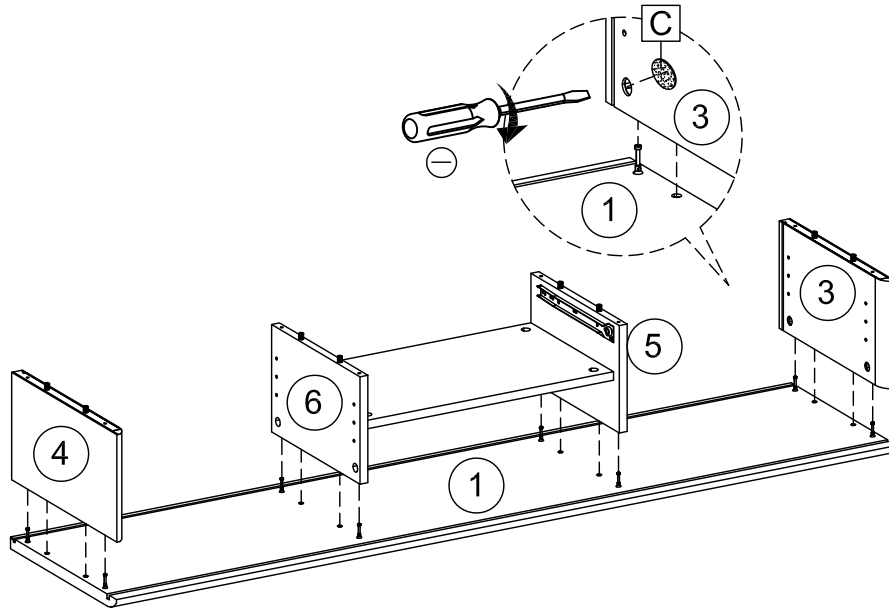
4



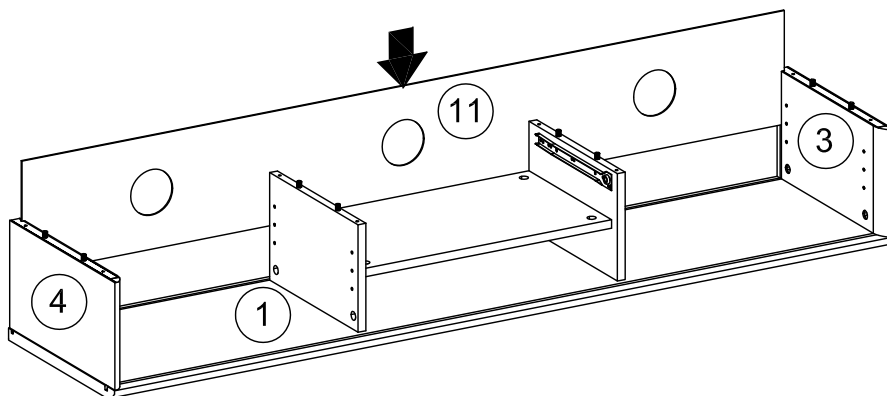
5



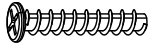
Cx8



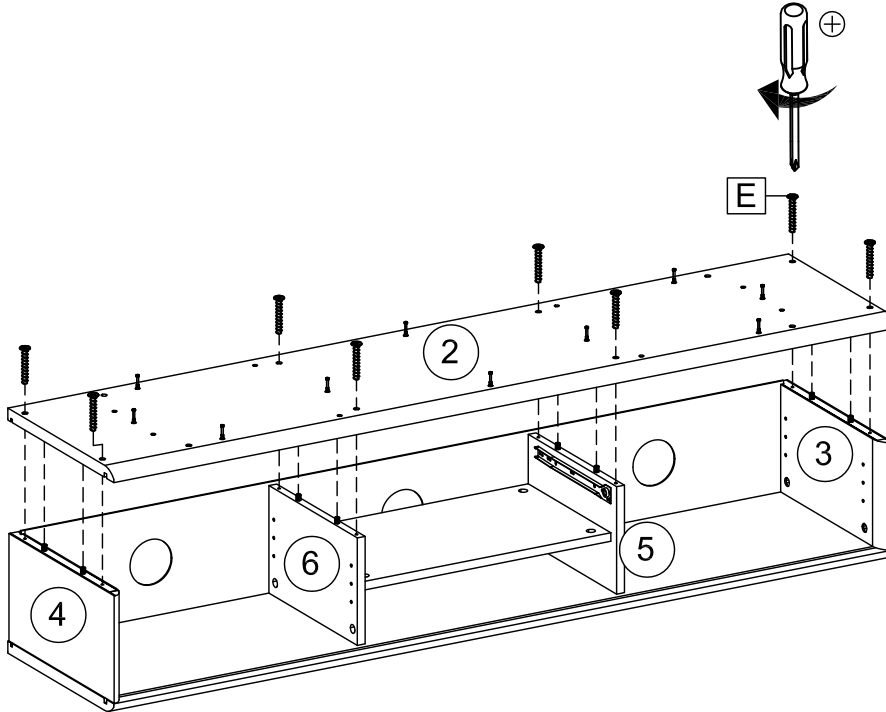
6



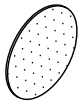
7



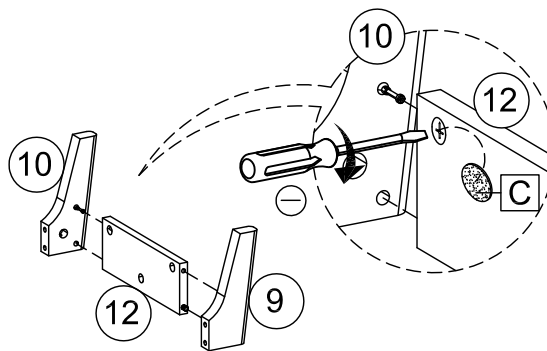
Ex8



8

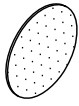


Cx4

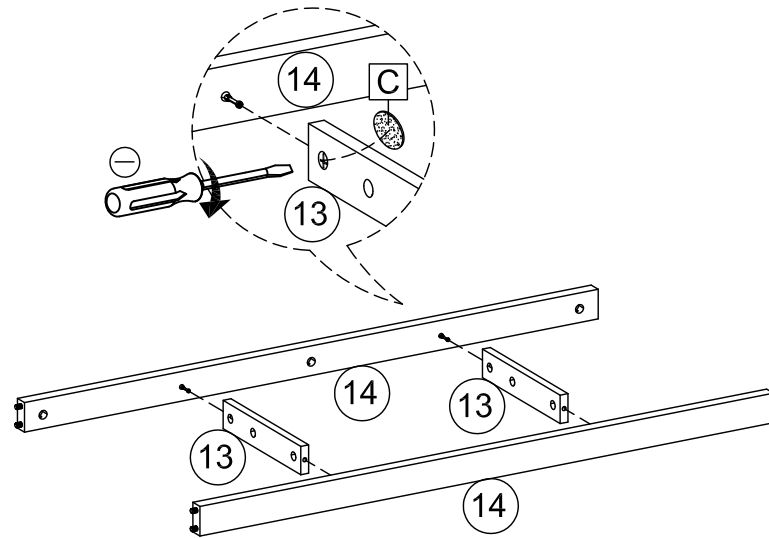


X2

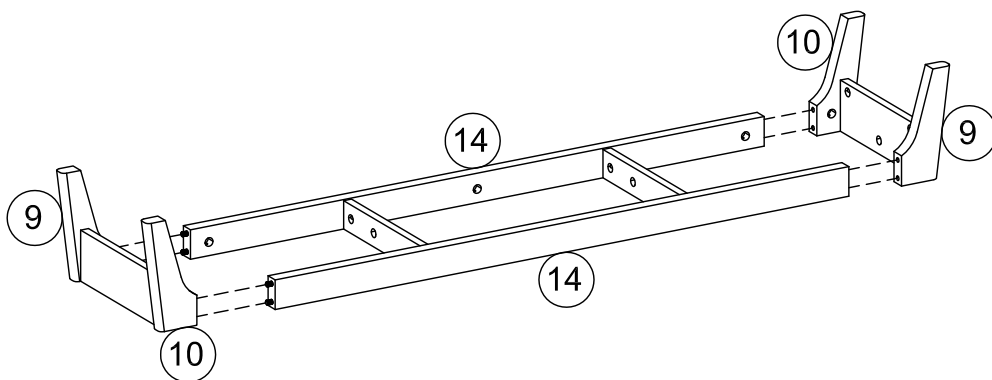
9



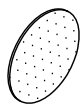
Cx4



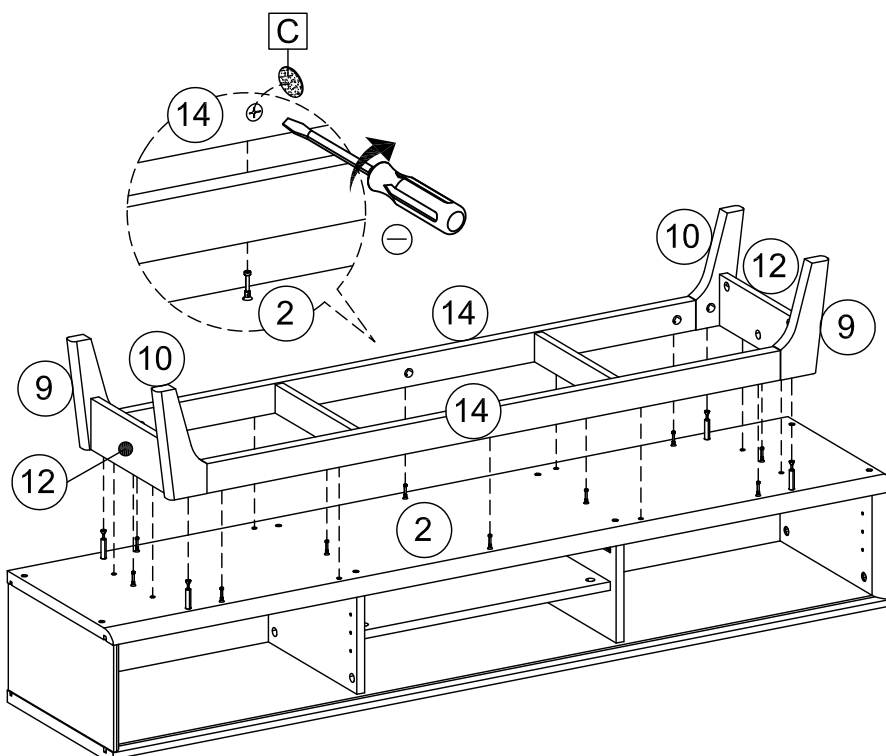
10



11



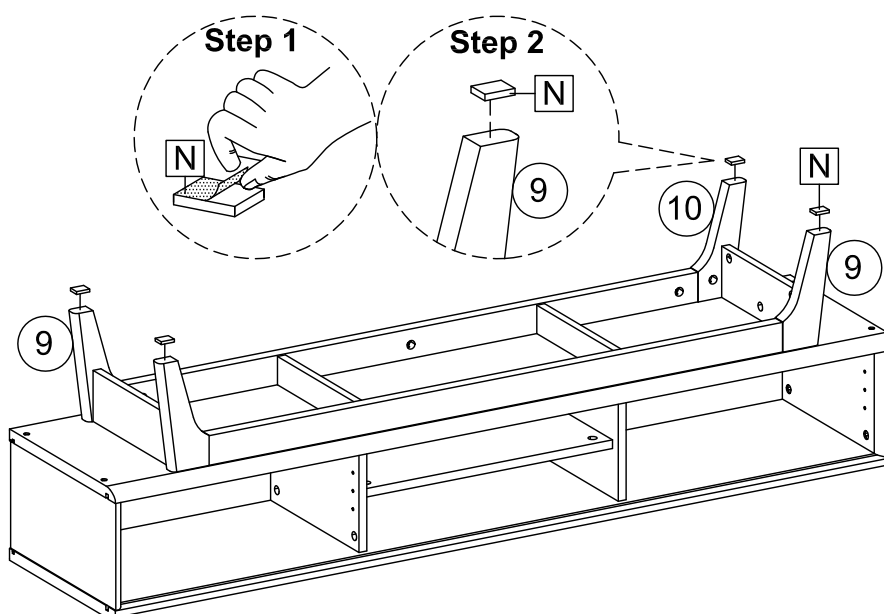
Cx14



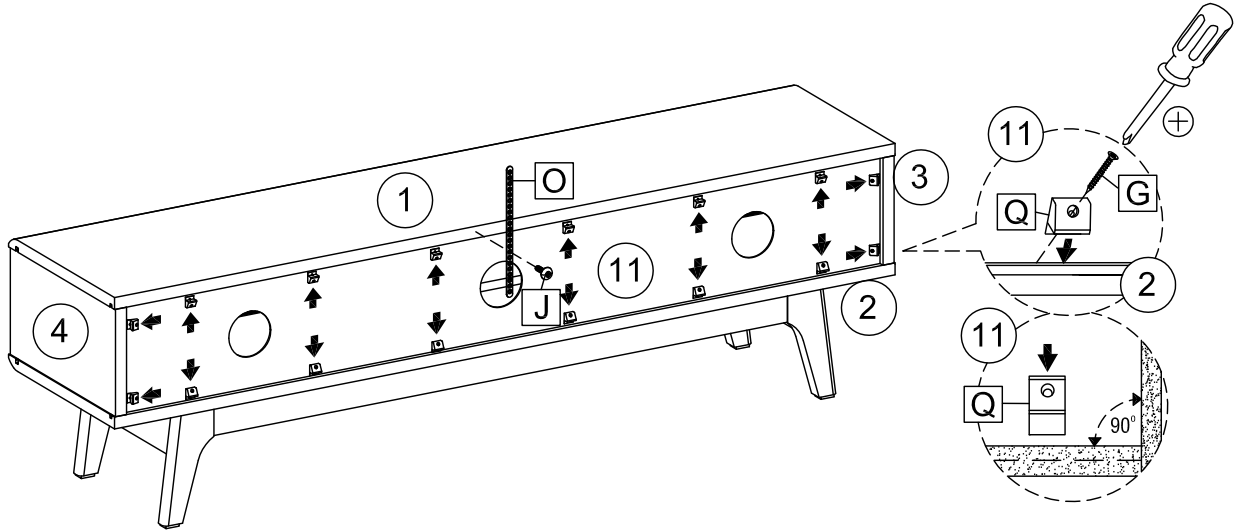
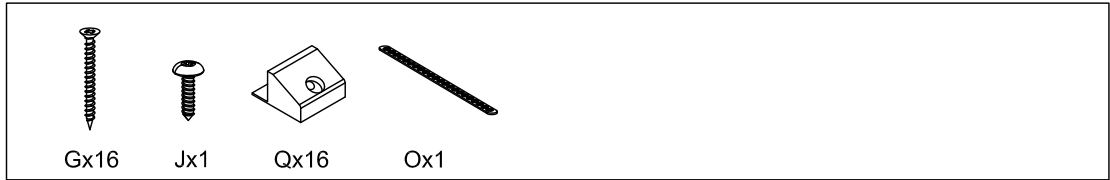
12



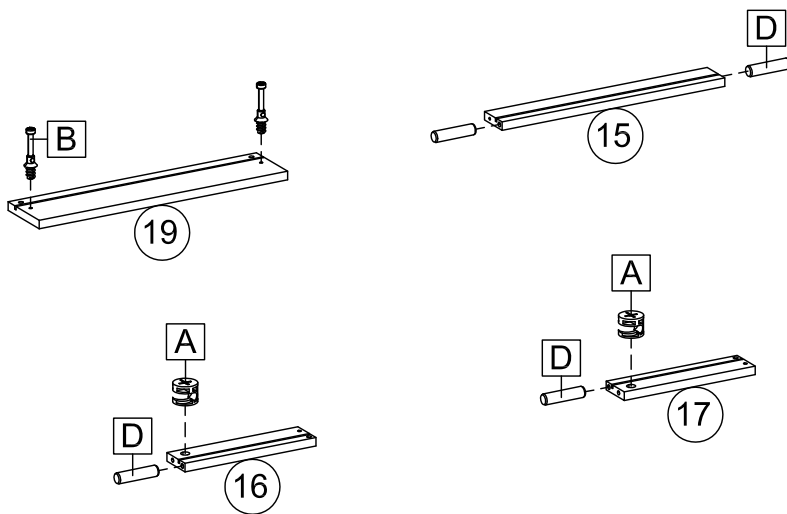
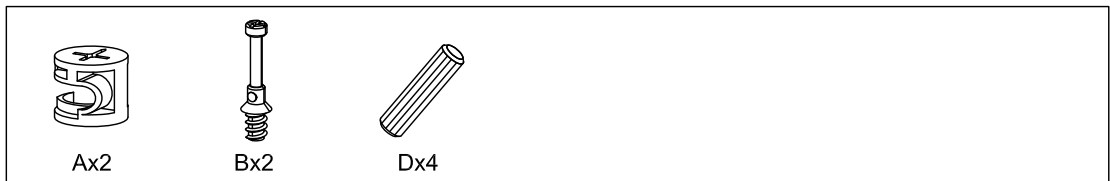
Nx4



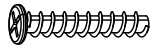
13



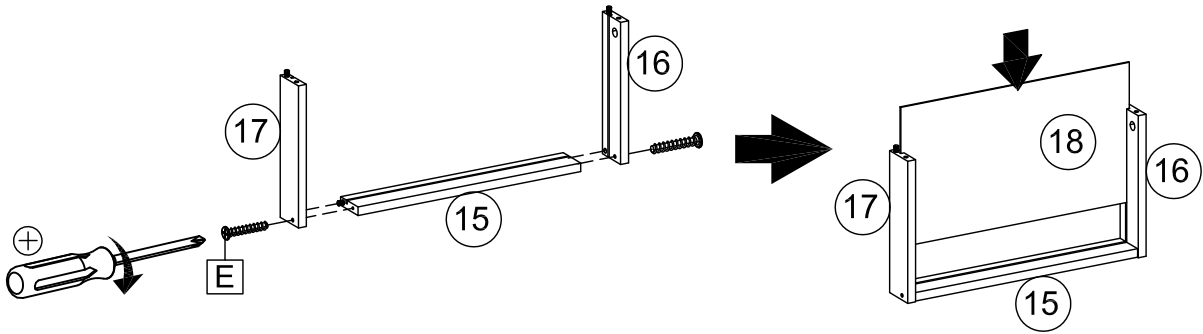
14



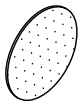
15



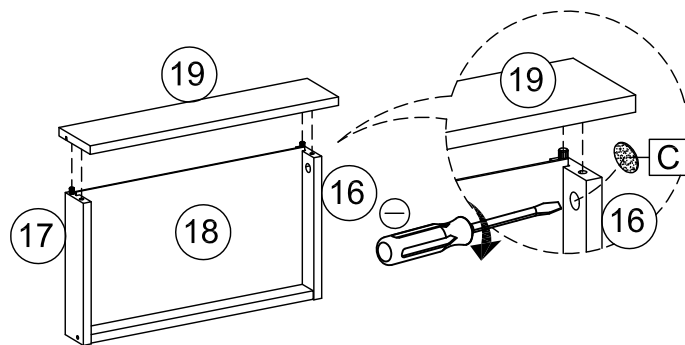
Ex2



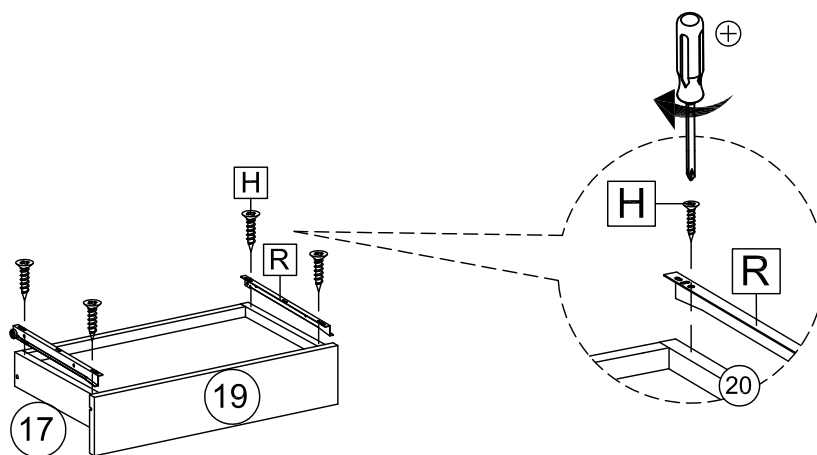
16



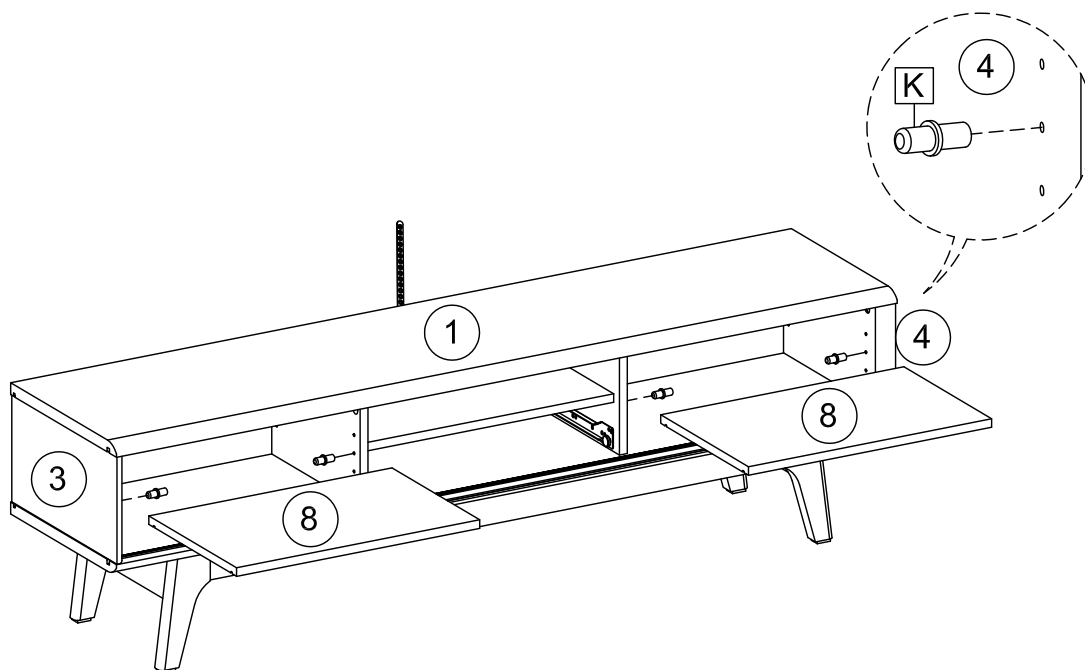
Cx2



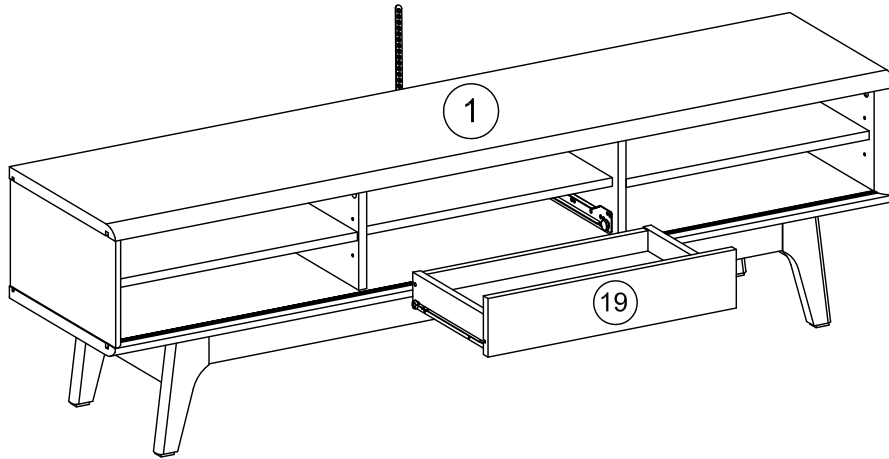
17



18



19



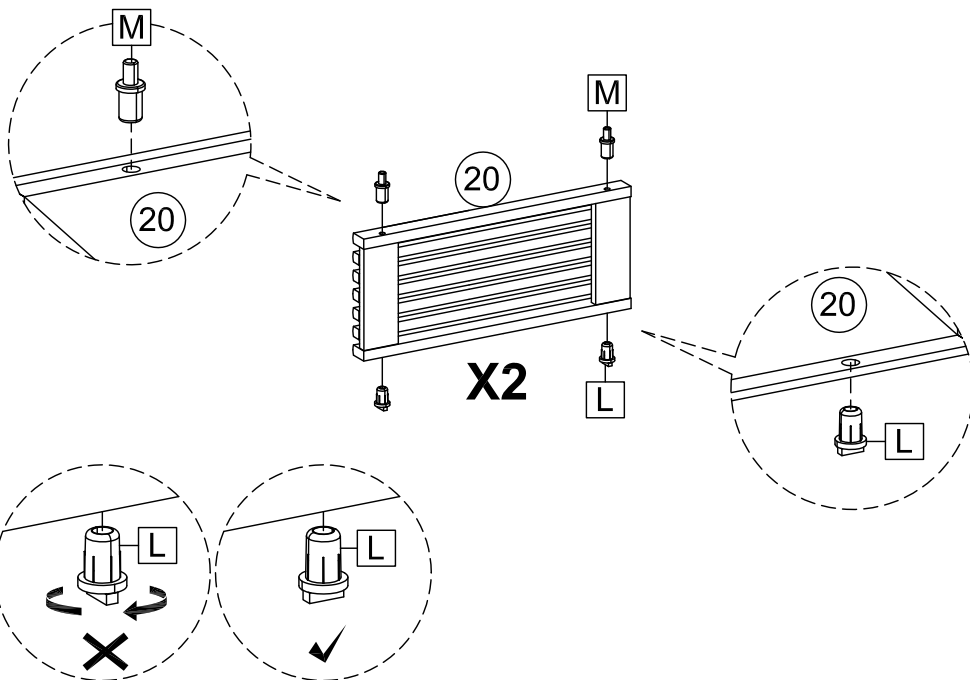
20



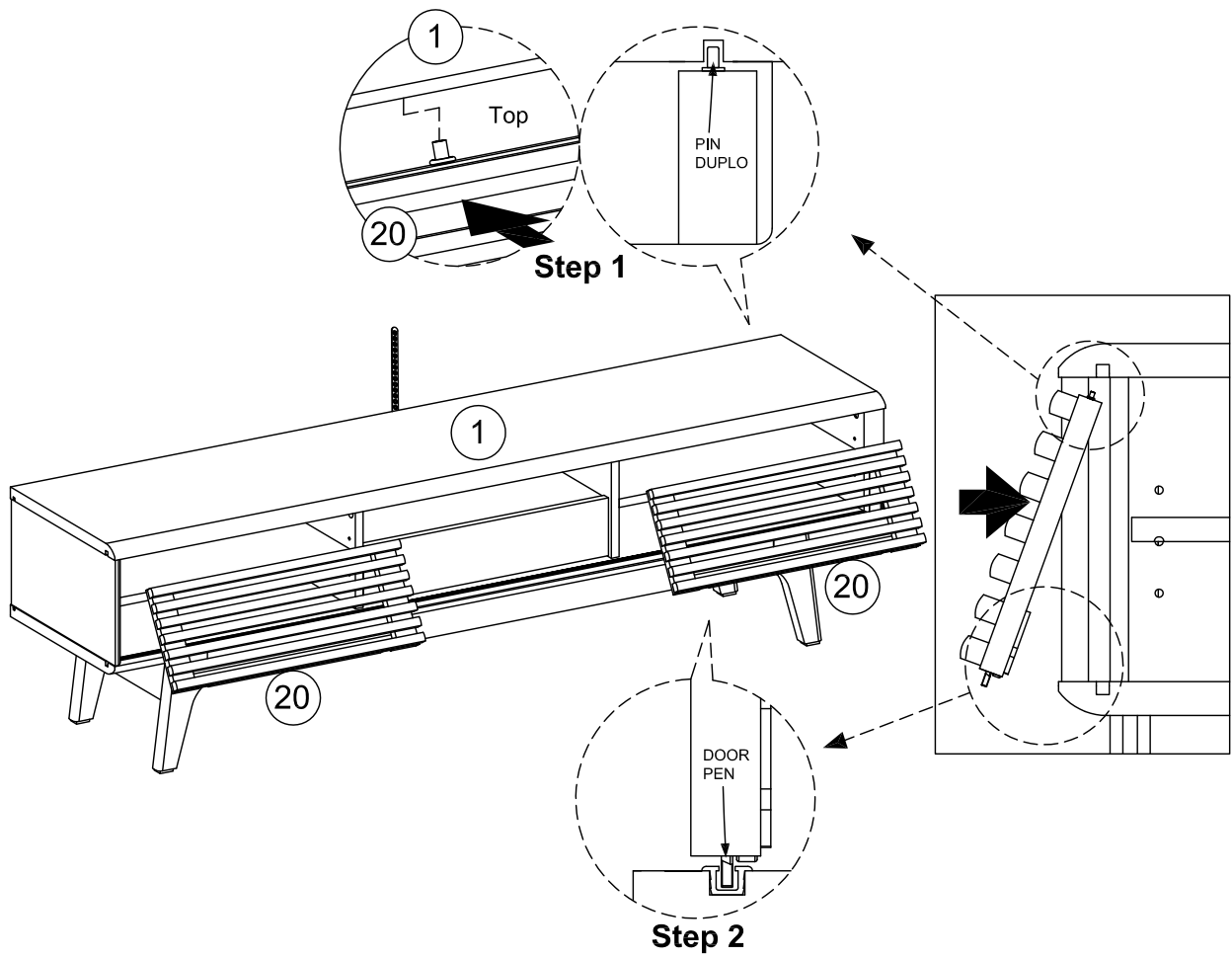
Lx4



Mx4



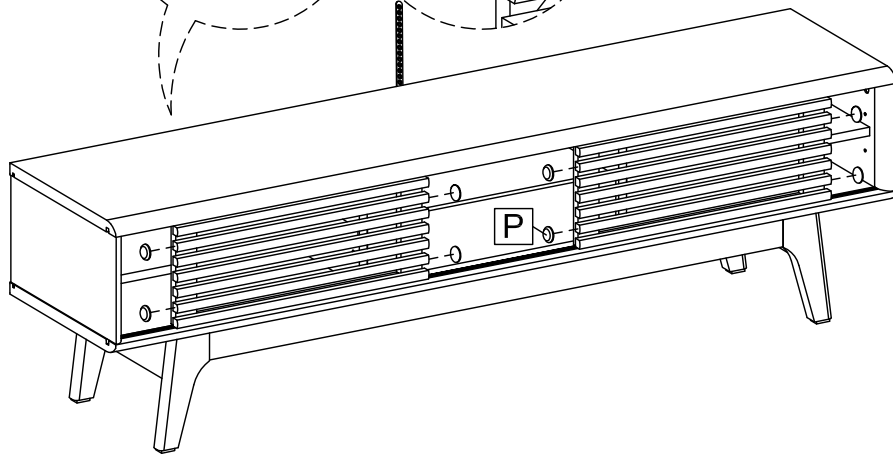
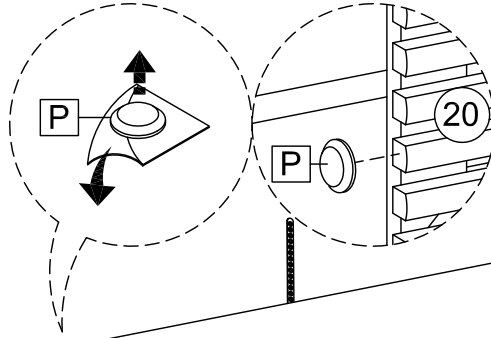
21



22



Px8



23

