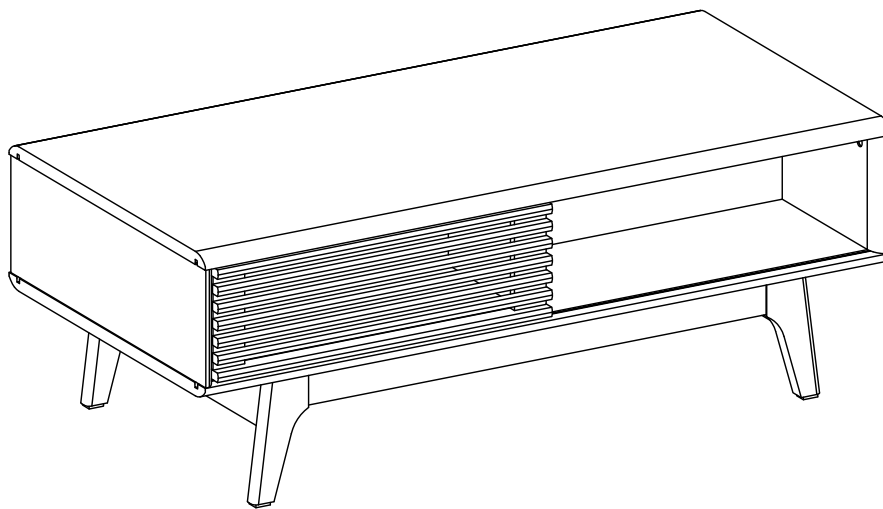


**ASSEMBLY INSTRUCTION  
COPEN II COFFEE TABLE  
520979**



Keep these instructions for future reference

# WARNING

Read instructions carefully. Check no parts are missing.

Assemble the furniture on a soft level surface to avoid damaging the furniture or your floor.

Carefully identify each component, especially those that are similar.

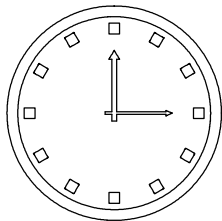
The most common mistake is getting things back to front.

Separate and identify each component from the hardware pack and rest each one in it's proper location before fastening.

We recommend furniture be assembled near where they will be placed, to avoid moving the product unnecessarily once assembled.

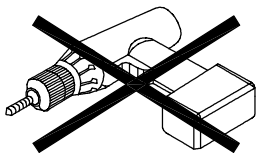
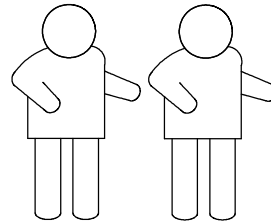
If there is a need to move the furniture, please remove all loose items and have extra hands to help lift the furniture to the desired location. Dragging the furniture will damage both the furniture and the floor.

Regularly check and re-tighten (if necessary) all bolts on furniture that you have assembled yourself.



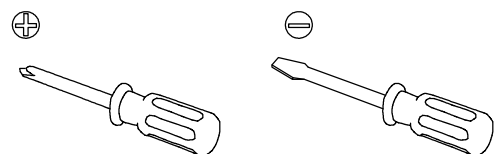
ALLOW 45 MIN

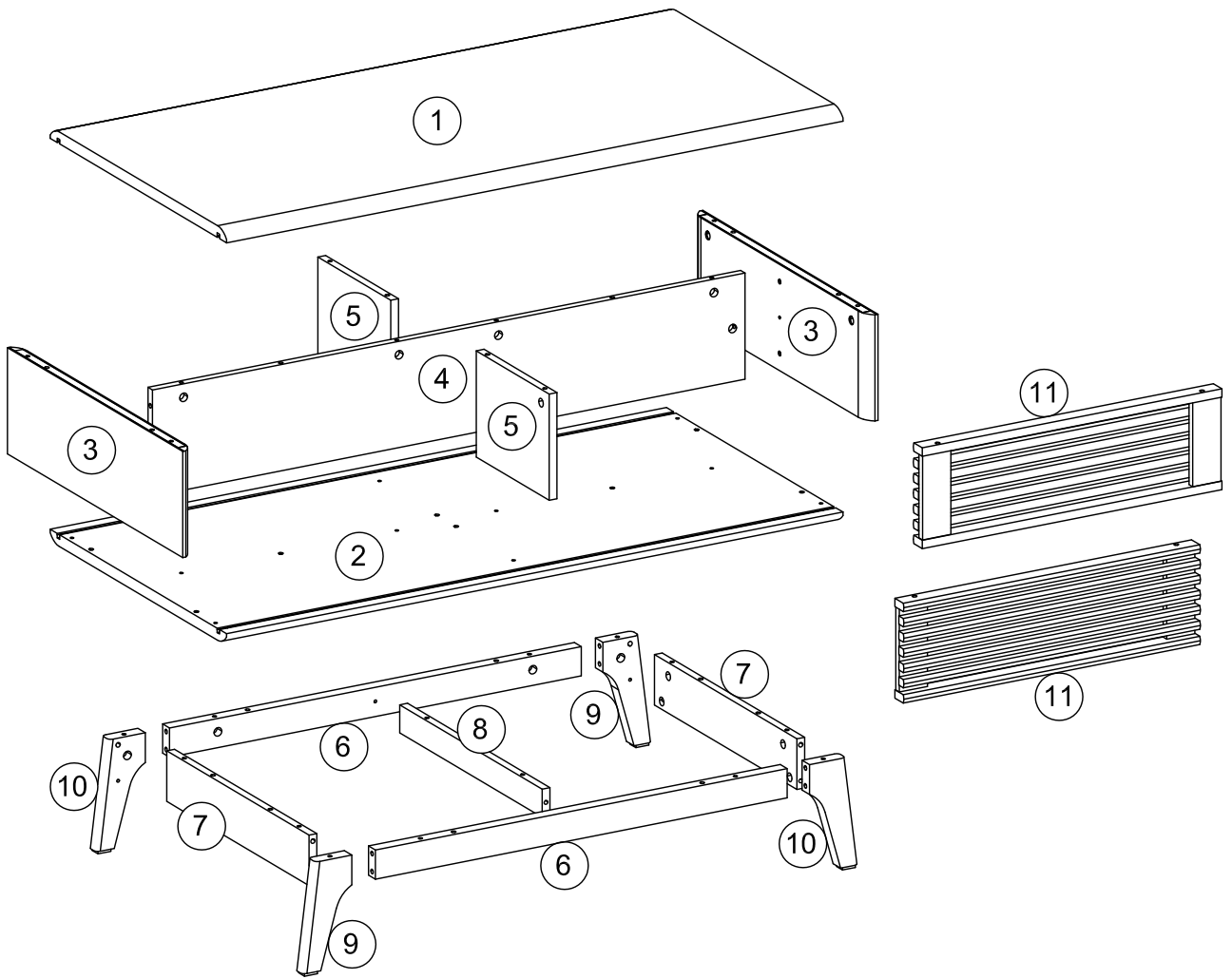
2 Persons Required



DO NOT USE ON PRODUCT





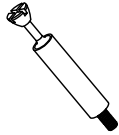
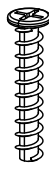
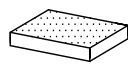
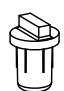
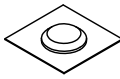

Tools Required



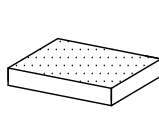
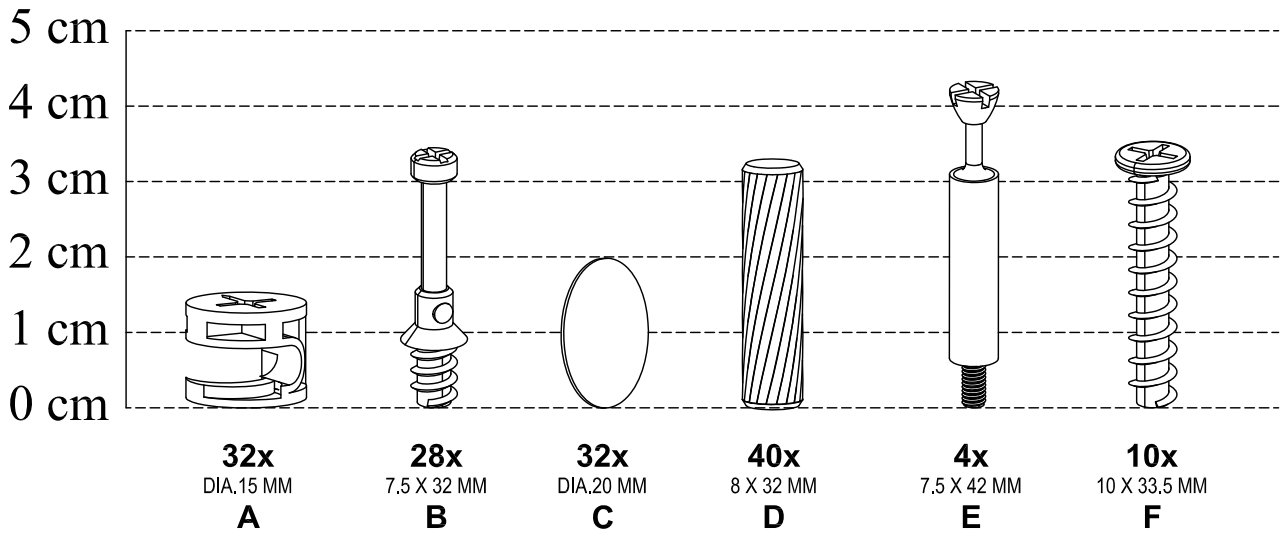


# CHECK LIST



<p>A <input type="checkbox"/></p>  <p>Ø15 mm      Ax32</p>	<p>B <input type="checkbox"/></p>  <p>Ø7,5x32 mm      Bx28</p>	<p>C <input type="checkbox"/></p>  <p>Ø20 mm      Cx32</p>	<p>D <input type="checkbox"/></p>  <p>Ø8x32 mm      Dx40</p>	<p>E <input type="checkbox"/></p>  <p>Ø7,5x42 mm      Ex4</p>
<p>F <input type="checkbox"/></p>  <p>M10x33,5 mm      Fx10</p>	<p>G <input type="checkbox"/></p>  <p>Gx4</p>	<p>H <input type="checkbox"/></p>  <p>Hx4</p>	<p>I <input type="checkbox"/></p>  <p>Ix4</p>	<p>J <input type="checkbox"/></p>  <p>Jx4</p>

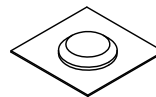
# HARDWARE LIST



**4x**  
**G**



**4x**  
**H**

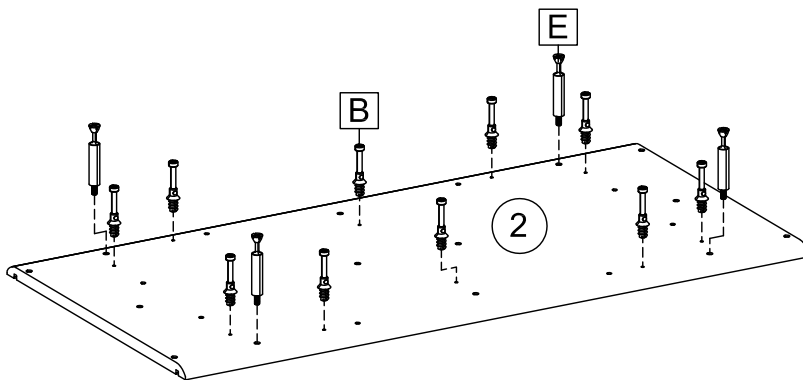
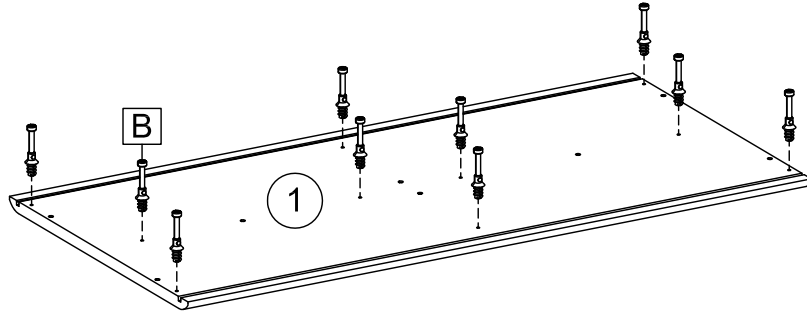
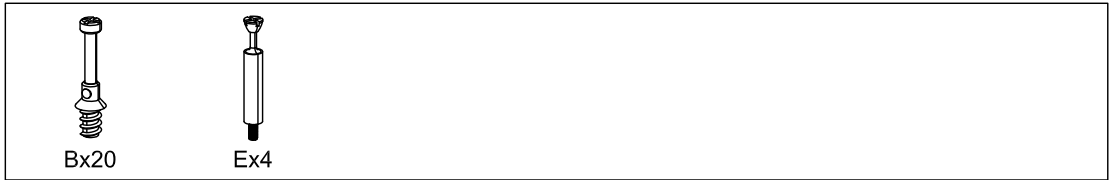


**4x**  
**I**

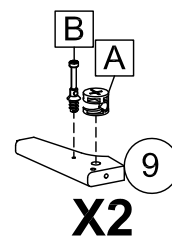
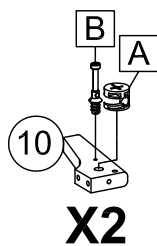
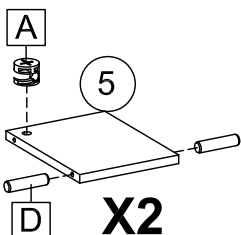
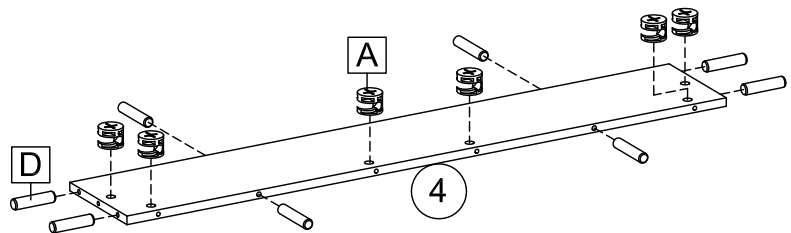
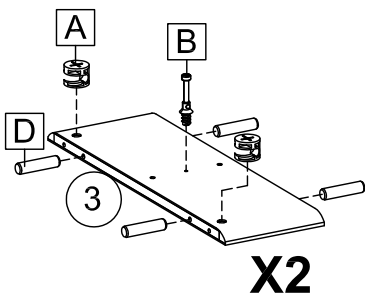
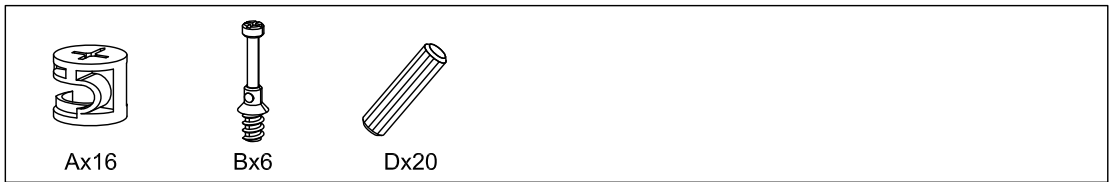


**4x**  
**J**

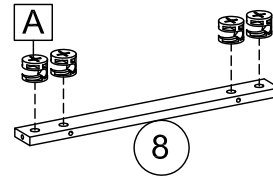
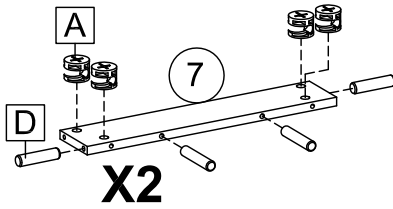
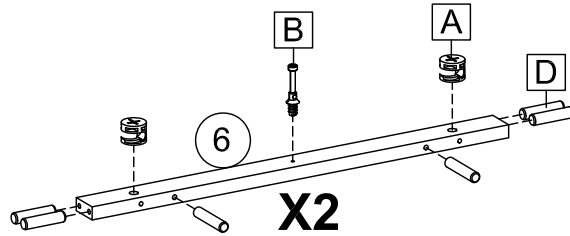
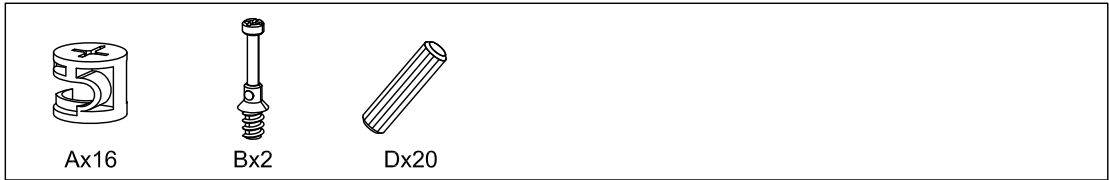
# 1



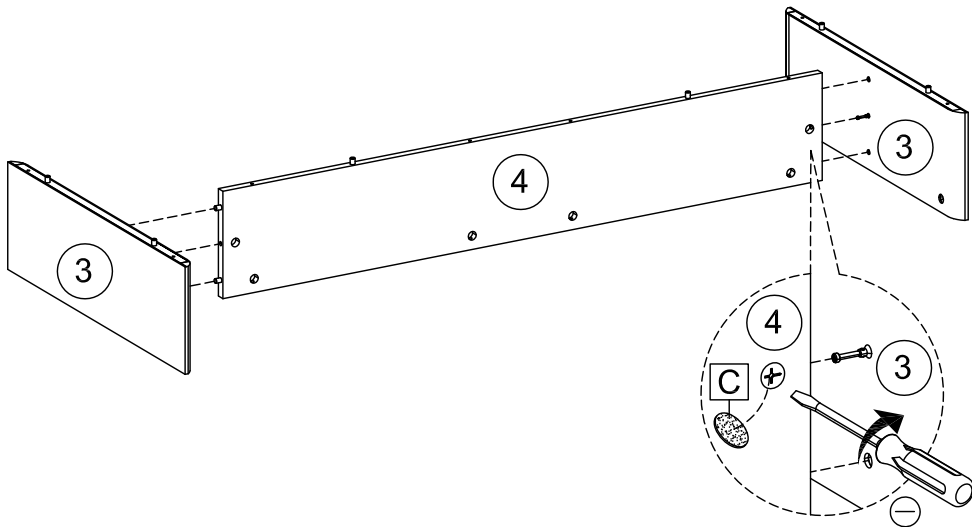
# 2



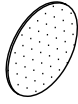
# 3



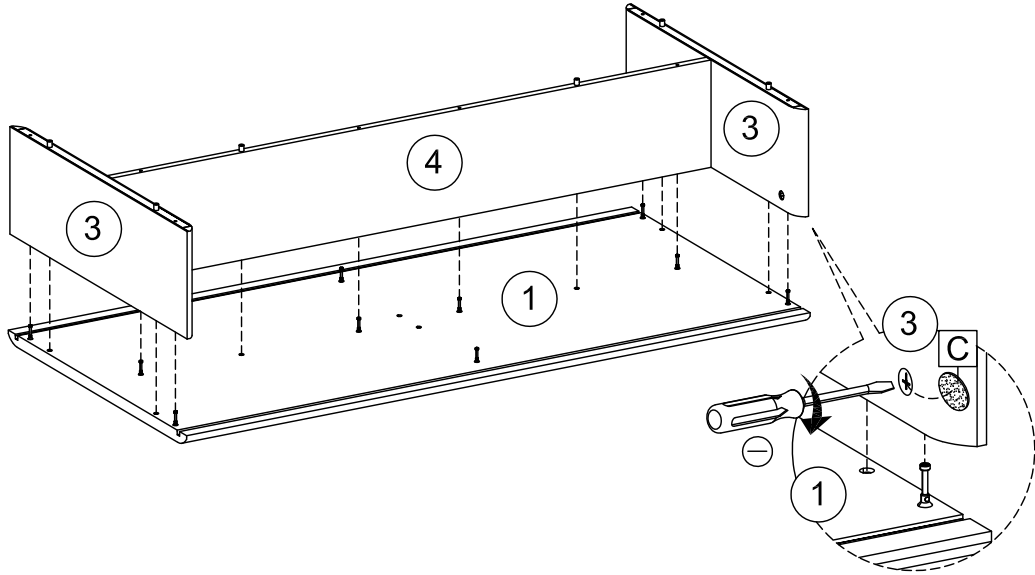
# 4



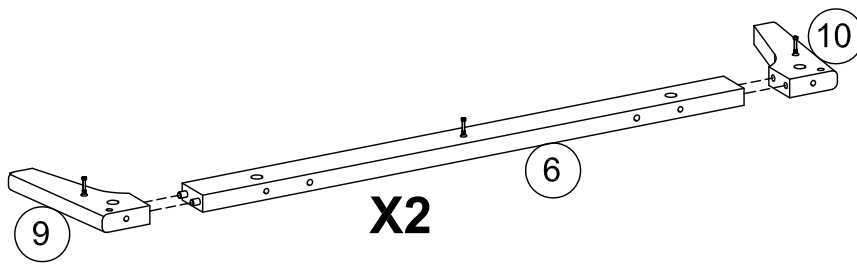
# 5



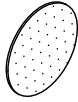
Cx8



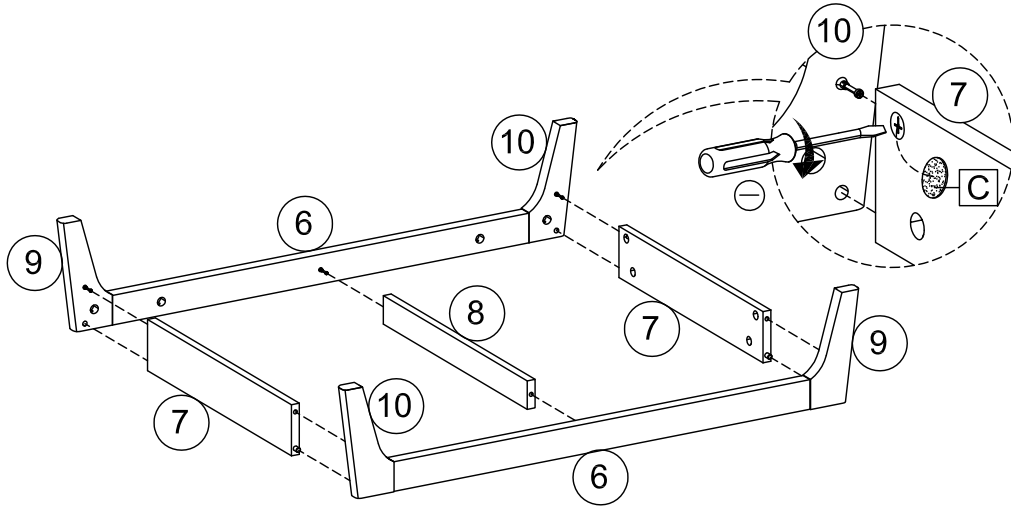
# 6



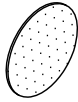
# 7



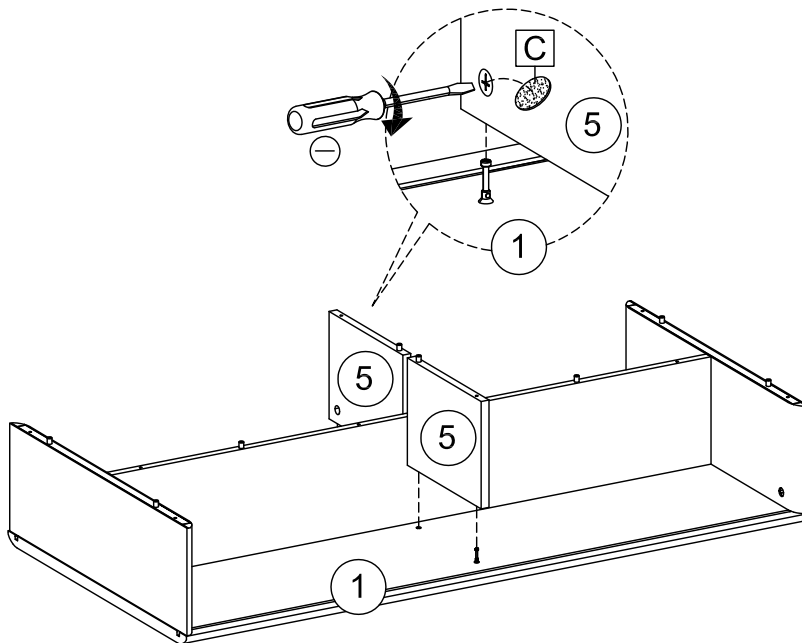
Cx6



# 8



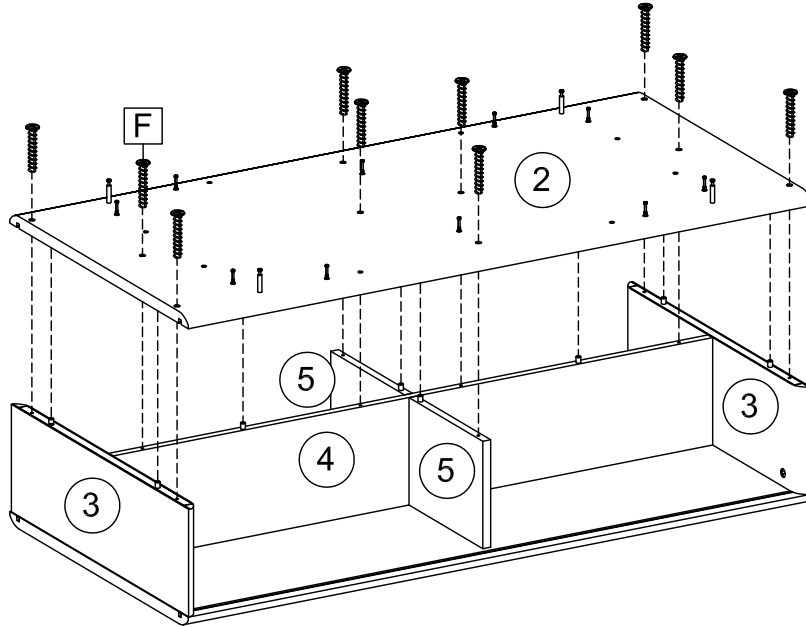
Cx2



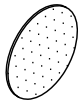
# 9



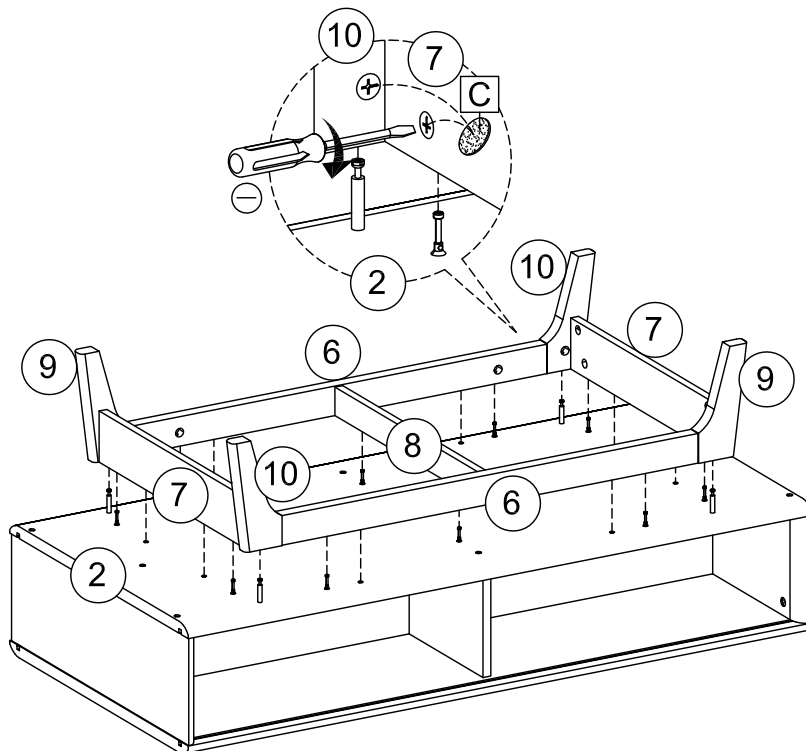
Fx10



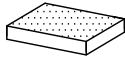
# 10



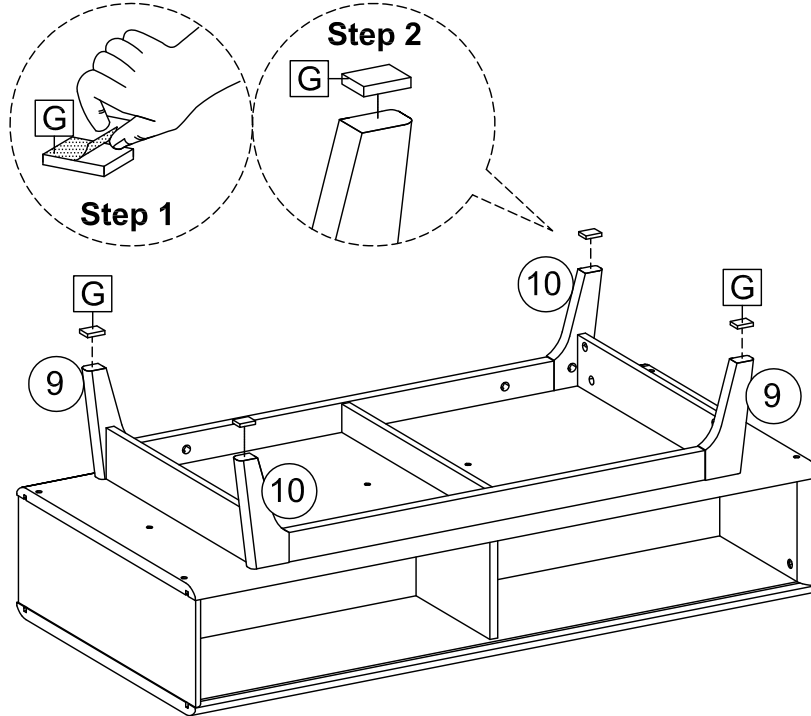
Cx14



# 11



Gx4



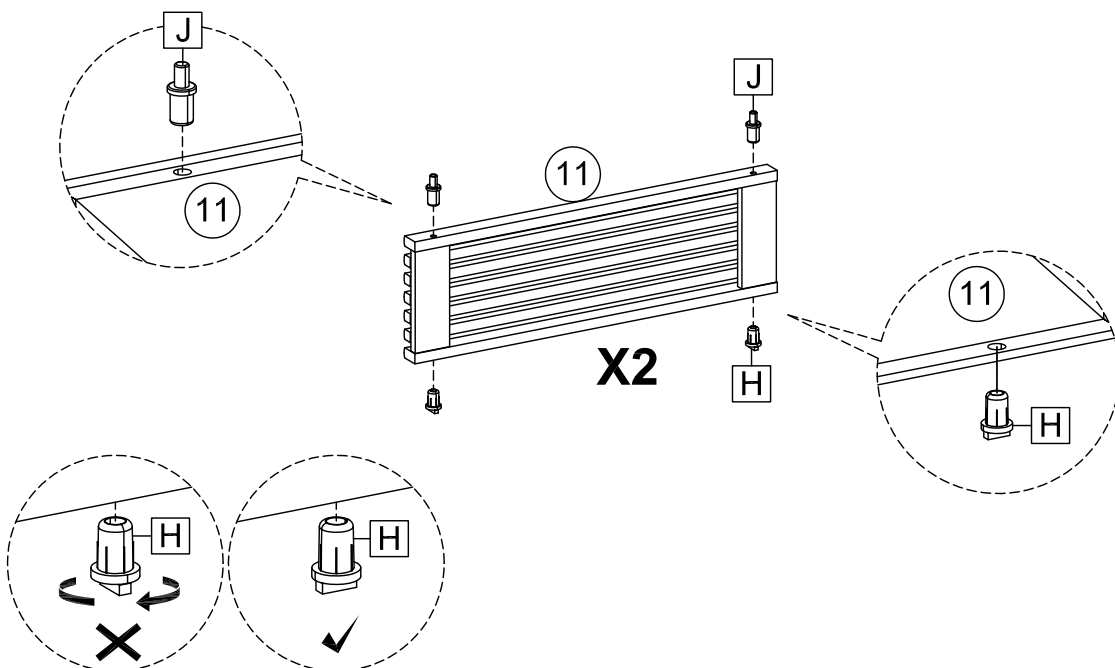
# 12



Hx4



Jx4



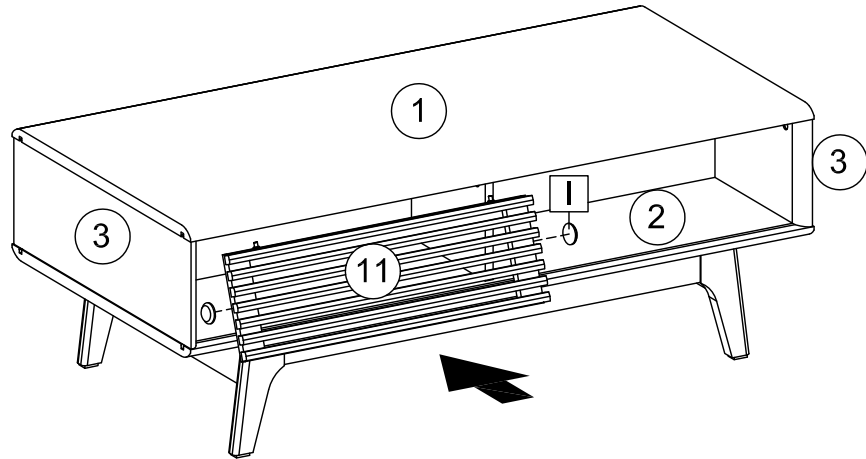
10 - 11

REV 0 - 2022-06-06

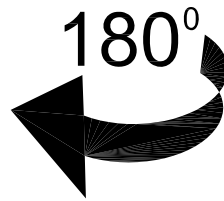
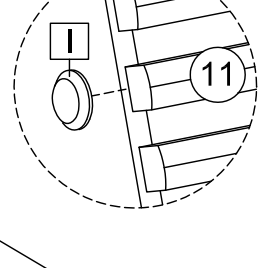
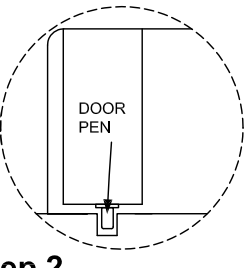
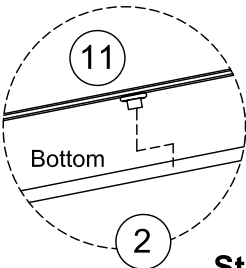
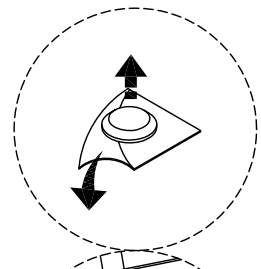
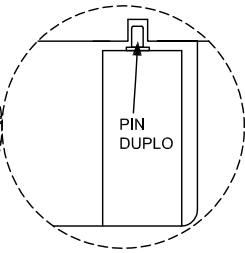
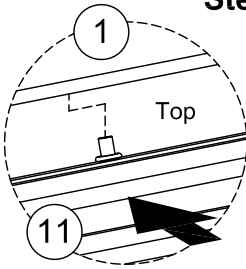
# 13



lx4



**Step 1**



**Step 2**

