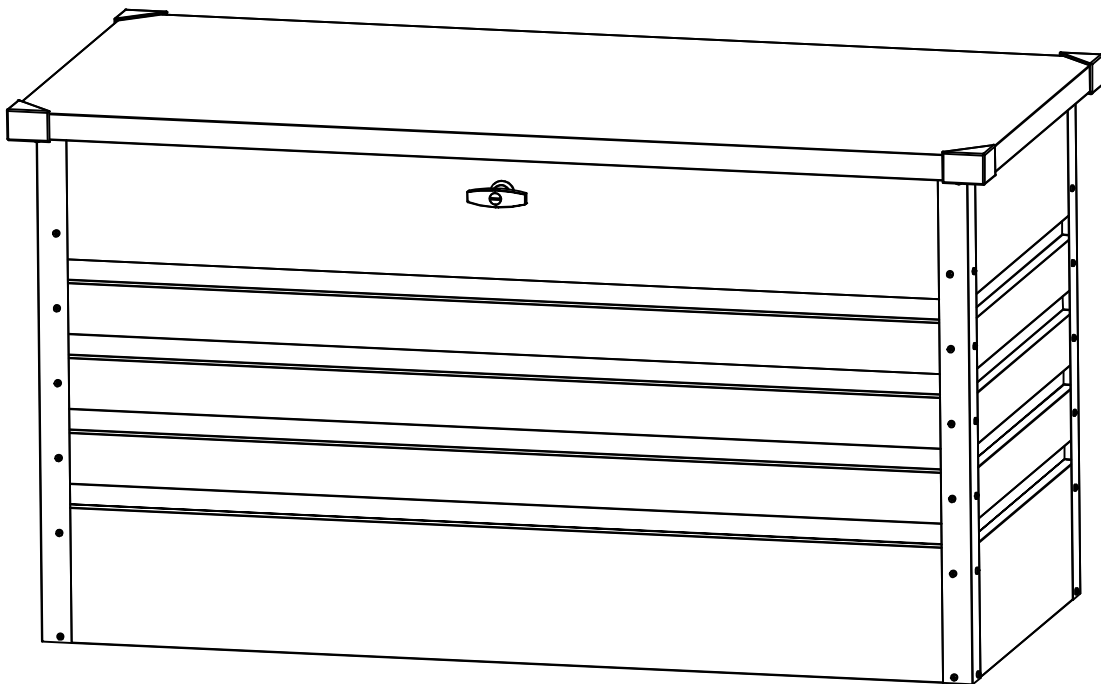


Metal Storage Box

Instructions for Assembly



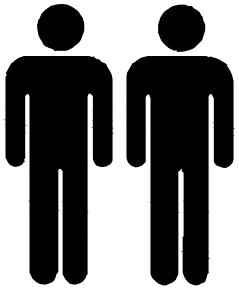
L185XW82XH75cm

Requires two people and takes 1.5 hour for Installation.

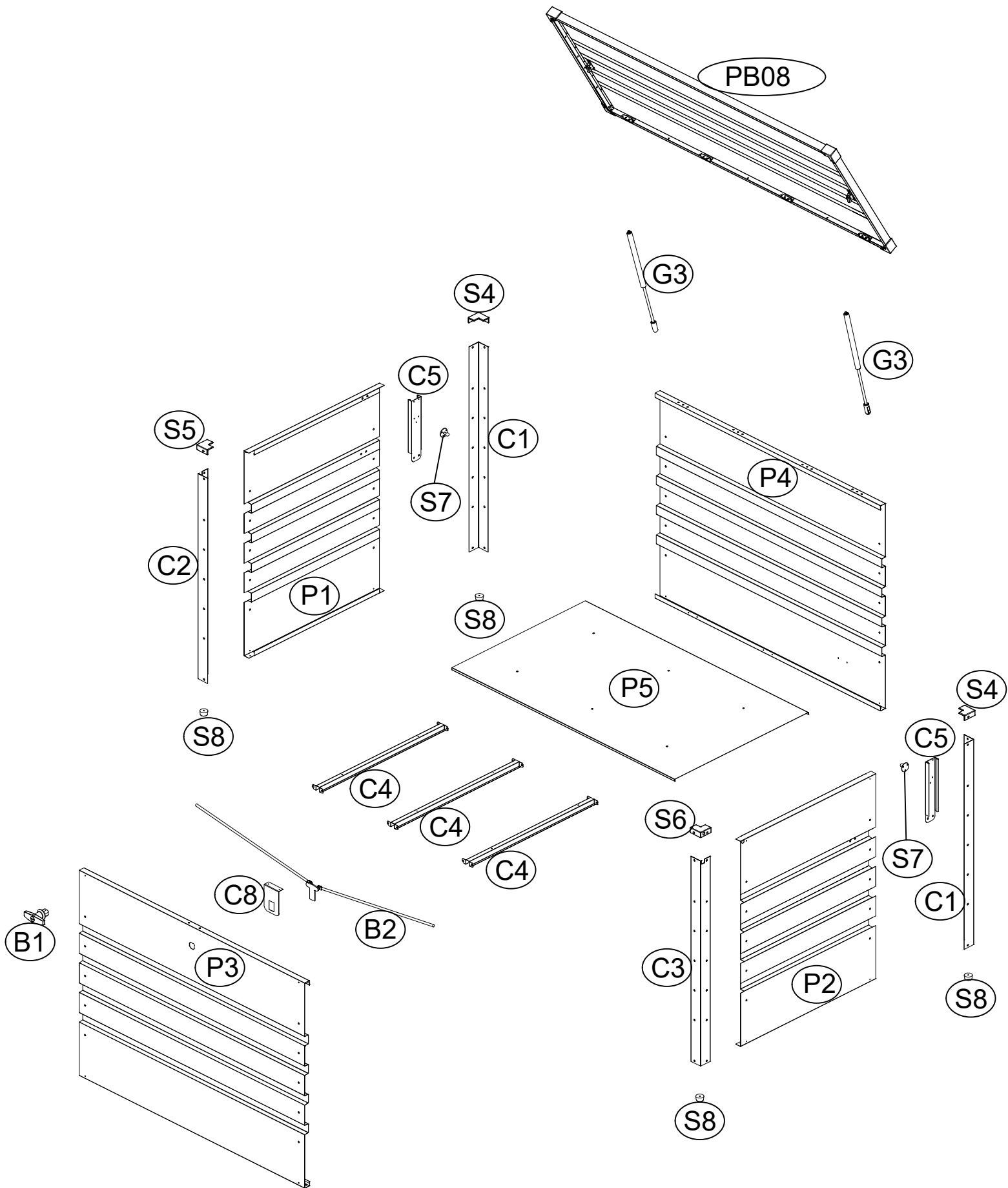
Quick & Easy Assembly

Ridge Reinforced Walls

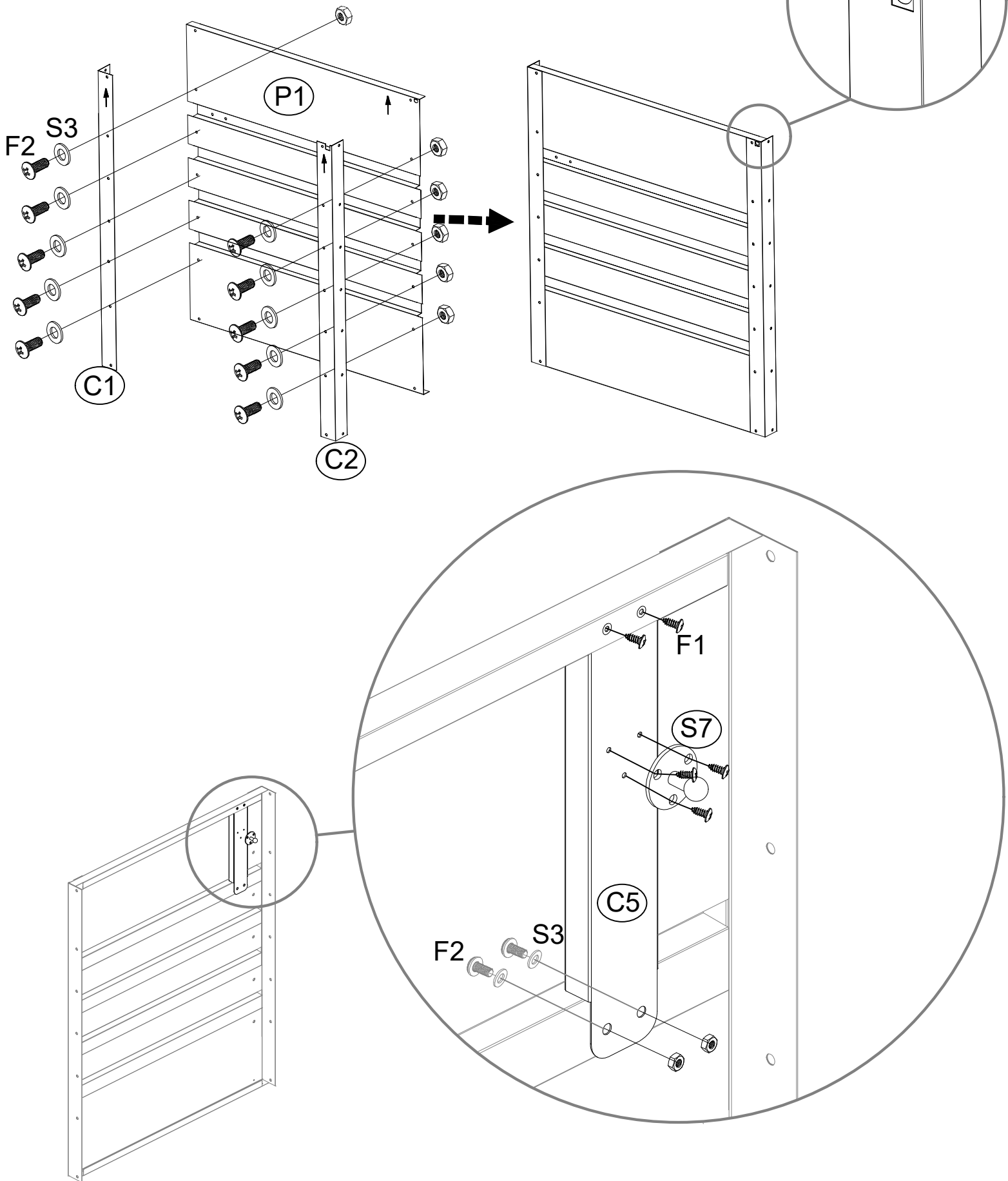
Available in Various Sizes

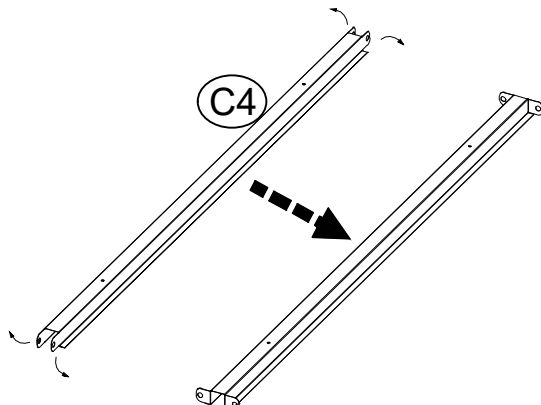


<p>C1</p> <p>2 751mm</p>	<p>C2</p> <p>1 751mm</p>	<p>C3</p> <p>1 751mm</p>	
<p>C4</p> <p>3 742.3mm</p>	<p>C5</p> <p>2 238mm</p>	<p>C8</p> <p>1</p>	<p>B1</p> <p>1</p>
<p>B2</p> <p>1</p>	<p>G3</p> <p>2 410X140-200N</p>	<p>S7</p> <p>2</p>	
<p>PB08</p> <p>1 1810mm</p>	<p>P1</p> <p>1 756mm</p>	<p>P2</p> <p>1 756mm</p>	<p>P3</p> <p>1 1783mm</p>
<p>P4</p> <p>1 1783mm</p>	<p>P5</p> <p>1 1783mm</p>		
<p>S4</p> <p>2</p>	<p>S5</p> <p>1</p>	<p>S6</p> <p>1</p>	<p>S8</p> <p>4</p>
<p>F2</p> <p>65</p>	<p>S3</p> <p>84</p>	<p>F8</p> <p>6</p>	<p>F1</p> <p>50</p>

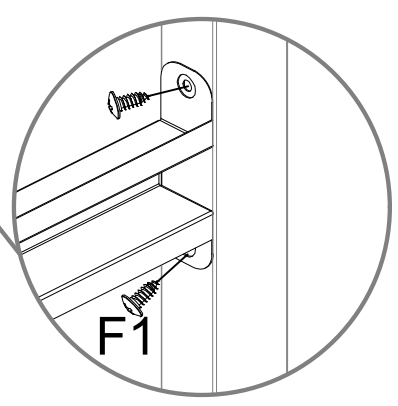
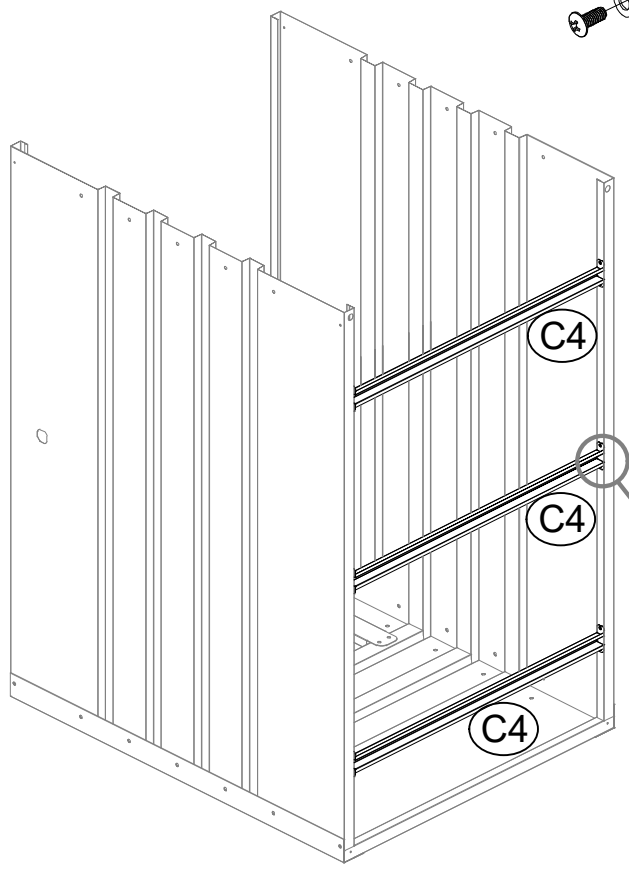
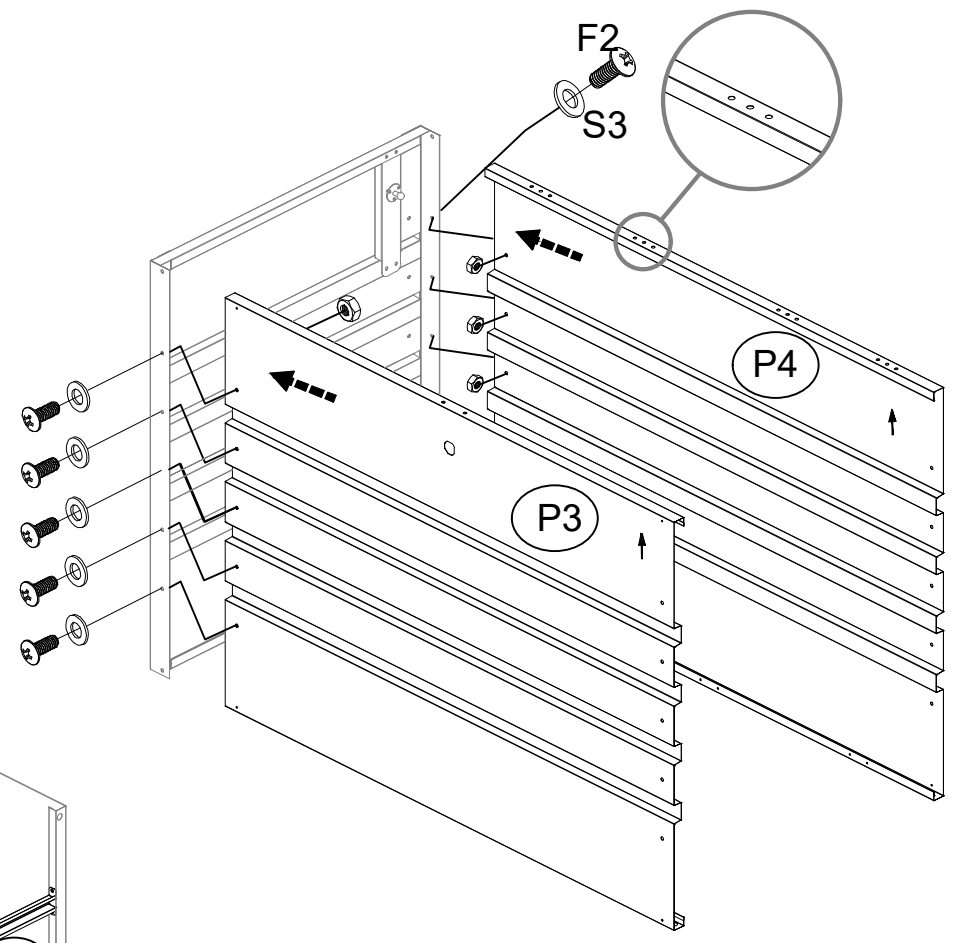


Before starting assembly, remove the protective film from each part!

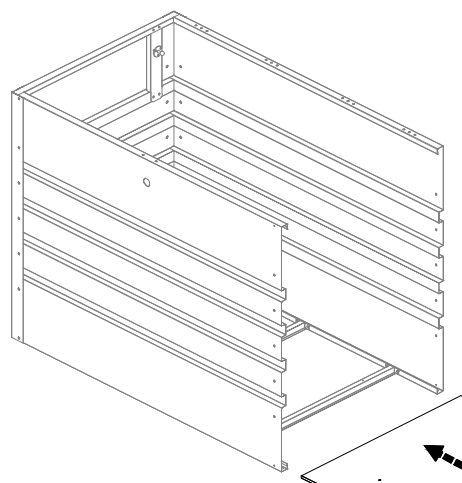




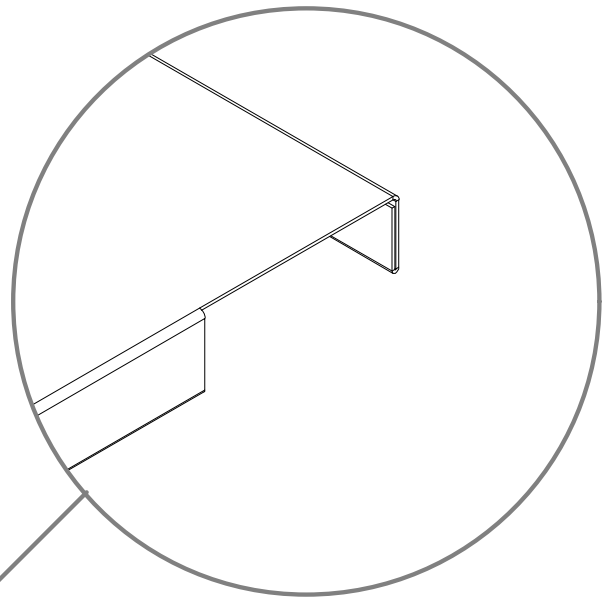
x3

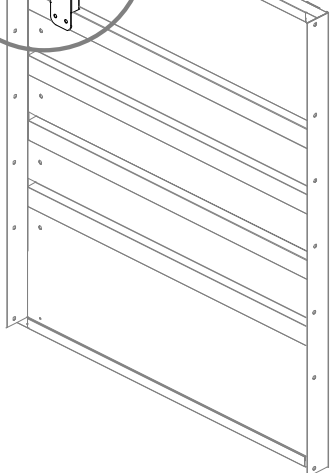
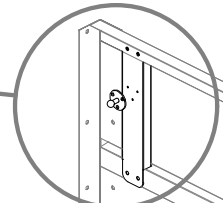
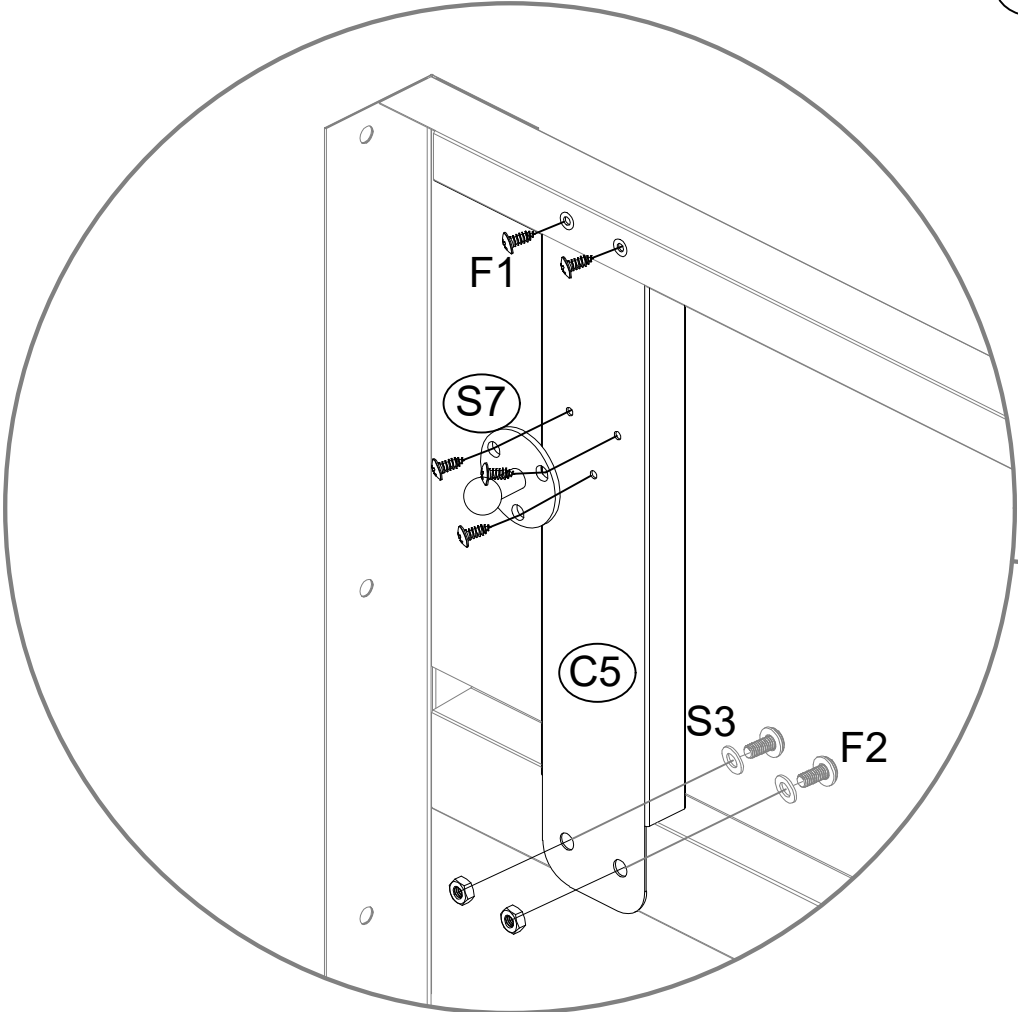
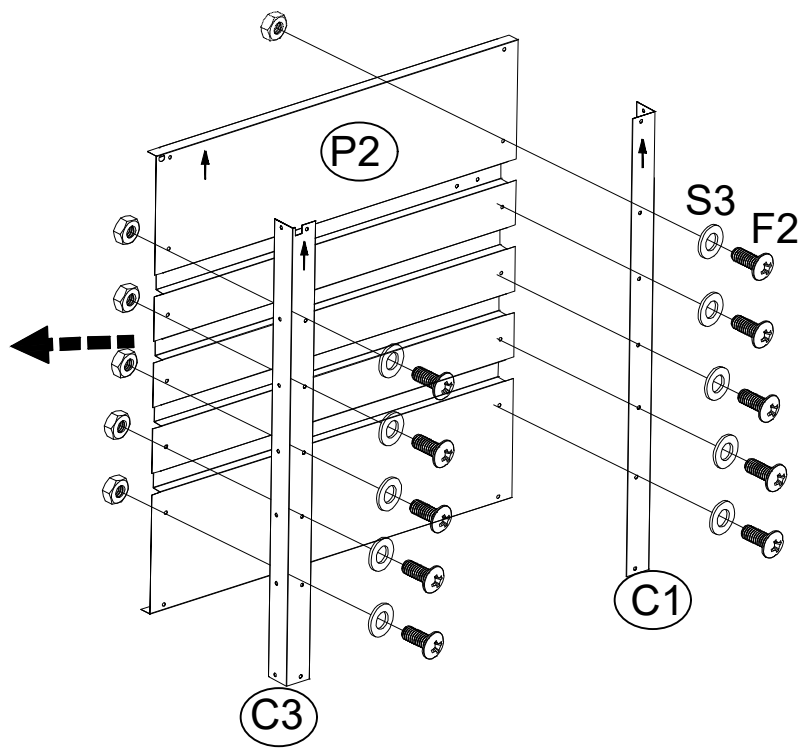
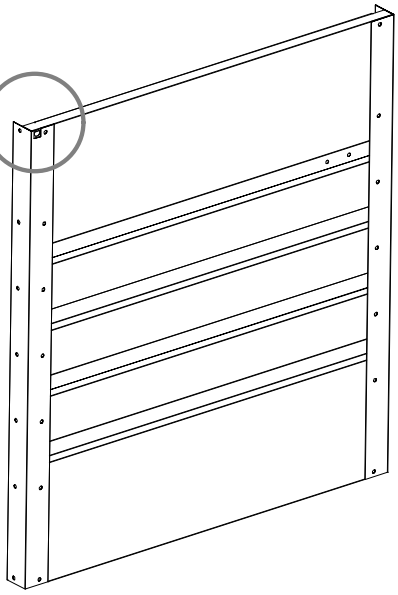
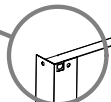
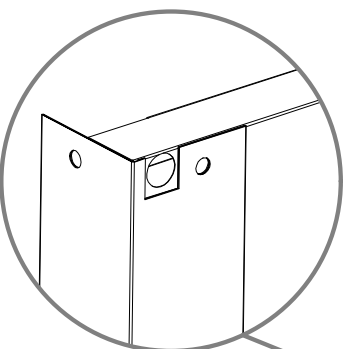


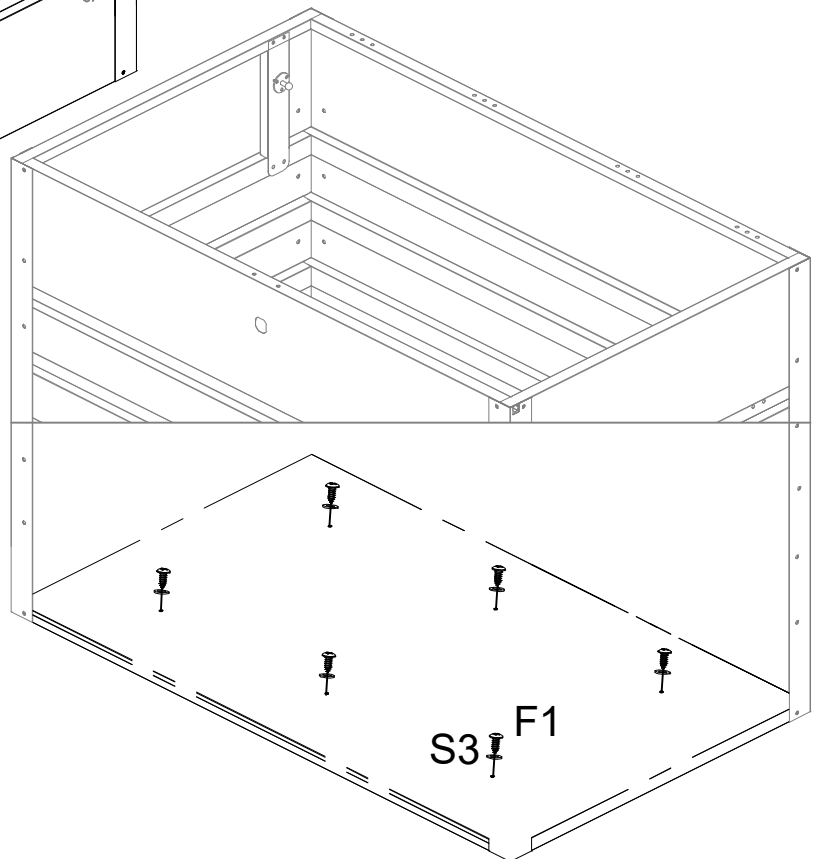
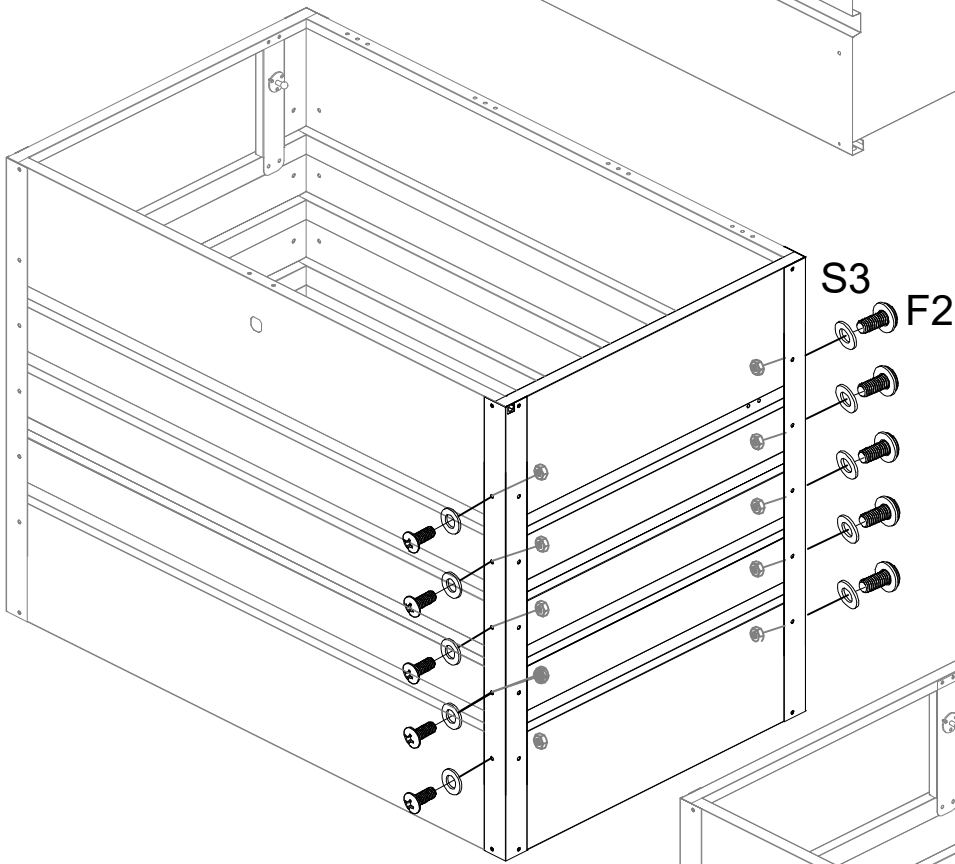
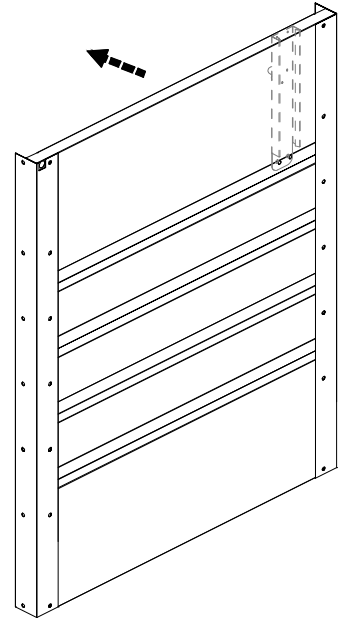
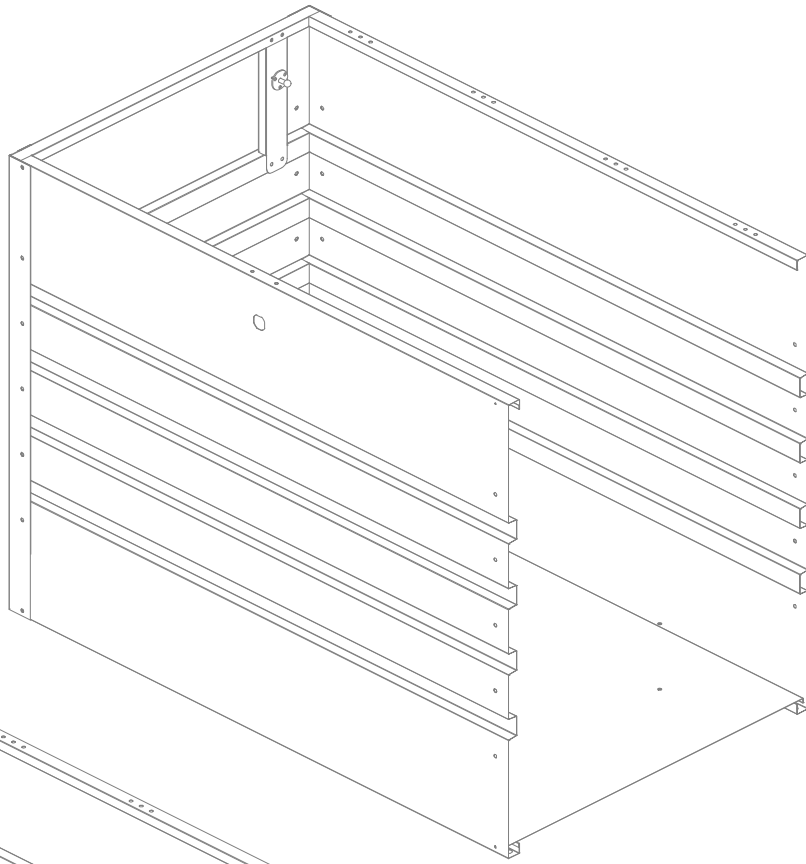
x6

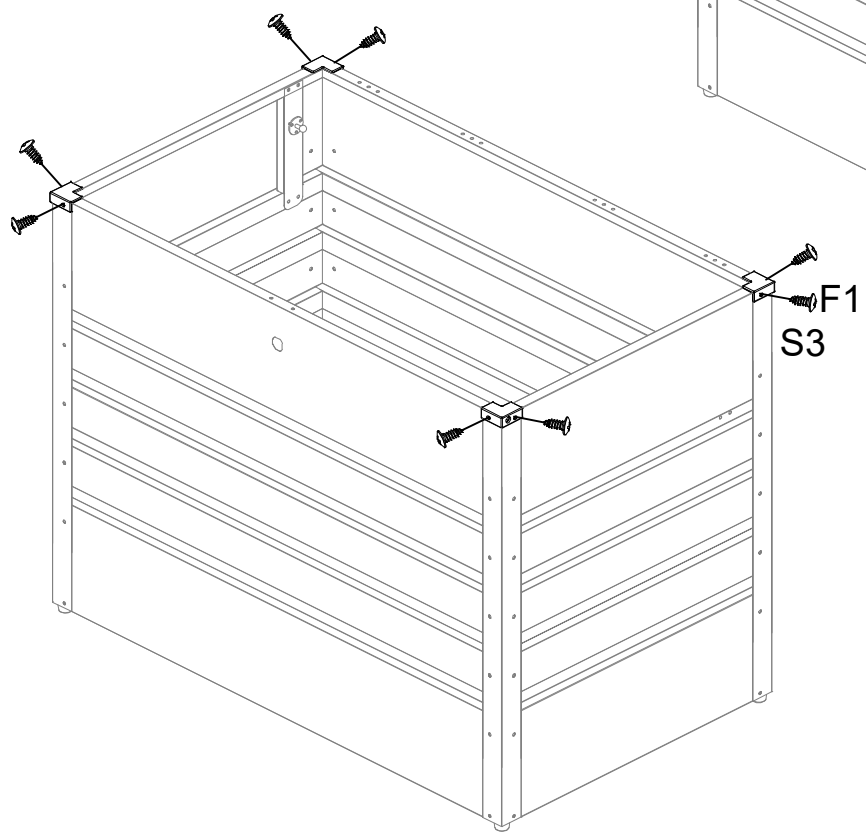
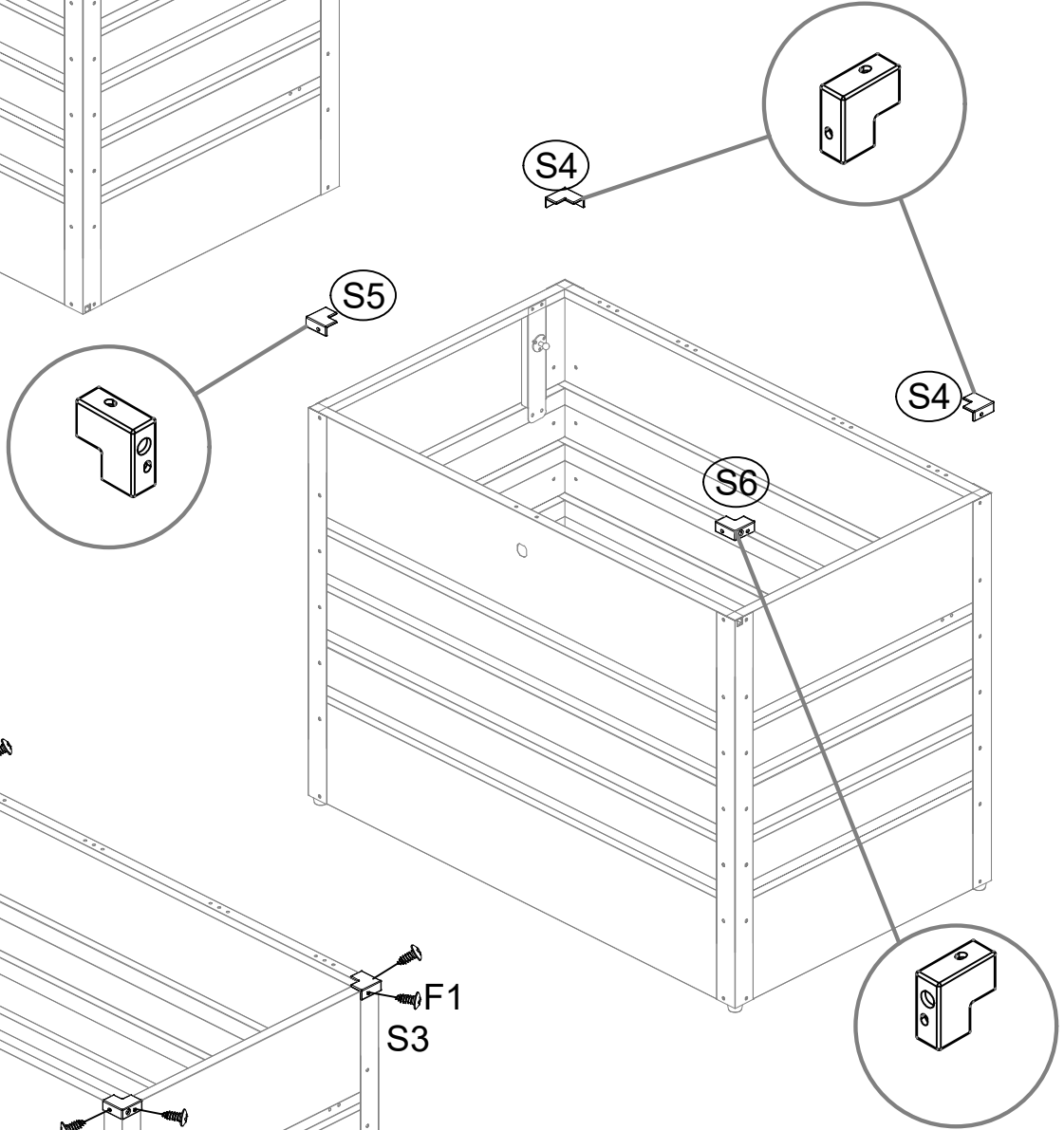
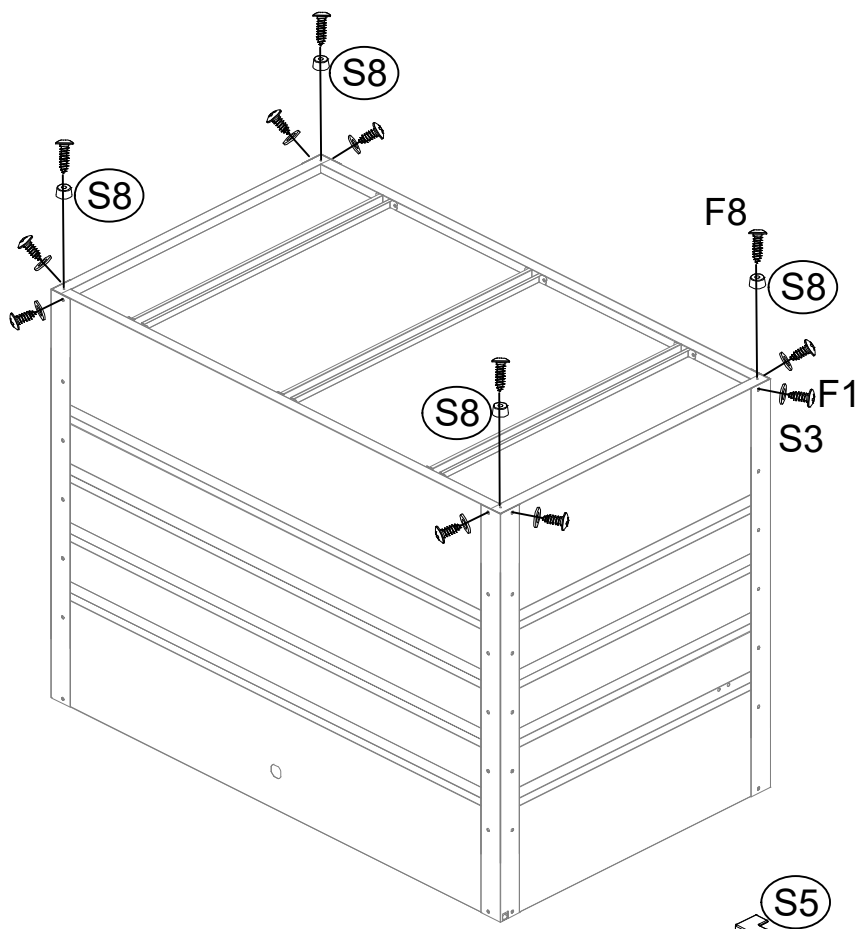


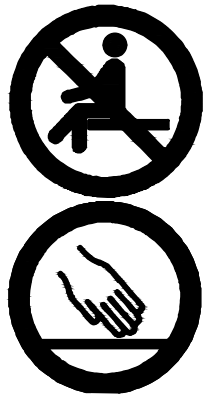
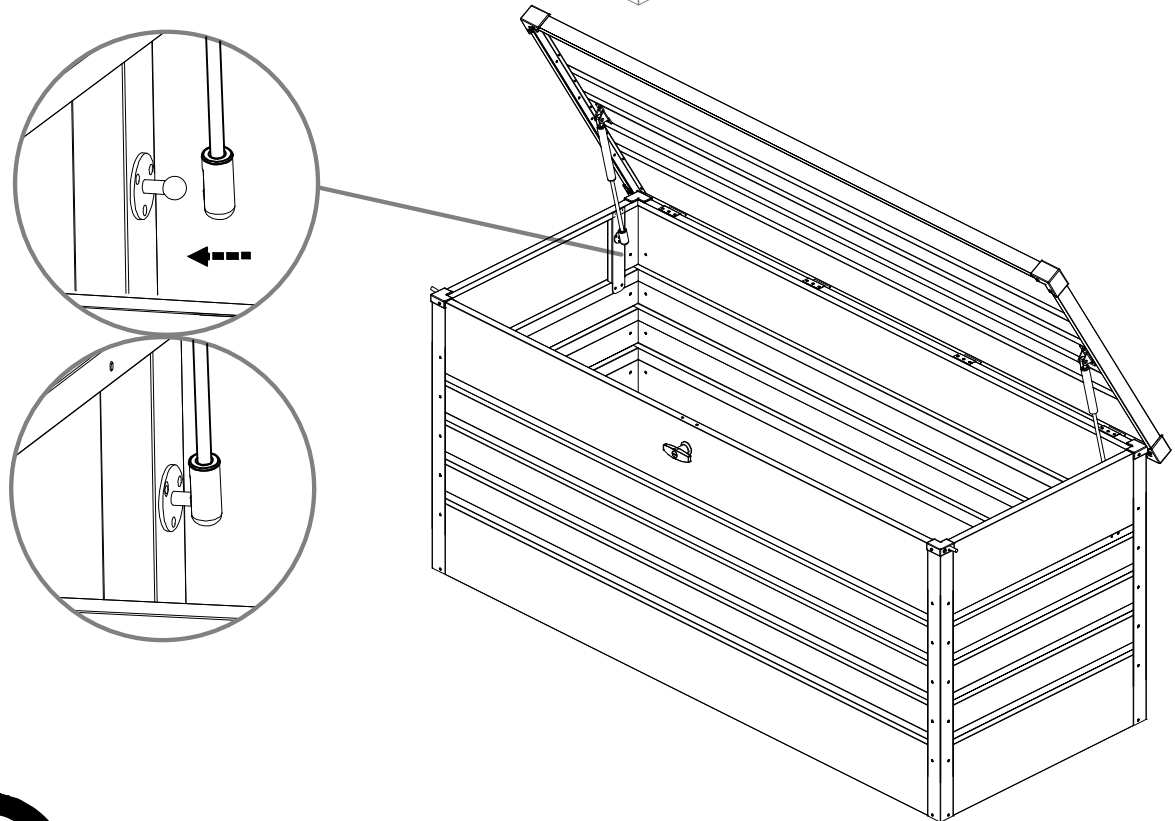
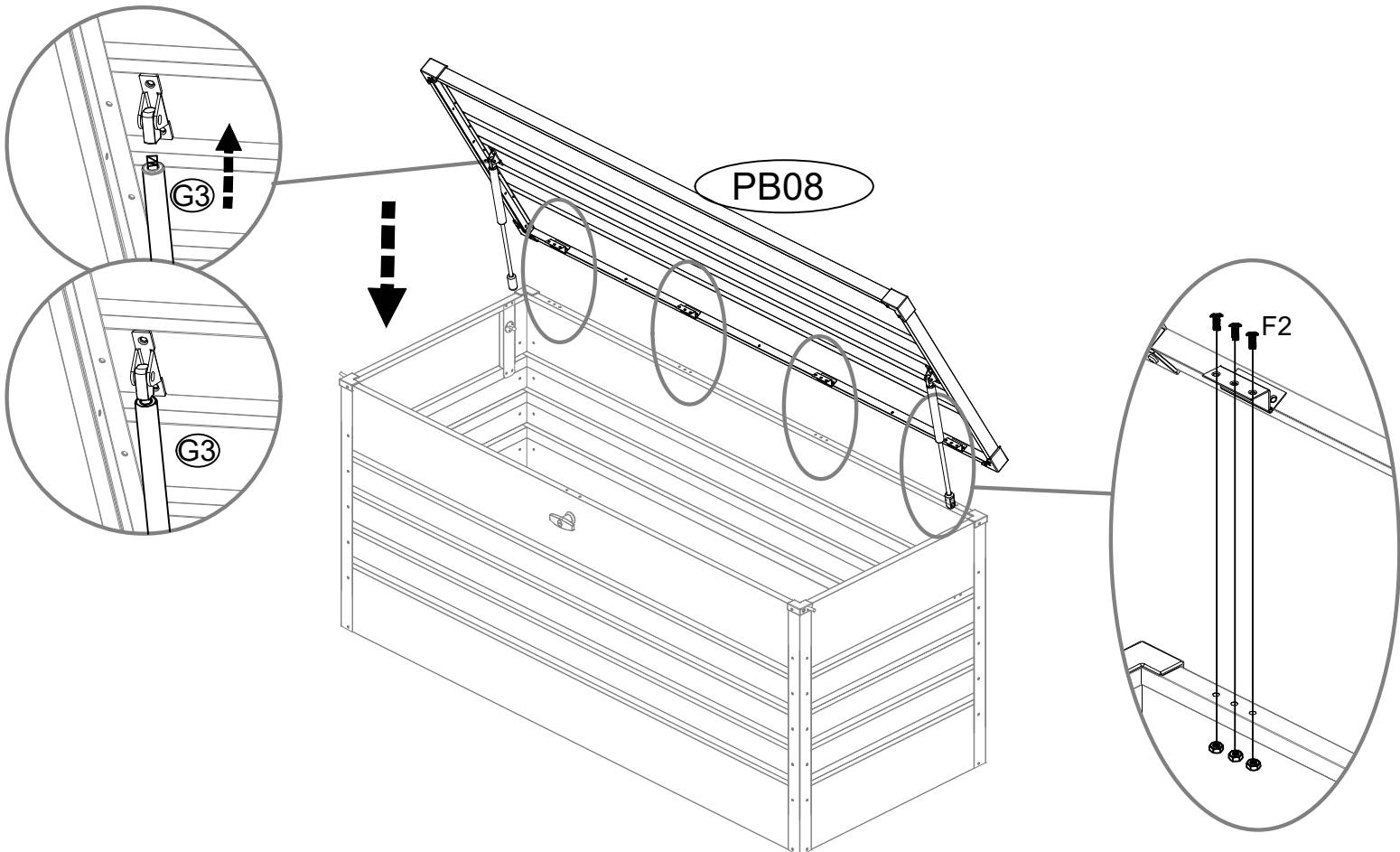
P5











Maximum load of lid: 50 kg

When closing the box, gently press the lid.