

INSTRUCTION MANUAL

LED Hollywood Style
Vanity Mirror

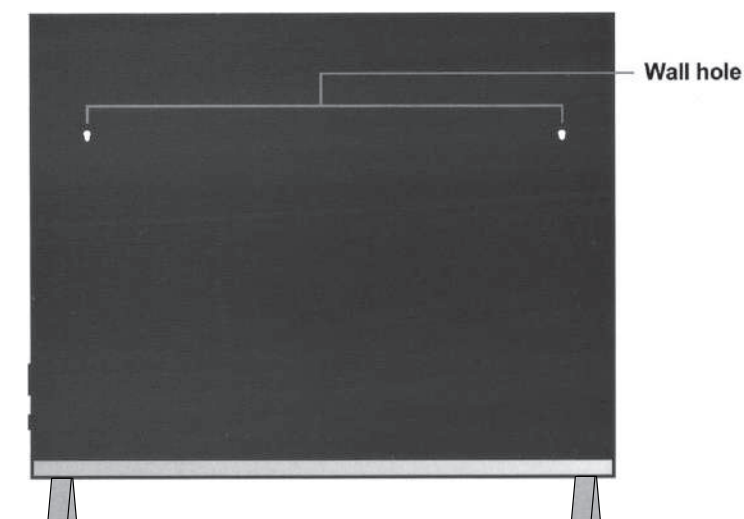
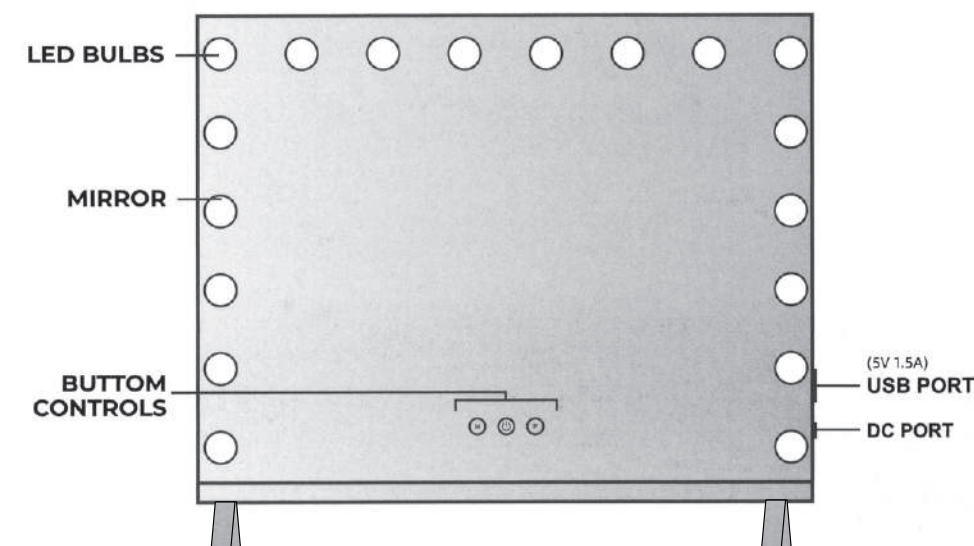
01

Before You Start

- ⚠ Please read all instructions carefully.
- ⚠ Retain instructions for future reference.
- ⚠ Separate and count all parts and hardware.
- ⚠ Read through each step carefully and follow the proper order.
- ⚠ We recommend that, where possible, all items are assembled near to the area in which they will be placed in use, to avoid moving the product unnecessarily once assembled.
- ⚠ Always place the product on a flat, steady and stable surface.
- ⚠ Keep all small parts and packaging materials for this product away from babies and children as they potentially pose a serious choking hazard.



02



03

BUTTON CONTROLS



- Ⓜ Short press to change the light color: warm/ natural/ cool
- Ⓢ Short press to turn on/ off the light
- Ⓟ Long press to adjust the brightness

CONTAINED ITEMS

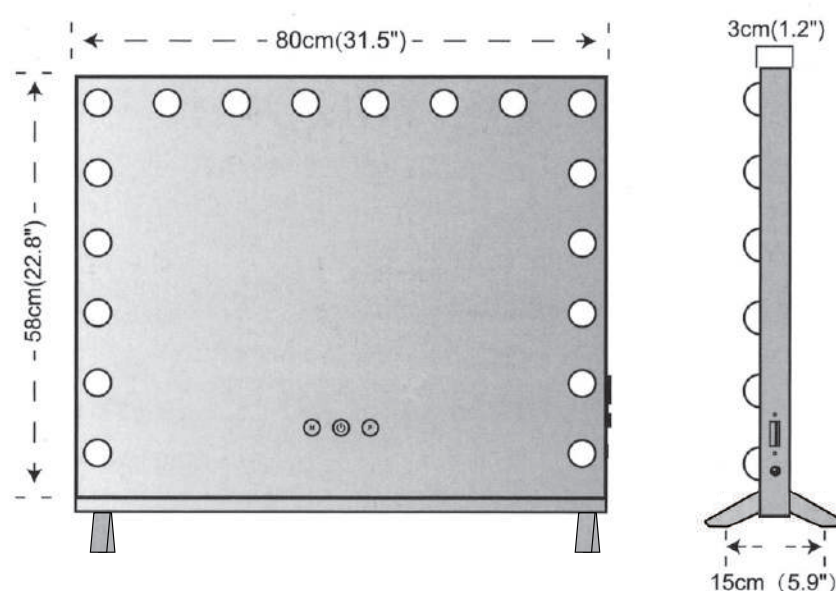


12V Power Adapter
Input 100-240V Output 12V 2A

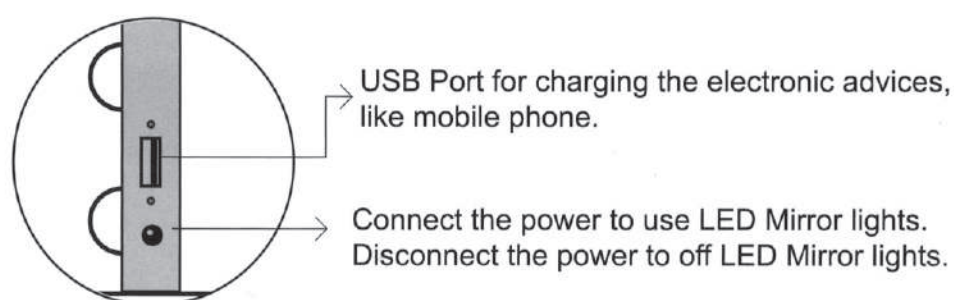
Please use included power adapter, Do not use an unsuitable power adapter, otherwise it could damage the mirror electronics.

04

PRODUCT SIZE



CONTAINED ITEMS



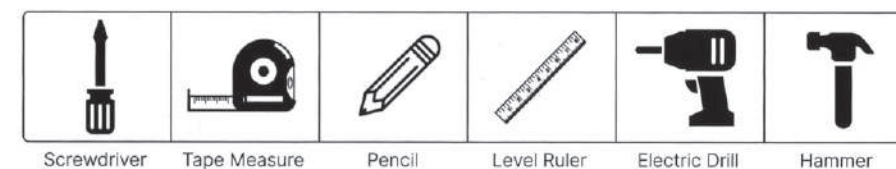
USB Port for charging the electronic advices, like mobile phone.

Connect the power to use LED Mirror lights. Disconnect the power to off LED Mirror lights.

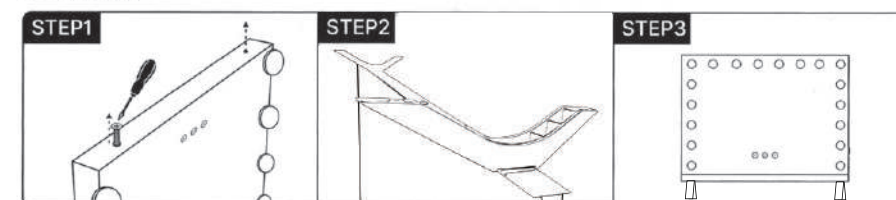
05

INSTALLATION STEPS

Preparation Tools (Not Included) :



Desktop

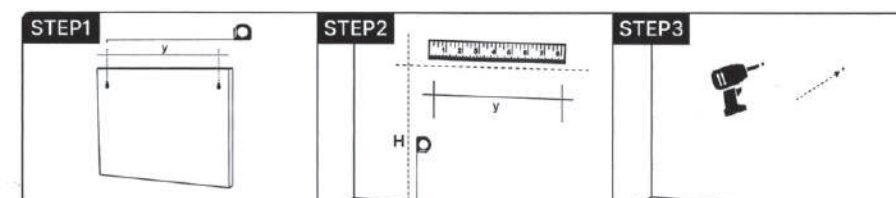


Unscrew the screws at the bottom of the mirror.

Align the holes on the base and the bottom of the mirror, and tighten the screws.

Installation is completed.

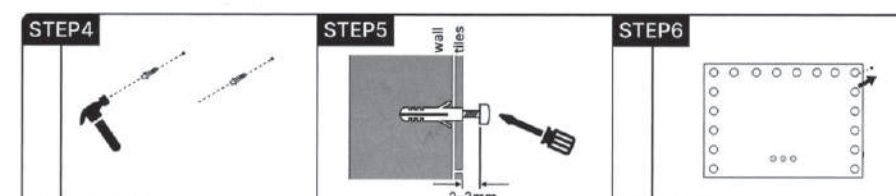
Wall-mounted



Use tape to measure the distance between the two hooks.

Use pencil to draw parallel lines on the wall, The intersection is the punch position.

Use electric drill to punch holes at the intersection.



Use hammer to drive the expansion tube into the hole

Use screwdriver to screw the screw into the expansion tube.

Hang up the mirror, installation is completed.

06