

ASSEMBLY INSTRUCTION

SELF ASSEMBLY

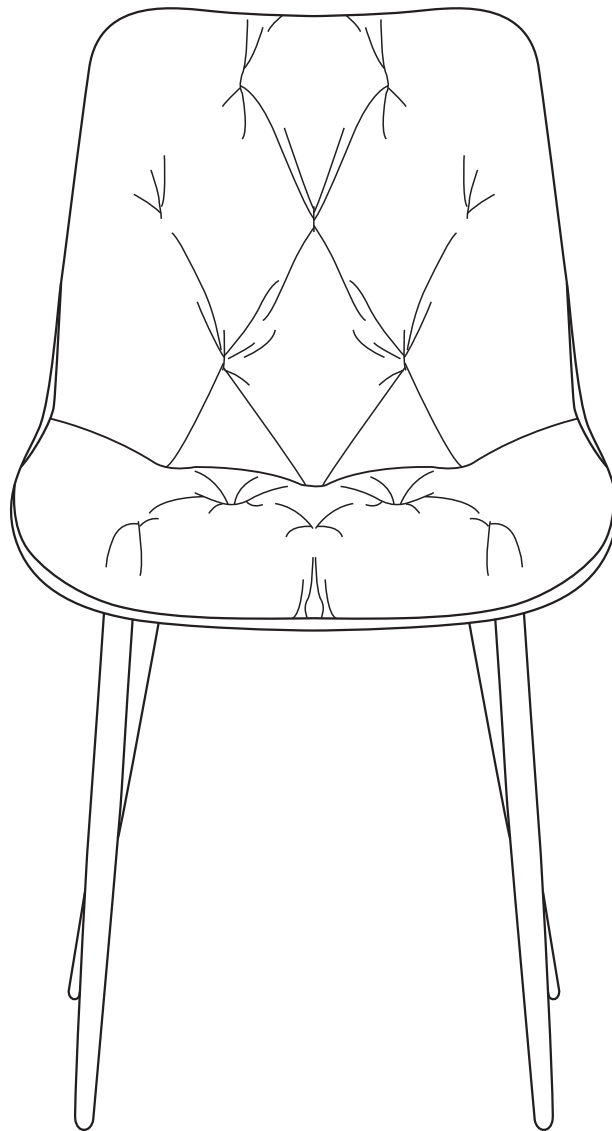


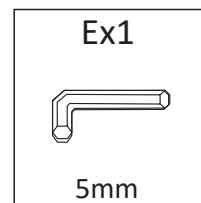
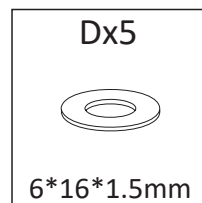
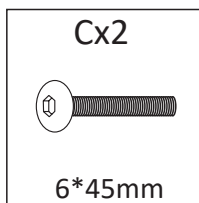
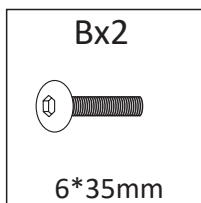
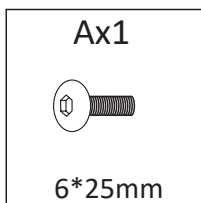
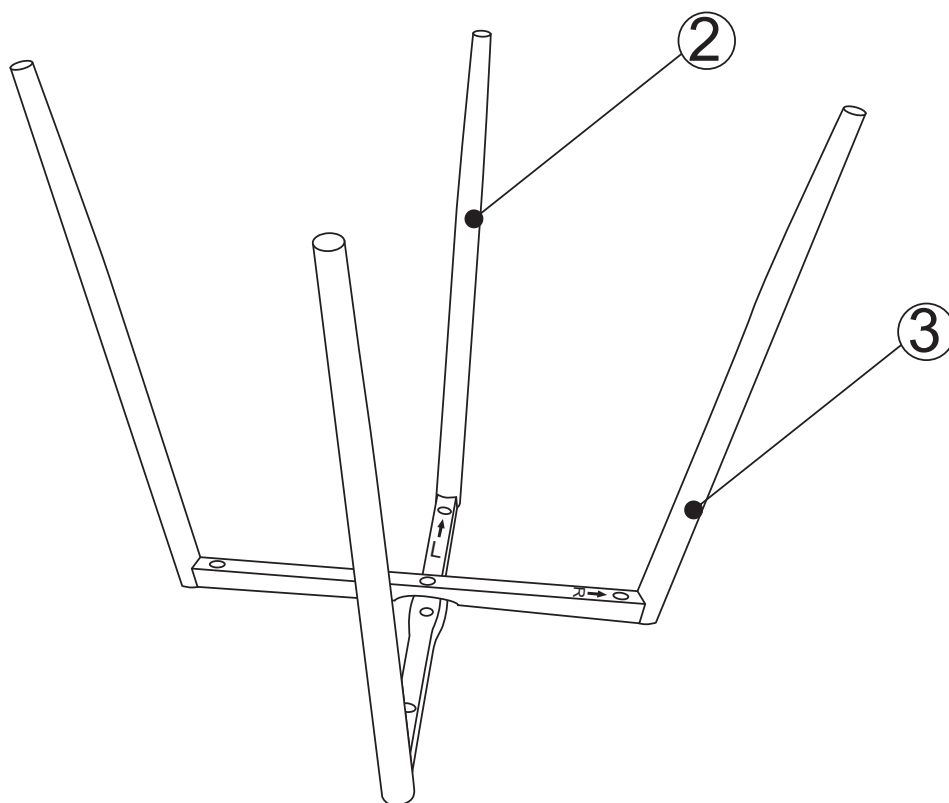
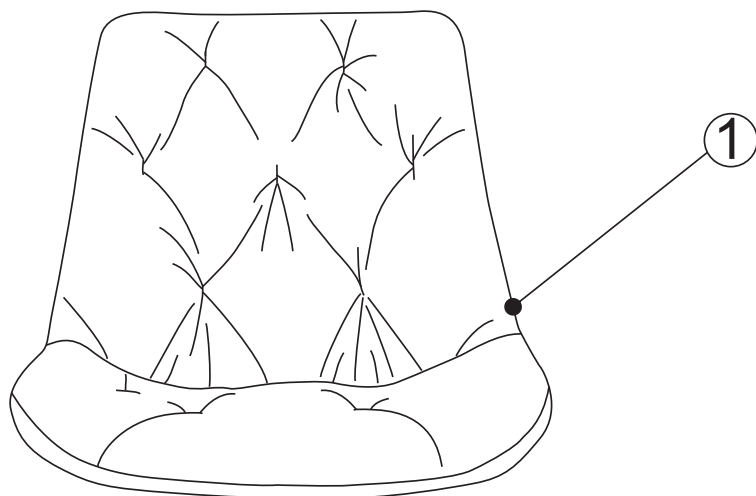
1 Person build
Estimated build time
15 min



CAUTION!

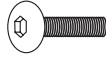
It is the responsibility of the persons assembling the furniture to properly install all components and hardware as specified in these instructions. Please follow strictly the order of assembly shown in these instructions.





1

Ax1



6*25mm

Dx1

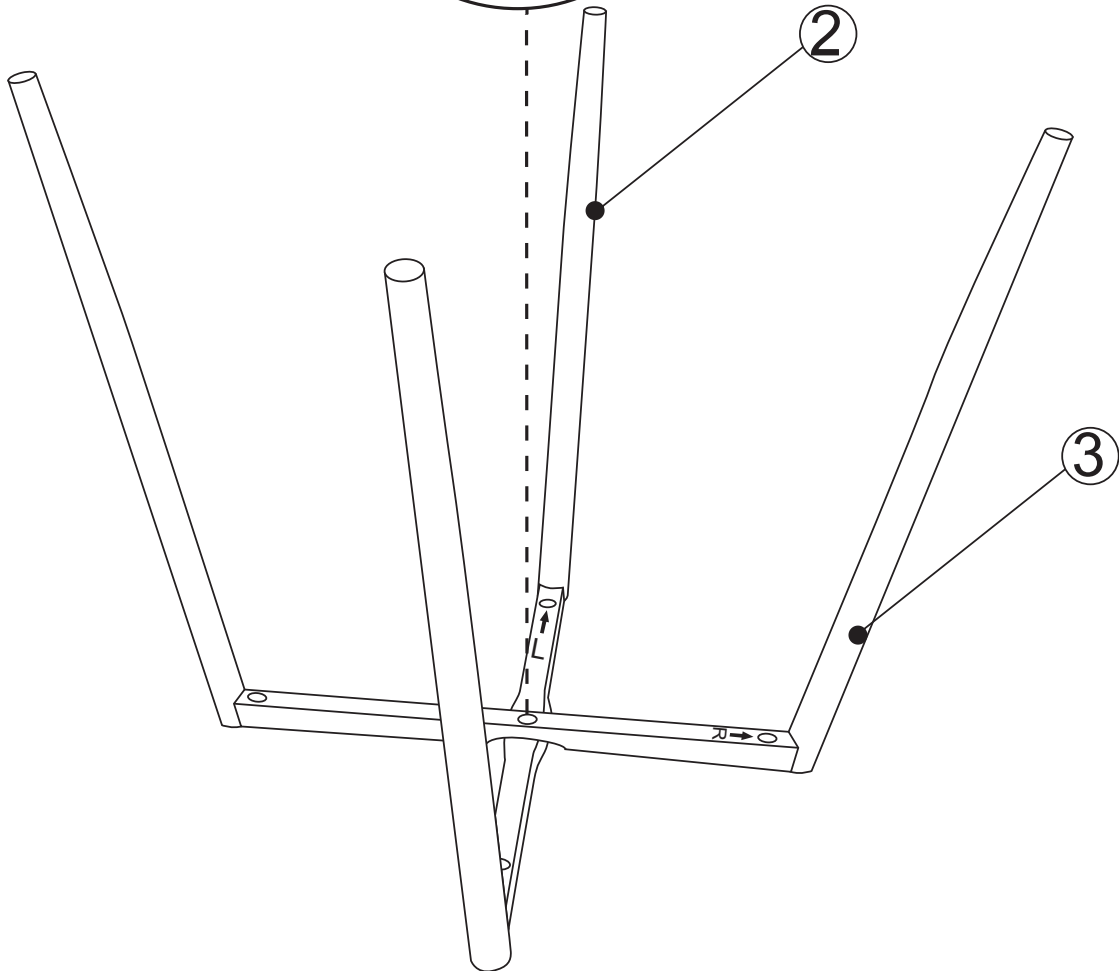
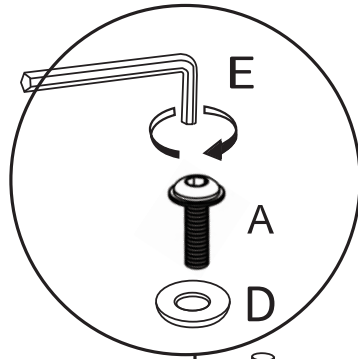


6*16*1.5mm

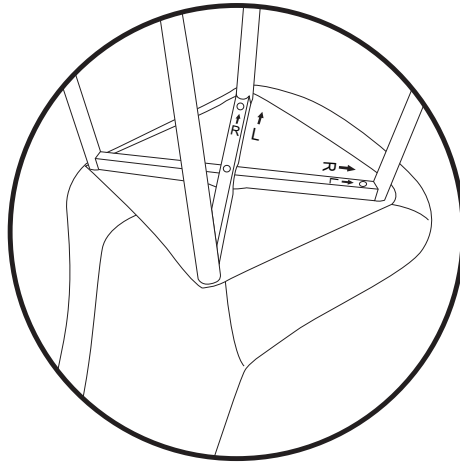
Ex1



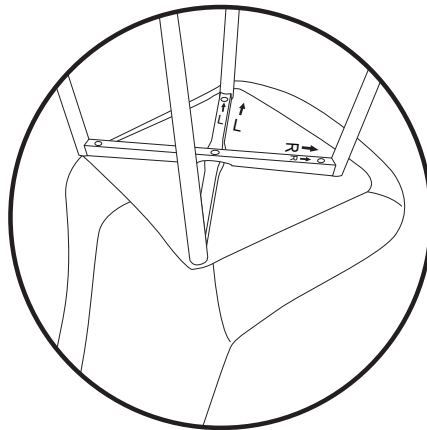
5mm



COMMON ERRORS



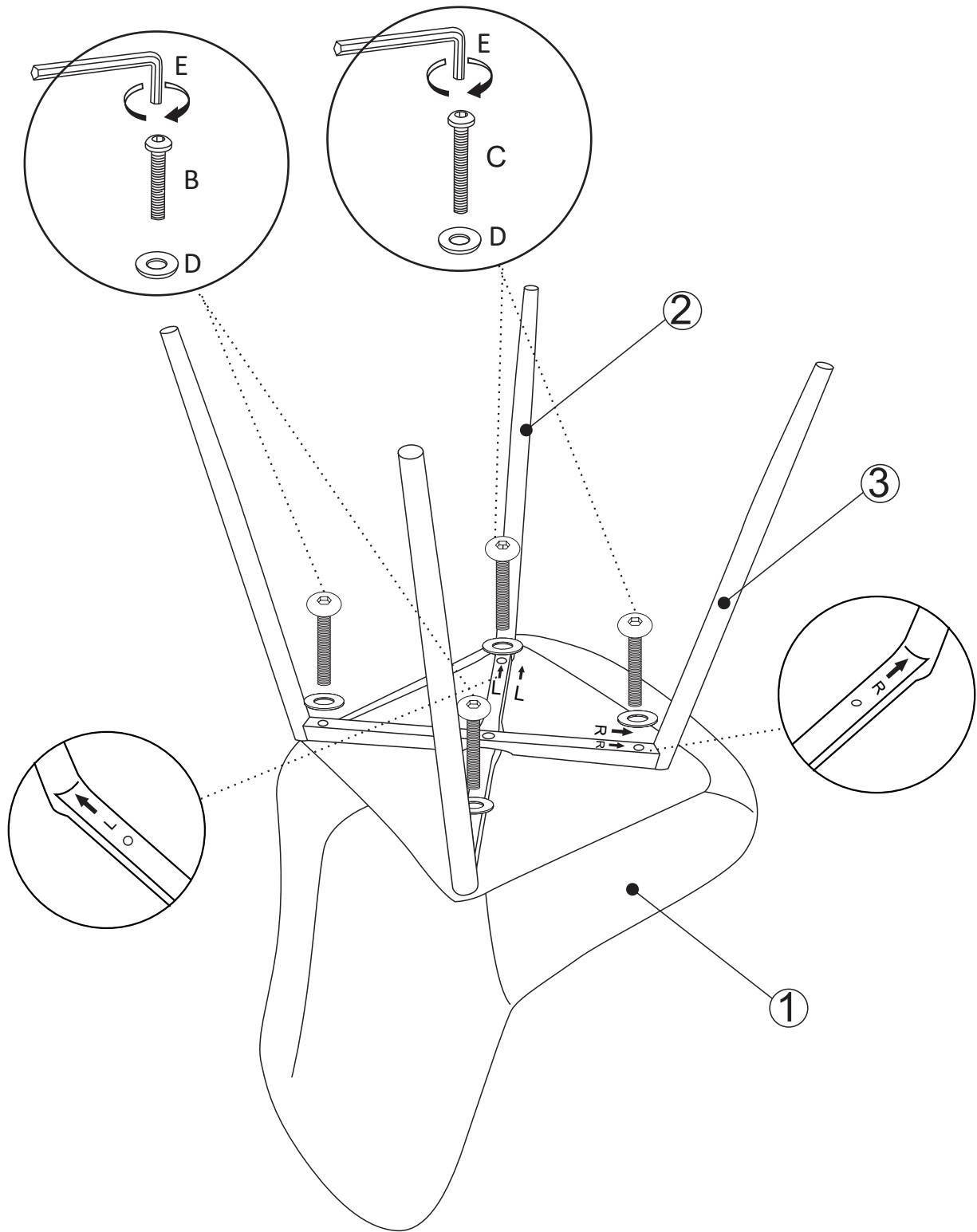
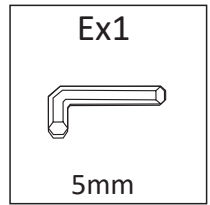
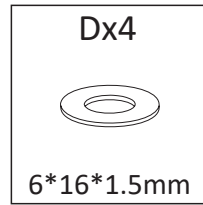
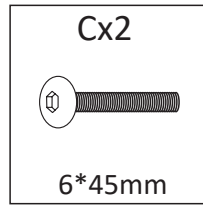
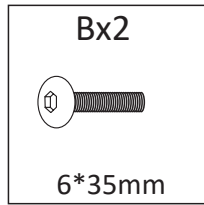
CORRECT



IMPORTANT: CHAIR LEG ALIGNMENT GUIDE

- 1. Fixed Positions (L/R)** Locate the "L" (Left) and "R" (Right) markings on the chair legs. These legs **must be placed in their fixed, designated positions** as shown in the assembly diagram. **Do not swap or interchange the "L" and "R" legs.**
 - 2. Directional Alignment** Each leg features an engraved arrow next to the L/R mark. During assembly, **ensure both arrows point directly towards the FRONT EDGE of the seat.**
- ⚠ CAUTION:** Failure to follow these alignment steps will lead to **structural instability**. In severe cases, incorrect installation may result in the **chair legs breaking** during use.

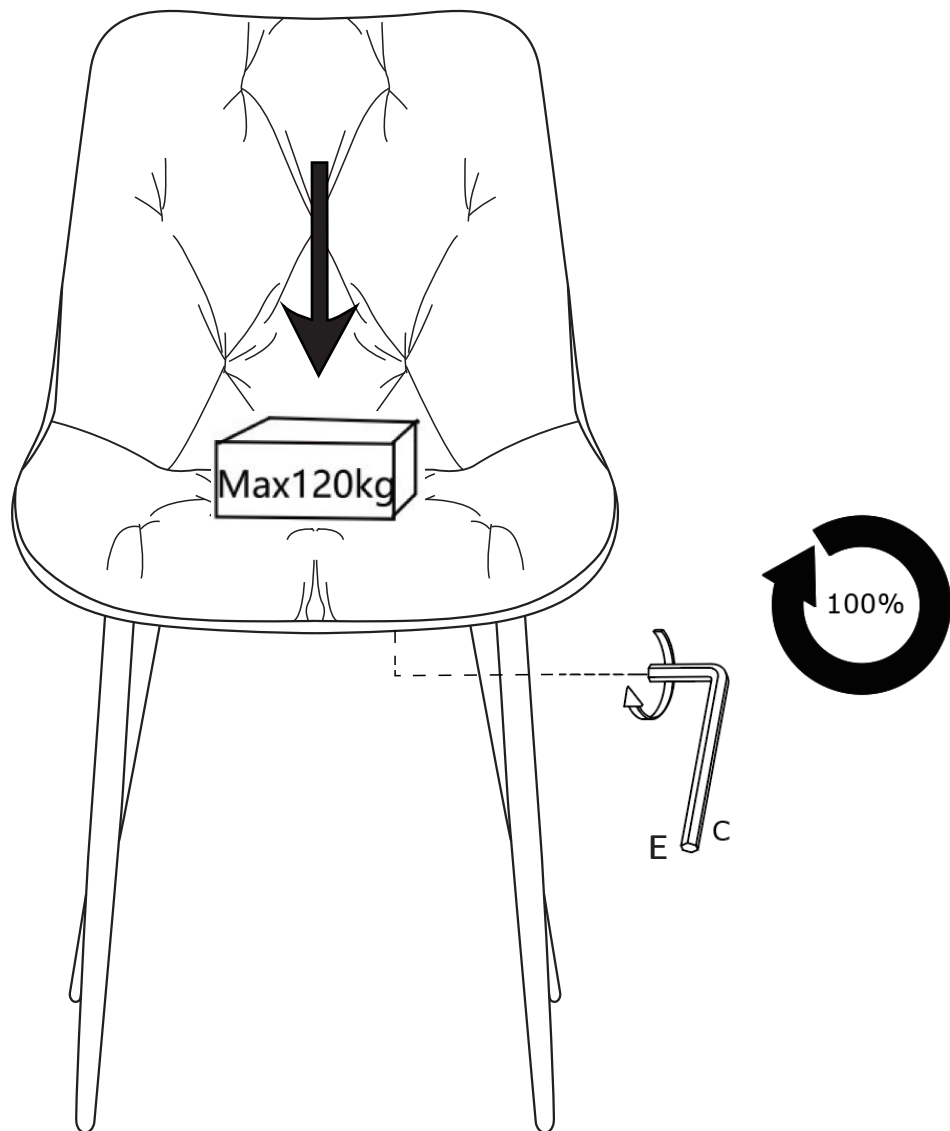
3



The "L" "R" marks on the leg should be in the same position as marks on seat. Wrong installation might cause the chair leg broken

Before fully assembling all parts, make sure to tighten all screws only to 80% of their final tightness. Do not over-tighten at this stage.

4



Turn the chair over and position it correctly. Adjust all legs so they rest evenly on the floor, then slowly tighten the screws. During this process, gradually tighten the screws while adjusting the legs for balance until all the screws are securely tightened.