




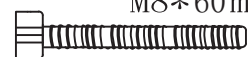






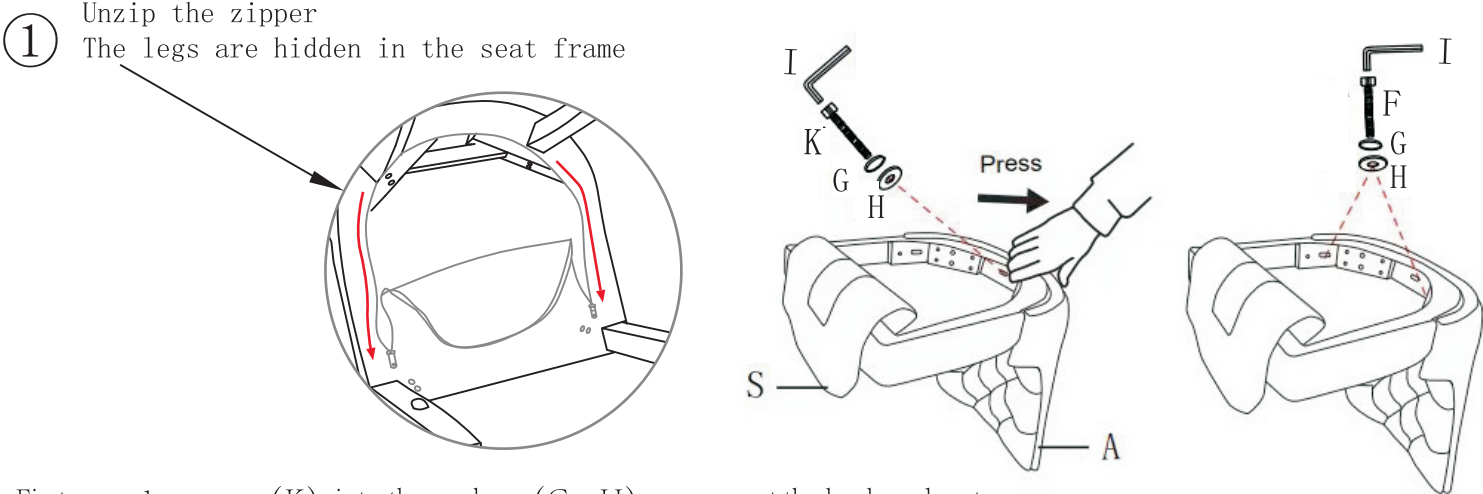


ASSEMBLY INSTRUCTIONS

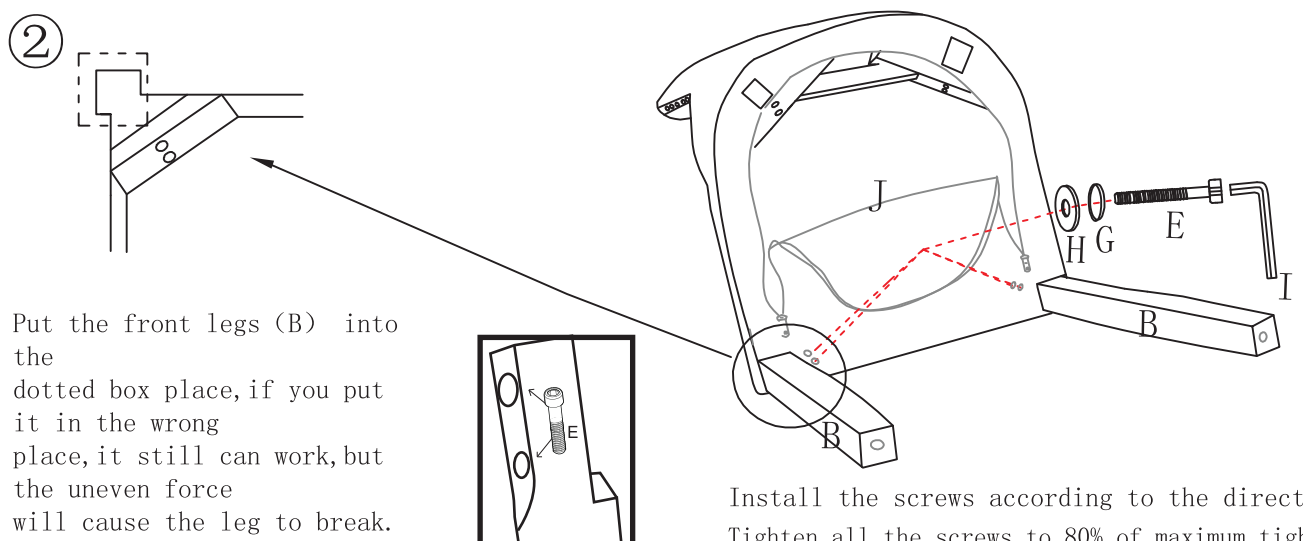
Ax1	
	Back
Jx1	
	Seat
Bx2	
	Front leg
Cx2	
	Rear leg
Dx2	
	Adjust cap
Ex4	 M8*60mm
	Screw
Fx6	 M8*50mm
	Screw
Gx11	 M8
	Spring washer
Hx11	 M8*22mm
	Flat washer
Ix1	 M8
	Allen key
Kx1	 M8*55mm
	Screw
Lx1	

① Unzip the zipper
The legs are hidden in the seat frame



First, use 1pc screw (K) into the washer (G, H) , connect the back and seat
Finally, use 2pcs screw (F) into the washer (G, H) ,connect the two sides

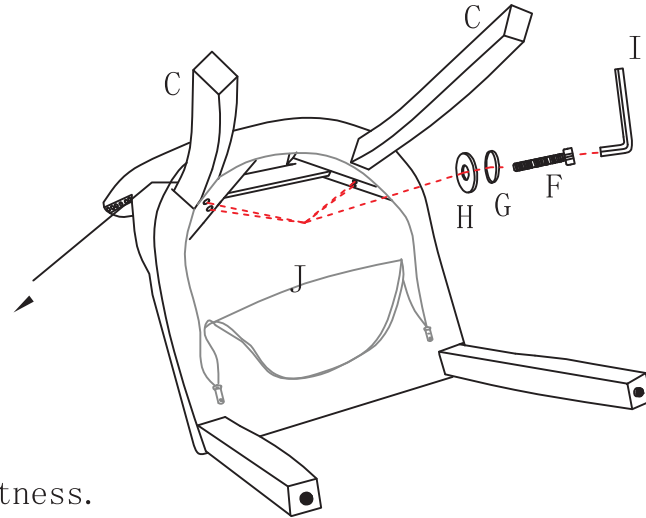
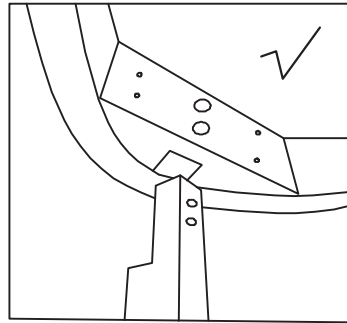
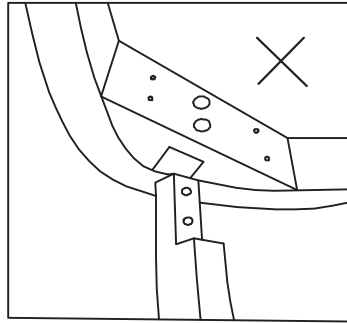
②



Put the front legs (B) into the dotted box place, if you put it in the wrong place, it still can work, but the uneven force will cause the leg to break.

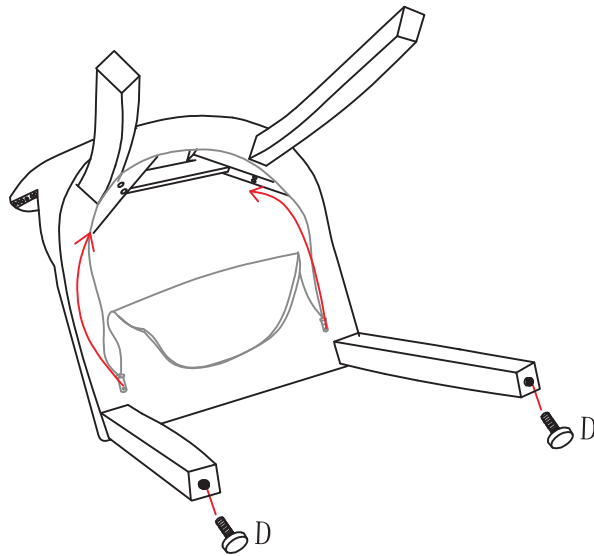
Install the screws according to the direction by the arrows.
Tighten all the screws to 80% of maximum tightness.

③



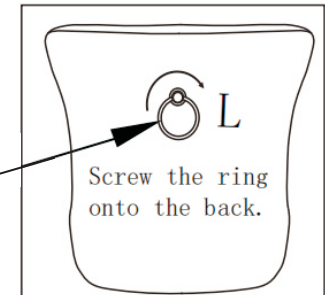
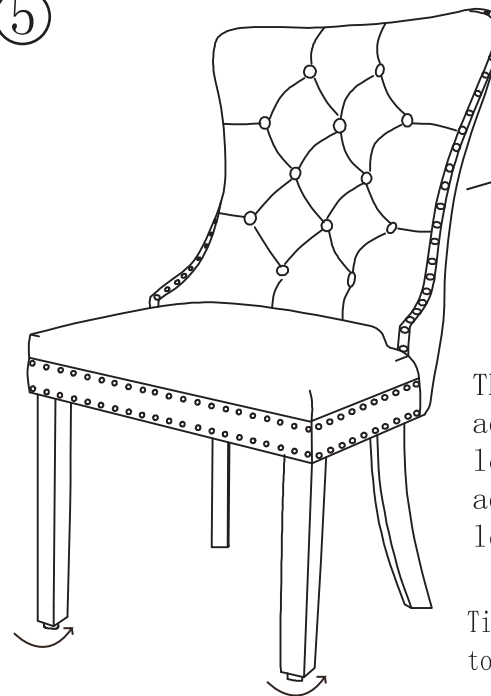
Tighten all the screws to 80% of maximum tightness.

④



Close the zipper of bottom Non-Woven fabric.
Tighten all the screws to 100% of maximum tightness.

⑤



Screw the ring L onto the back.

There are 2 small adjusters on the front legs , ensure these are adjusted so the chair sits level.

Tighten one and loosen the other. to adjust to level.

WARNING:
DO NOT STAND ON THE PRODUCT, DO NOT USE THIS PRODUCT AS A STEP LADDER.
DO NOT USE THIS PRODUCT UNLESS ALL BOLTS, SCREWS AND KNOBS ARE FIRMLY SECURED.
PLEASE DO NOT USE KNIFE TO OPEN ANY PARTS OF THE BOX OR PRODUCT.