

3	Accessory Bag	pc	1		
Tools Bag					
No.	Name	Qty	No.	Name	Qty
1	Inner Hexagon spanner 6mm	1	8	Audio cable	1
2	Inner Hexagon spanner 5mm	1	9	Screws M8*22	4
3	Combination wrench	1	10	Screws M8*45	2
4	Safety Key	1	11	Non-slip stickers(option)	2
5	Silicone oil	1	12	Nut M8	2
6	User's manual	1	13	Screw M8*85	2
7	MP3 Cable(option)	1			

2. Security Precautions and Warnings

Notice: Please read the instructions carefully before use.

- ◆ Indoor using and storing the treadmill, avoid dampness, and can not be spilled by water.
- ◆ Please wear suitable clothes and sneakers before exercise. Prohibited to exercise on the treadmill barefoot.
- ◆ High power plug must be grounded, electric outlet should have a dedicated circuit, do not share with other electrical equipment.
- ◆ Keep children away from the machine to avoid accidents.
- ◆ Avoid too long time and overload operation, otherwise will cause motor and controller damaged, and will accelerate the deterioration of bearing, running belt and running board. Should maintain machine on a regular basis.
- ◆ Keep machine away from dust to avoid strong static.
- ◆ Please cut the electric power off after using.
- ◆ Please maintain good ventilation when running.
- ◆ Please clamp security lock cable on your clothing to make sure the machine stops at emergency condition.
- ◆ If you feel not very well when using this machine, please stop and consult a doctor.
- ◆ Silicone oil must be kept away from children after use.
- ◆ If power cord is damaged, please contact our qualified maintenance personnel

for service rather than disassemble it at your own discretion.



Forbidden

- ◆ Don't use the machine in the status of the shell break in or break off (the internal structure exposed) or under the condition of welding-parts may fall off.
---- Otherwise an accident or injury may happen.
- ◆ Don't jump up and down in the process of movement.
---- May be injuries caused by the fall.
- ◆ Don't keep machine in or near moist space such as the bathroom.
- ◆ Don't place machine in direct sunlight, or high temperature places such as near a stove or a heating appliance .
----Otherwise may cause the leakage and burst into flames.
- ◆ Don't use when the power cord is damaged or power plug pin is loose.
----Otherwise will lead to an electric shock, short circuit or fire.
- ◆ Don't damage or bent by force or reverse the power cord. Don't place heavy objects on machine, don't clamp the power line.
----Otherwise will cause fire or get an electric shock.
- ◆ Don't use machine for more than 2 people at the same time, and don't get close to the machine when it is in use.
---- Or it may be an accident or injury due to falls.
- ◆ People who can't express their consciousness or can't operate the machine by themselves cannot use the treadmill.
----May occur accident or injury.
Avoid drinking water or pouring water when operation.
---- May cause electric shock and fire. Forbidden!
- ◆ People who seldom do exercise shouldn't suddenly do intense exercise.
- ◆ After eating or when feel tired, do not use machine.
---- May lead damage to your health.
- ◆ This product is suitable for family use, does not apply to schools, gymnasium and so on. ----
There is the danger of injury.
- ◆ Don't use when hard objects are in pants pockets.

----May cause accident or injury.

- ◆ Don't use when the power plug is on the needle, garbage, or water.

----May cause electric shock, short circuit, or fire. Do not use with wet hands!

- ◆ when not in use, pull out the power plug from the socket.

----The dust and moisture can age the insulation, and result in leakage fire.



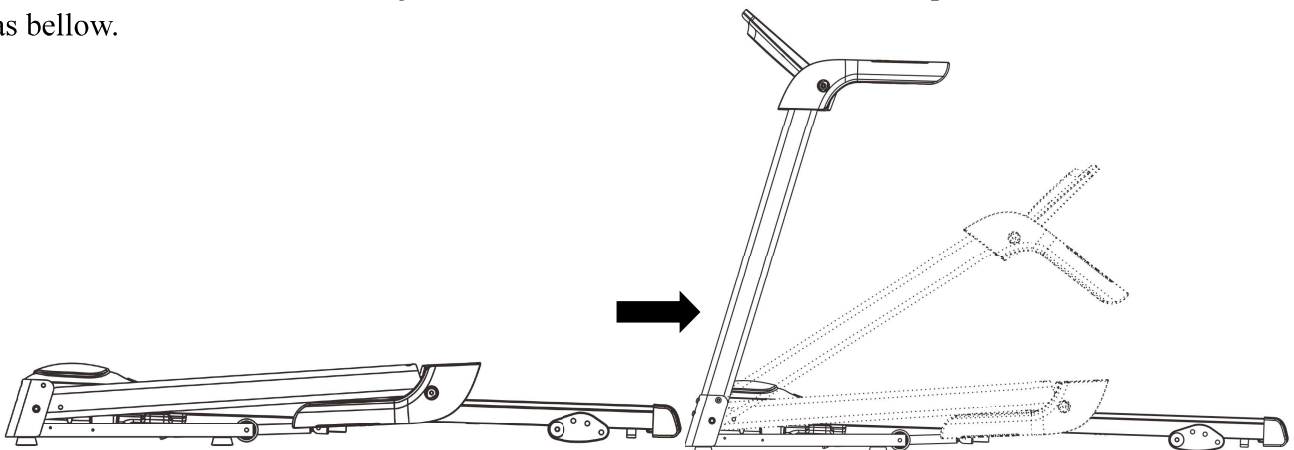
Ground protection system!

- ◆ This product must be grounded. If the machine is dysfunctional, grounding will provide a good channel for electric current, in order to reduce the electric shock risk.
- ◆ This product is equipped with power plug with grounding conductor and plug. Completely insert the plug to standard socket.
- ◆ If the equipment grounding conductor's connection is improper, it will cause electric shock. If you have doubts about whether your product is grounded correct or not, please entrust professional to check.
- ◆ Please use the socket which has the same shape with the grounding plug. Don't use plug adapter.

3. Installation Instructions

When installing, simple fix all screws first, then tighten screws when the installation of frame is done.

1. Put the machine on the flat ground and set the column and console up with the direction shown as bellow.



2. Use 5# inner hexagon wrench, screws M8*45 to lock the columns onto the base with lock nuts M8, then use screws M8*22 to fix the column on the base.