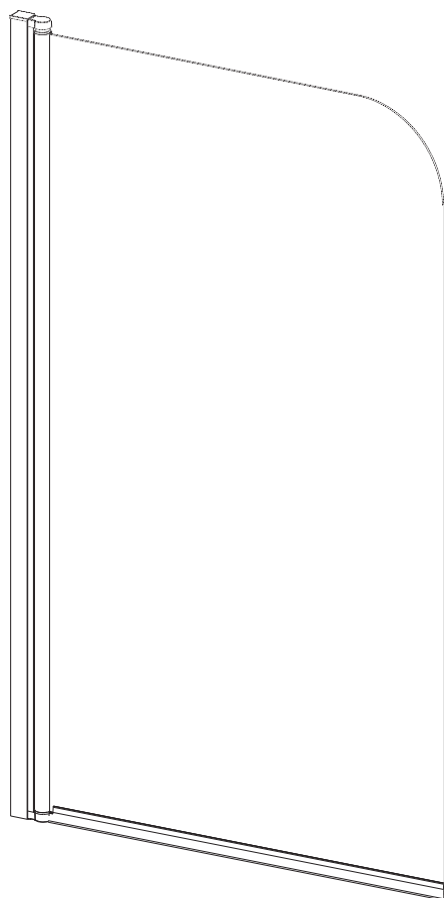


ARKELL Bath screen

B&Q is issuing a safety notice for the following products.



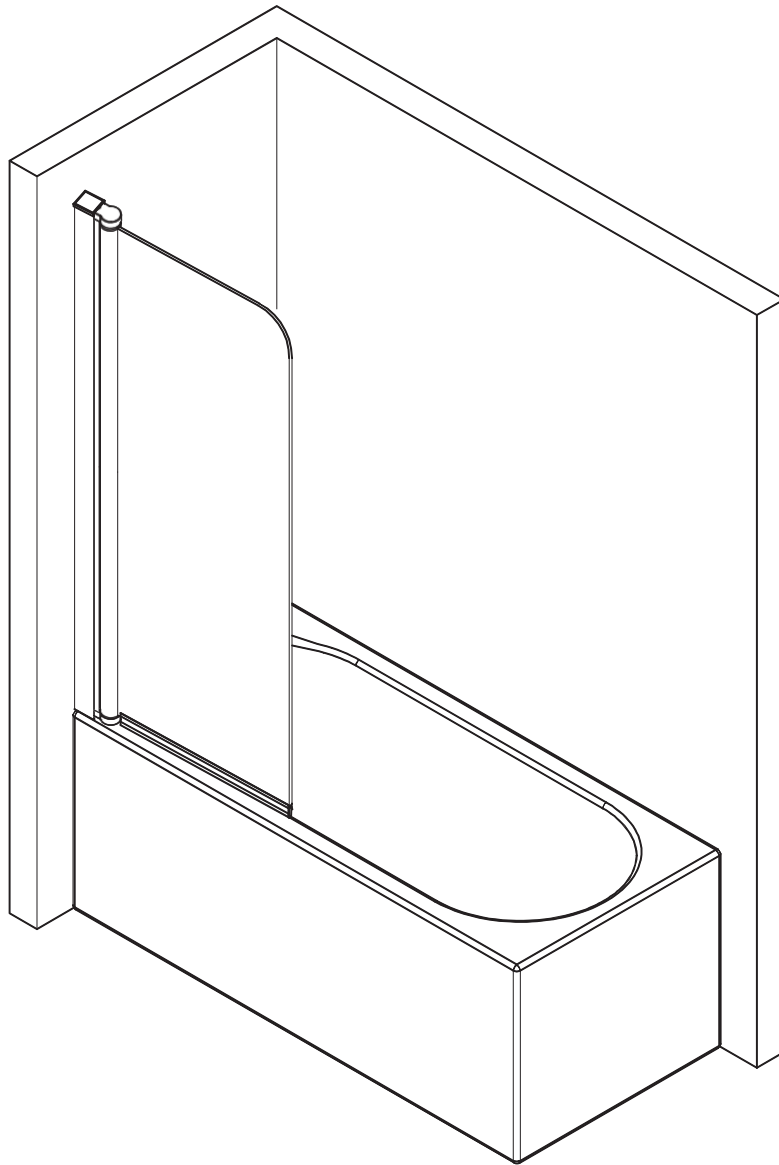
Barcode	Product Description
3663602769521	WFS BTH SCR N ARKELL 1 PNL 4MM WHT PRNT
3663602769538	WFS BTH SCR N ARKELL 1 PANEL 4MM POLI CLR

Please use the guidance on the following pages to carefully remove the bath screen if required. Please note the screen should only be removed by a competent person (this is a two-person task). The batch code of the bath screen will determine if the product is in scope of the notice and therefore needs replacing.

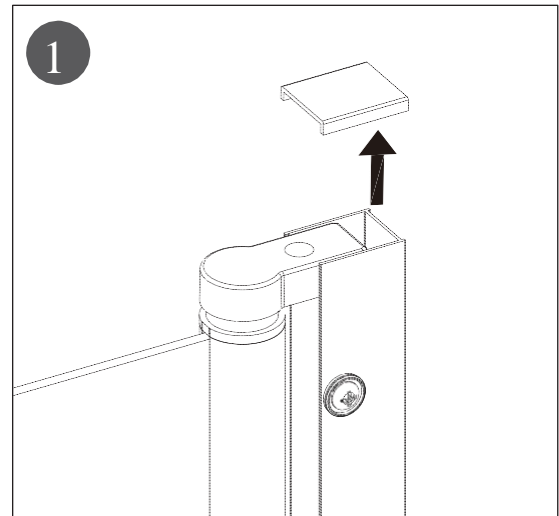
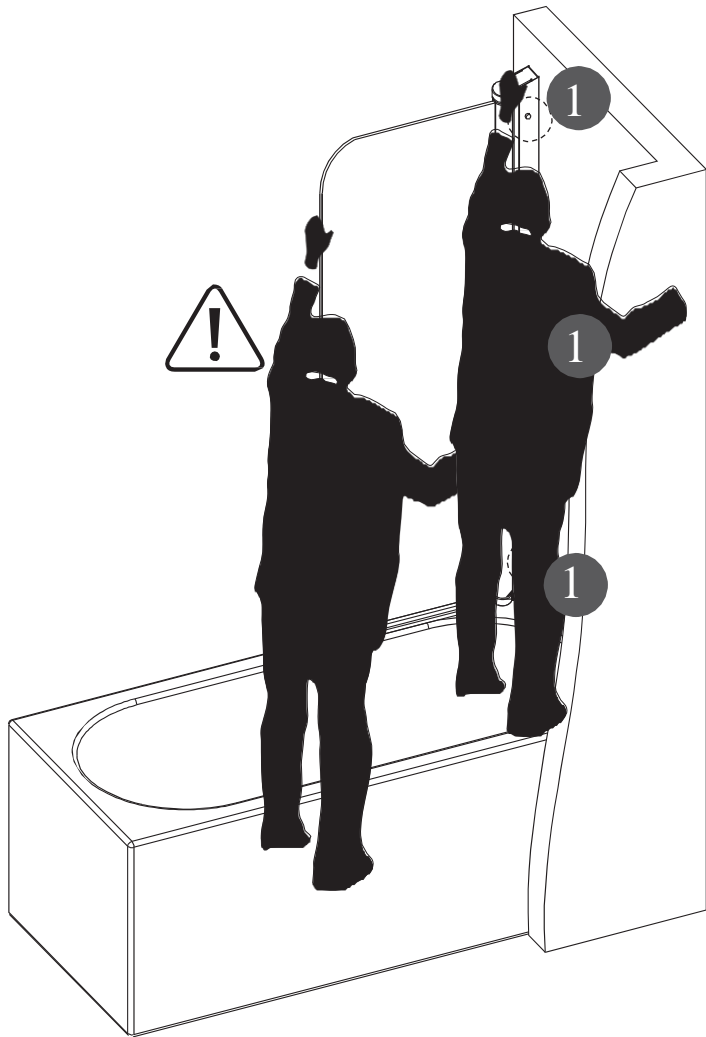
Procedure to remove and check bath screen from item

3663602769521

3663602769538



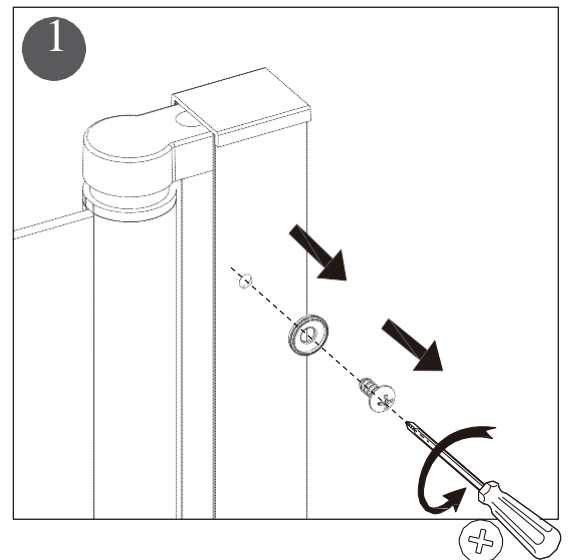
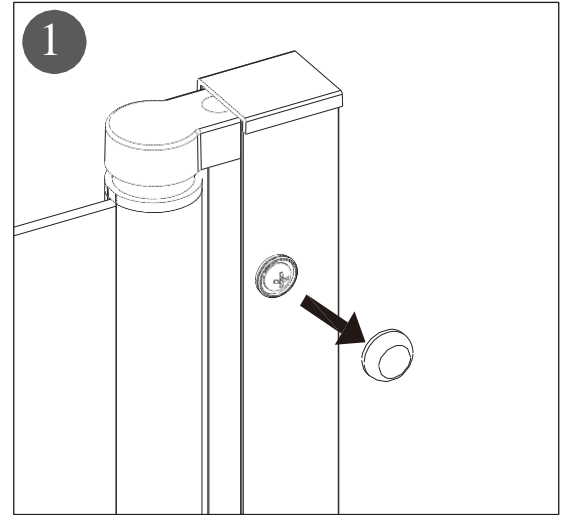
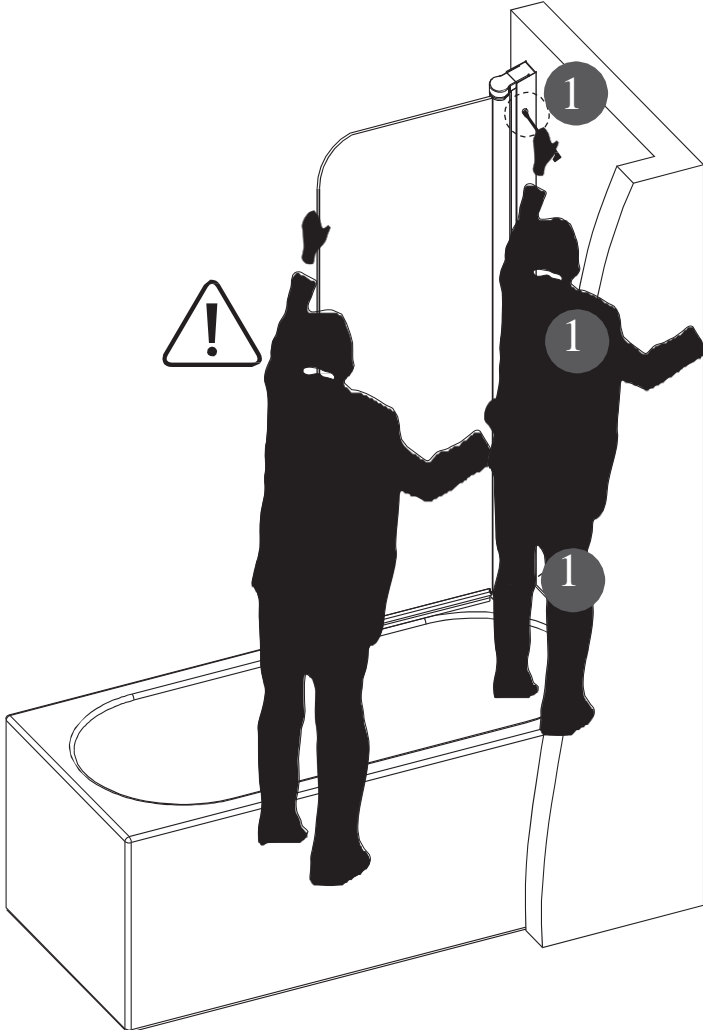
Step1: Remove the cover from the top hinge rail





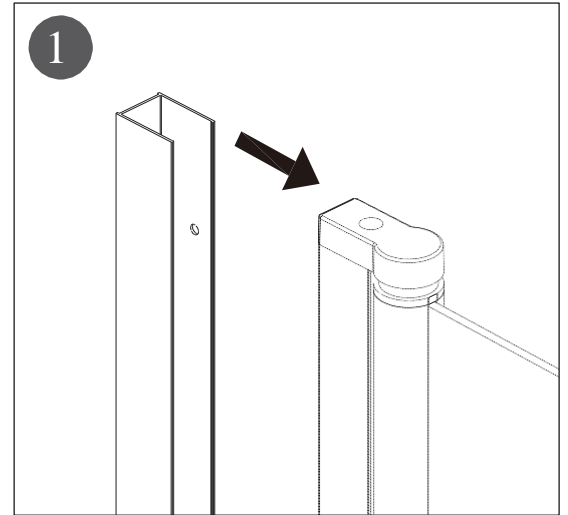
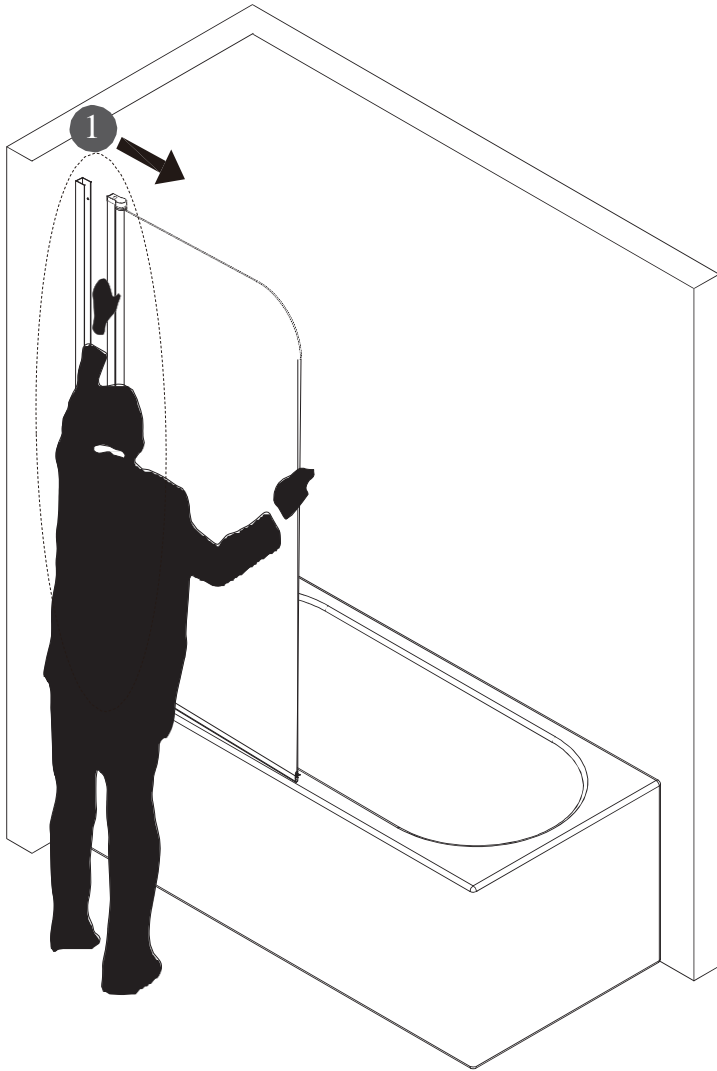
Step2: Remove the decorative cover

Warning: heavy glass. One person must support the glass whilst another removes the securing screw.



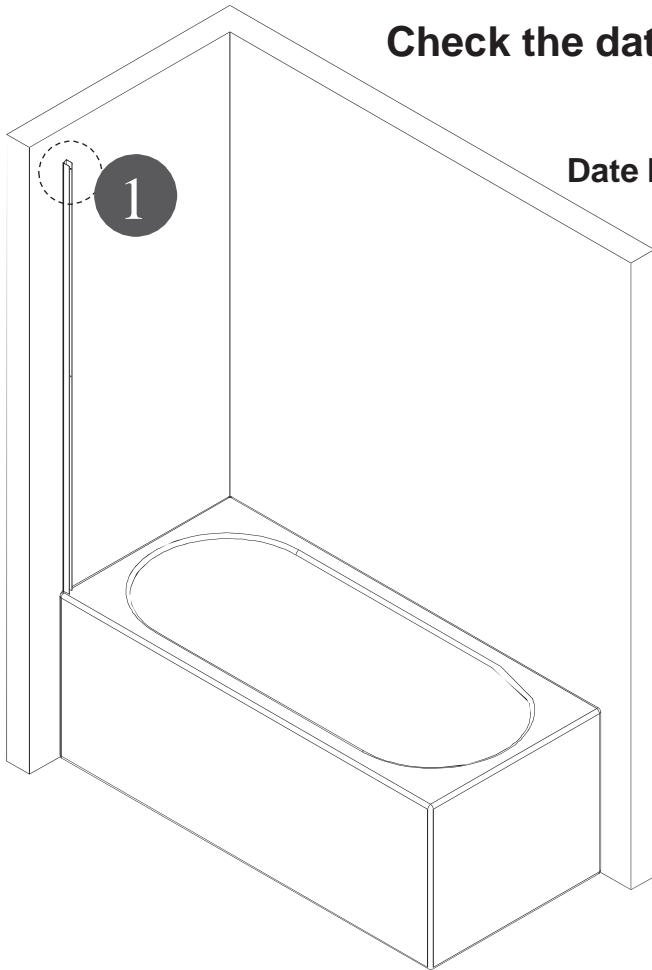
Step3:

Warning: heavy glass. Take care when removing the glass profile. Team lift for your safety.

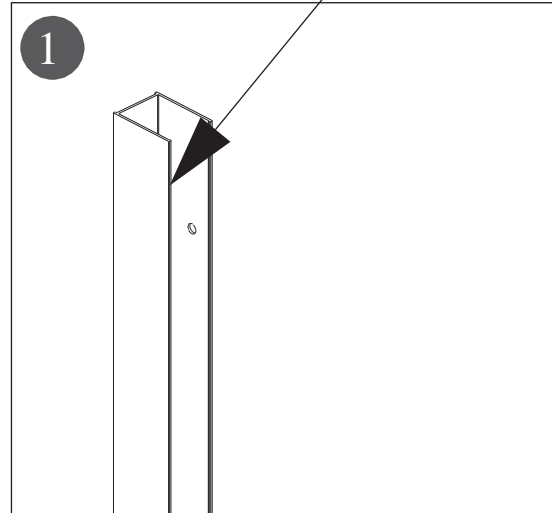
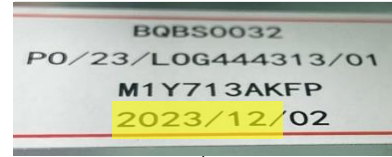


Step4:

Check the date label on the wall profile top or bottom.

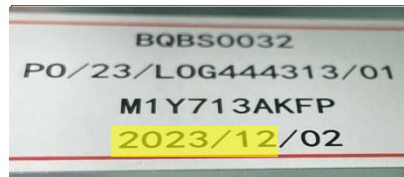
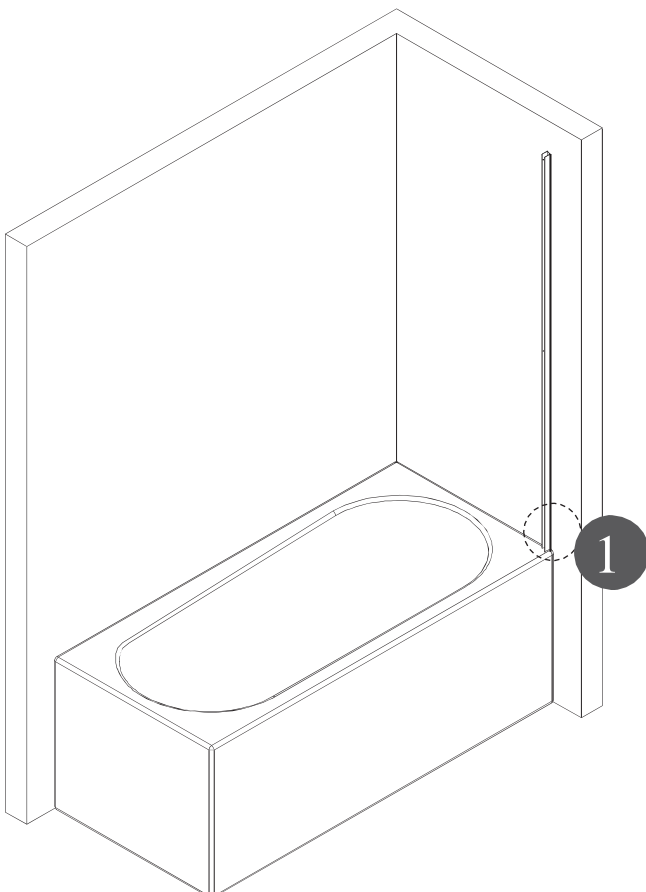


Date label example

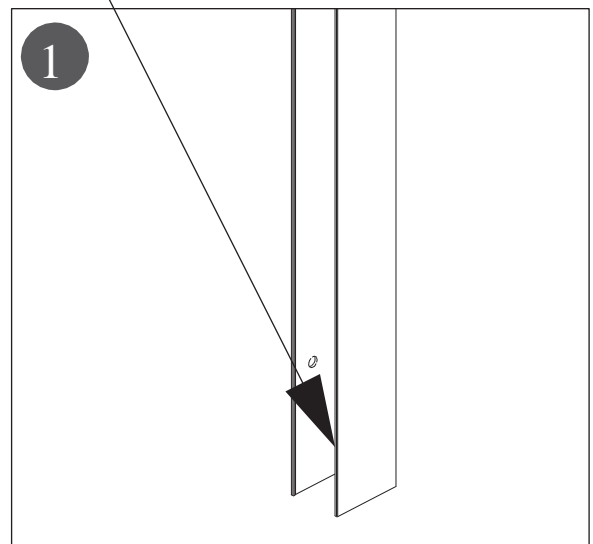


If code matches one of the groups in the Appendix, please contact B&Q on the helpline for further support.

If code is not one of the groups in the Appendix carefully refit by reversing above steps and confirm product is safe to B&Q using the helpline.



Date label example



Appendix

Date Code (YYYY-MM)
2023-10
2023-11
2023-12
2024-01
2024-02